

# UC Irvine

## UC Irvine Previously Published Works

### Title

DermaVision

### Permalink

<https://escholarship.org/uc/item/8mz35921>

### Authors

Frazeur, Mitchell

Reyes, Alejandra

Im, Ashley

et al.

### Publication Date

2024-03-15

### Copyright Information

This work is made available under the terms of a Creative Commons Attribution License, available at

<https://creativecommons.org/licenses/by/4.0/>

Peer reviewed



# DermaVision

Team members: Ashley Im<sup>1</sup>, Alejandra Reyes<sup>1</sup>, Mitchell Frazeur<sup>1</sup>, and Hao Ngo<sup>1</sup>

Project Advisor: Elliot Botvinick, Ph.D.

<sup>1</sup>B.S. in Biomedical Engineering, Class of 2024

UCI Samueli School of Engineering  
University of California, Irvine

## Project Goal:

An estimated 10 million people in the United States experience domestic violence (DV) every year, with 4 out of 10 cases affecting people of color [1][2]. Law enforcement and healthcare providers visually inspect injuries and document bruising using a commercially available camera. While this method is highly effective on lighter skin tones, it fails to account for pigmentation levels on the skin (Figure 1).

Increased melanin concentrations make it more difficult to detect bruising on darker skin tones (Figure 2), which can lead to unreliable measurement and thus disparities in legal and medical outcomes. Without firsthand evidence to identify when the bruising event occurred, the age cannot be reasonably determined earlier than 18 hours [3][4].

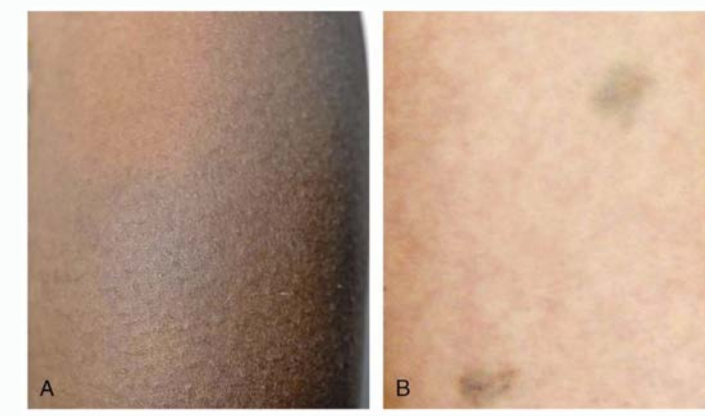


Figure 1. A. Contusion on dark skin (Massey-Martin rating of 6). B. Contusions on light skin (Massey-Martin rating of 1) [5]

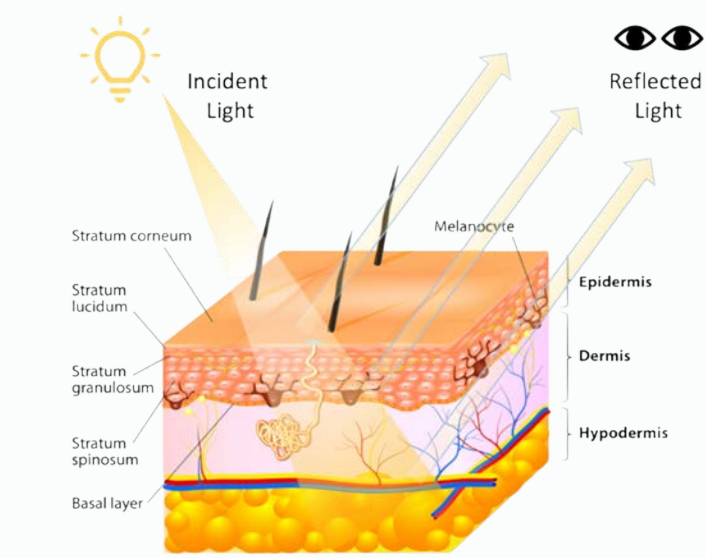


Figure 2. Melanocytes and the Layers of the Skin. [6]

## Objectives:

1. To develop a reliable imaging tool capable of detecting bruise injuries across all skin tones.
2. To incorporate a quantitative measurement of the age of the injury.

## Solution:

Employ multi-spectral imaging techniques to capture and process images across a wide range of wavelengths. This method generates a spectral signature or "fingerprint" of the chemical components of blood present in bruises (Figure 3).

As these components vary in concentration during the healing process of a bruise, the device can effectively detect bruise injuries regardless of skin tone, while also quantitatively determining bruise age.

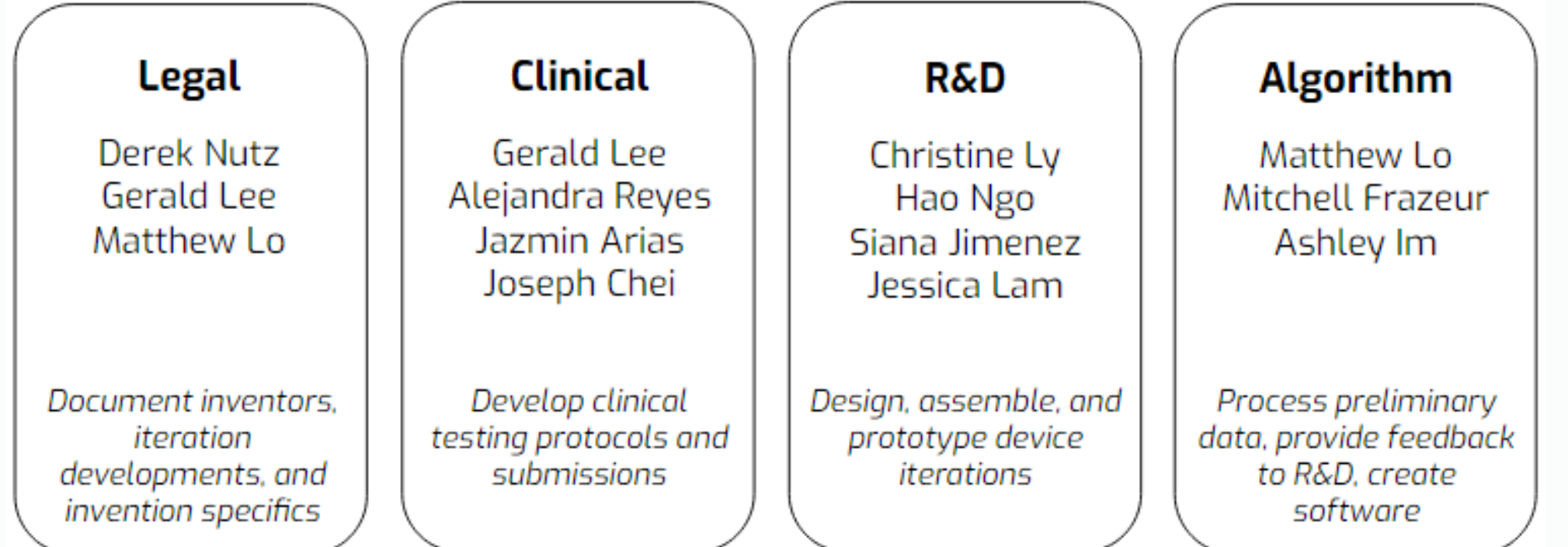


Figure 3. Variance in Bruise Chromophores [7]

## Team Organization Chart

Project Mentor: Elliot Botvinick, PhD

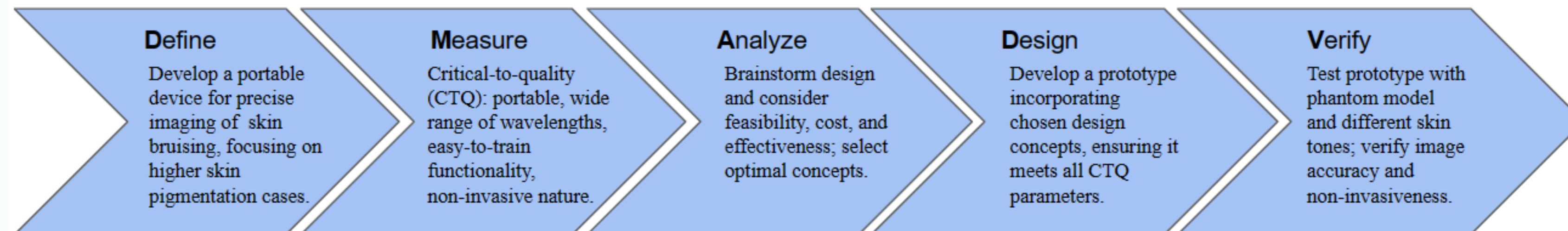
Project Managers: Christine Ly, Matthew Lo, Gerald Lee



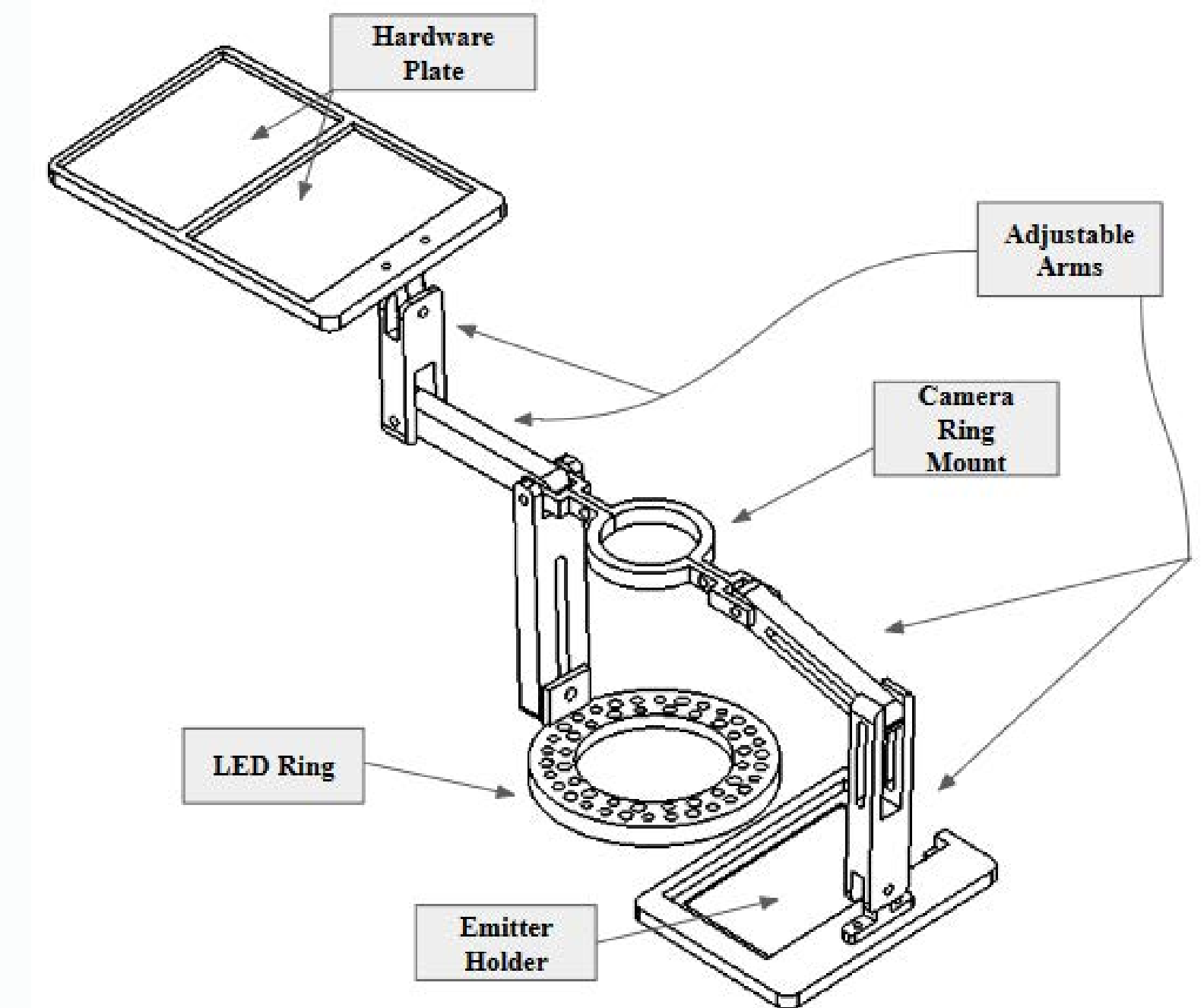
## Project Design and Device Validation/Verification Plans

FDA Standard: Class 1 Medical Device, CPC subclass A61b/0075, and 510(k) exempt  
In compliance with: ISO 14971, ISO 1099, IEC 60601

### DMADV



Once verified, the prototype will be validated through testing by imaging clinical patients in a hospital setting. Ensure that the prototype meets the criteria outlined in the CTQs. Thoroughly assess the performance against the intended objectives using real-world clinical data. Use the results to inform any necessary refinements or improvements before making decisions about scaling up the design for production.



## Timeline

Activity	Fall 2023										Winter 2024										Spring 2024										
	W1	W2	W3	W4	W5	W6	W7	W8	W9	W10	W1	W2	W3	W4	W5	W6	W7	W8	W9	W10	W1	W2	W3	W4	W5	W6	W7	W8	W9	W10	
Test images with various LED setups																															
Process/compare initial image sets																															
Develop clinical device: CAD modeling, circuit design, prototyping																															
Develop smartphone attachable miniaturized device																															
Submit IRB proposal for imaging human subjects																															
IRB revisions, clinical protocol																															
Collect clinical bruise image sets, verify clinical device																															
Process clinical image sets																															
Develop algorithm that correlates spectral data to bruise marker																															
Supplemental algorithms, developing time-to-injury correlation																															
Conduct customer discovery interviews with law enforcement personnel																															

## Acknowledgements

Dr. Christine King  
Dr. Tibor Juhasz  
Sina Javadzadeh No  
Jiixin Luo

## Contact Information

Dr. Elliot Botvinick: ebotvini@uci.edu  
Mitchell Park Frazeur: mfrazeur@uci.edu  
Hao Ngo: chngo2@uci.edu  
Ashley Im: ashleyji@uci.edu  
Alejandra Reyes: reyeschm@uci.edu

BEAMSLAB

## References

- [1] "Domestic Violence by State 2023." World Population Review, 2023. <https://worldpopulationreview.com/state-rankings/domestic-violence-by-state>
- [2] Smith, S.G., Chen, J., et al. "The National Intimate Partner and Sexual Violence Survey (NISVS): 2010-2012 State Report." Centers for Disease Control and Prevention, April 2017. <https://www.cdc.gov/violenceprevention/pdf/NISVS-StateReportBook.pdf>
- [3] Huecker, M.R., King, K.C., Jordan, G.A., et al. "Domestic Violence." National Institutes of Health, Jan. 2023. <https://www.ncbi.nlm.nih.gov/books/NBK499891/>
- [4] Langlois, N.E., Gresham, G.A. "The aging of bruises: a review and study of the colour changes with time." Forensic Science International, vol. 50, no. 2, p. 227-38, Sep. 1991. doi: 10.1016/0379-0738(91)90154-b <https://pubmed.ncbi.nlm.nih.gov/1748358/>
- [5] Santiago, Christian J., et al. "The Impact of Skin Color on the Recognition of Blunt Force Injuries." The American Journal of Forensic Medicine and Pathology 43, no. 3 (September 2022): 220. [Online] Available at: <https://doi.org/10.1097/PAF.0000000000000754>.
- [6] Scaife, Katherine N., Nancy R. Downing, Nesibe S. Kutahyaloglu, Daniel J. Sheridan, Neil E. Langlois, and Matthew J. Hayat. 2022. "Predicting Alternate Light Absorption in Areas of Trauma Based on Degree of Skin Pigmentation: Not All Wavelengths Are Equal." Forensic Science International 339 (October): 111410. <https://doi.org/10.1016/j.forsciint.2022.111410>.
- [7] Grossman, S. E., Johnston, A., Vanezis, P., & Perrett, D. (2011). Can we assess the age of bruises? An attempt to develop an objective technique. Medicine, science, and the law, 51(3), 170-176. <https://doi.org/10.1258/msl.2011.010135>