

UC Irvine

UC Irvine Previously Published Works

Title

Measurement of the Radiative Width of the η' in Two-Photon Interaction at SPEAR

Permalink

<https://escholarship.org/uc/item/8bk9806k>

Journal

Physical Review Letters, 43(7)

ISSN

0031-9007

Authors

Abrams, GS
Alam, MS
Blocker, CA
[et al.](#)

Publication Date

1979-08-13

DOI

10.1103/physrevlett.43.477

Copyright Information

This work is made available under the terms of a Creative Commons Attribution License, available at <https://creativecommons.org/licenses/by/4.0/>

Peer reviewed

PHYSICAL REVIEW LETTERS

VOLUME 43

13 AUGUST 1979

NUMBER 7

Measurement of the Radiative Width of the η' in Two-Photon Interaction at SPEAR

G. S. Abrams, M. S. Alam, C. A. Blocker, A. M. Boyarski, M. Breidenbach, C. H. Broll,^(a)
D. L. Burke, W. C. Carithers, W. Chinowsky, M. W. Coles, S. Cooper, B. Couchman,^(b)
W. E. Dieterle, J. B. Dillon, J. Dorenbosch, J. M. Dorfan, M. W. Eaton,
G. J. Feldman, H. G. Fischer,^(c) M. E. B. Franklin, G. Gidal, G. Goldhaber,
G. Hanson, K. G. Hayes, T. Himel, D. G. Hitlin, R. J. Hollebeek,
W. R. Innes, J. A. Jaros, P. Jenni, A. D. Johnson, J. A. Kadyk,
A. J. Lankford, R. R. Larsen, D. Lüke,^(d) V. Lüth, J. F. Martin,^(e)
R. E. Millikan, M. E. Nelson, C. Y. Pang, J. F. Patrick,
M. L. Perl, B. Richter, J. J. Russel,^(f) D. L. Scharre,
R. H. Schindler, R. F. Schwitters, S. R. Shannon,^(b)
J. L. Siegrist, J. Strait, H. Taureg, V. I. Telnov,^(g)
M. Tonutti, G. H. Trilling, E. N. Vella, R. A. Vidal,
I. Videau, J. M. Weiss, and H. Zaccane

*Stanford Linear Accelerator Center, Stanford University, Stanford, California 94305, and Lawrence Berkeley
Laboratory and Department of Physics, University of California, Berkeley, California 94720*
(Received 22 May 1979)

Events of the type $e^+e^- \rightarrow e^+e^-\eta'$ (958) have been observed with the Mark II detector at SPEAR by detecting the decay mode $\eta' \rightarrow \rho^0\gamma$. From the observed cross section and known branching fractions of the η' is $\Gamma_{\gamma\gamma} = 5.9 \pm 1.6 \pm 1.2$ keV and the total width is $\Gamma = 300 \pm 90 \pm 60$ keV (statistical and systematic errors).

We report evidence for the production of η' mesons by the two-photon process

$$e^+e^- \rightarrow e^+e^-\eta' \text{ (958)}. \quad (1)$$

Previous experiments have identified lepton pairs^{1,2} and multihadronic events³ as coming from this process. The events reported here were found with the Mark II detector at the Stanford Linear Accelerator Center e^+e^- storage ring facility SPEAR through the decay mode $\eta' \rightarrow \rho^0\gamma$. The outgoing e^+ and e^- were not detected. The transverse momenta of these η' mesons are limited to very low values, their angular distribution is strongly peaked along the beam direction, and their total energy is much smaller than the beam energies. These kinematical features are

those expected for η' production by Reaction (1).

A schematic view of the Mark II detector is shown in Fig. 1. A particle that moves outward from the e^+e^- interaction region first traverses the 0.15-mm-thick stainless-steel vacuum pipe and two concentric 0.64-cm-thick cylindrical scintillation counters. It then enters the drift chamber⁴ (DC) which contains sixteen sense-wire layers of radii 0.41 to 1.45 m. The magnetic field is 4.1 kG and the momenta of charged particles are measured with an accuracy of $\delta p/p = \pm [(0.010p)^2 + (0.0145)^2]^{1/2}$, where p is the momentum in GeV/c.⁵ The DC is surrounded by 48 scintillation counters, 2.54 cm thick, viewed on both ends by XP2230 photomultipliers. With the beam-crossing reference signal, they provide a rms

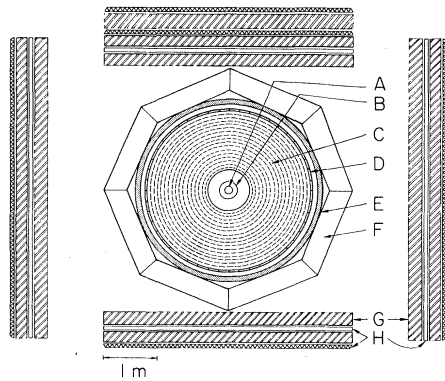


FIG. 1. Schematic view of the Mark II detector: (A) vacuum chamber, (B) pipe counter, (C) drift chamber, (D) time-of-flight counters, (E) solenoid coil, (F) liquid-argon shower counters, (G) iron absorber, (H) muon proportional tubes.

time-of-flight (TOF) resolution of 300 ps. Next, the particle traverses 1.36 radiation lengths of solenoidal coil and support material and enters one of eight liquid-argon (LA) calorimeter modules.⁶ These contain about fourteen radiation lengths of lead and argon with readout strips parallel, perpendicular, and at 45° to the beam axis giving an rms angular resolution of about 8 mrad both in azimuth and dip angle. The rms energy resolution for electrons and photons at high energies (≥ 0.5 GeV) has been measured to be $\delta E/E = 0.11/\sqrt{E}$ (E in GeV). At lower energies the resolution is worse ($0.13/\sqrt{E}$) because of the increasing importance of the energy loss in the coil material. The measured photon detection efficiency is 15% at 100 MeV, 50% at 200 MeV and $\geq 90\%$ above 400 MeV. These values agree well with detailed electromagnetic shower Monte Carlo calculations⁷ which are also used to correct the measurements for the energy loss in the coil material. Finally, two steel walls each followed by one plane of proportional tubes are used for the detection of muons above $p \sim 700$ MeV/ c .

The fraction of the full solid angle covered by the drift chamber and TOF counters is about 75%, by the LA modules is 70%, and by the muon detection system is 55%. At small angles relative to the beams there are additional shower counters (at one end a liquid-argon calorimeter and at the other end two planes of proportional chambers each preceded by 1.1 cm of lead) which extend the solid-angle coverage to 90% of 4π sr.

The detector is triggered with a two-stage hardware trigger⁸ that selects with efficiency $\geq 99\%$

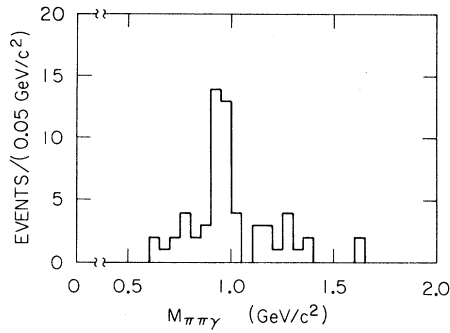
all interactions that emit at least one charged particle through the entire drift chamber and another particle through at least its first five layers. The luminosity is measured with independent shower counters detecting Bhabha scattering at 22 mrad and checked against wide-angle Bhabha events observed in the detector. The systematic uncertainty in the luminosity is less than $\pm 6\%$.

Data taken at beam energies E_b between 2.21 and 3.70 GeV are used for the present analysis. The total integrated luminosity is 5640 nb^{-1} . Events having only two oppositely charged tracks coming from the interaction region and one photon detected in the LA barrel modules were selected. Photons are required to have energies greater than 170 MeV in order to reduce background that is generated by electronic noise fluctuations. Photons within 60 cm of the charged tracks (at the entrance of the shower counter) were ignored in order to reduce backgrounds from interacting charged tracks and from pattern-recognition ambiguities.

A succession of further cuts was imposed upon the events in this data sample. Pions were selected by requiring that the TOF be within 3 standard deviations of the expected time, that the deposited energy in the LA be less than that expected for electrons, and that there be no track-associated hits in the muon chambers. Possible background from one-photon e^+e^- annihilation was reduced first by requiring that the transverse momentum (p_\perp) of the $\pi^+\pi^-\gamma$ state be < 250 MeV/ c . In addition, the angle ($\Delta\phi$) between the $\pi^+\pi^-$ and the γ momentum vectors projected into a plane perpendicular to the beam axis had to be < 0.5 rad ($\Delta\phi = 0$ for back-to-back decays). Also, the corresponding angle ($\Delta\phi_{\pi\pi}$) between the two pions itself had to be < 1.8 rad. The background from radiatively degraded Bhabha-scattered electrons was rejected by requiring that the pion momentum and the photon energy be < 1 GeV. Finally, the contribution from lepton or pion pairs produced in two-photon interactions combined with noise-generated false photons was suppressed by requiring that the transverse momentum of the $\pi^+\pi^-$ state be > 50 MeV/ c and $\Delta\phi_{\pi\pi}$ be > 0.05 rad.

Sixty-nine events fulfill all these criteria. They have been visually scanned and seven of them rejected because of additional unreconstructed small-angle charged tracks.

The $\pi^+\pi^-\gamma$ mass distribution for the remaining events, given in Fig. 2, shows a clear $\eta' \rightarrow \pi^+\pi^-\gamma$ signal. The mass resolution is dominated by the photon energy measurement and is expected to be

FIG. 2. Effective $\pi^+\pi^-\gamma$ mass distribution.

about $50 \text{ MeV}/c^2$ (rms) for the η' mass region. No cut has been made on the $\pi^+\pi^-$ mass. We have verified that for the subsample of events lying in the η' mass region, defined as $800 < m_{\pi\pi\gamma} < 1100 \text{ MeV}/c^2$, the $\pi^+\pi^-$ mass distribution is compatible with all pairs coming from ρ^0 decays.

The transverse momentum p_{\perp} , total energy E , and angular distribution $\cos\theta$ (with respect to the beam axis) are shown in Figs. 3(a)–3(c) for all events (full histograms) and for the events lying in the η' mass region (shaded). The η' events occur mainly at low transverse momenta in contrast with the background events. Their total energy peaks at low values thus excluding an interpretation of two-body production like $\eta'\gamma$ where the γ is undetected. The angular distribution is highly peaked in the forward and backward directions. We also observe a flat rapidity (y) distribution within the detector acceptance of about $-0.6 < y < 0.6$.

The background from e^+e^- annihilation events has been studied in multihadron events. The $\pi^+\pi^-\gamma$ mass combinations have been calculated independently of the existence of additional charged tracks or photons, with all other criteria unchanged. No peaking in the mass and energy distributions is seen, and the p_{\perp} distribution peaks above $200 \text{ MeV}/c$. The correction for annihilation events is included in the background subtraction using the adjacent mass regions which leaves a total of 23 ± 6 η' events (see Table I).

The detection probability for Reaction (1) was determined by a Monte Carlo simulation that used calculations of Ref. 9. The result is listed in Table I. All the kinematical distributions for the η' events shown in Figs. 3(a)–3(c) are well reproduced by the generated two-photon events. The expected distributions, normalized to the same number of η' events, are shown as solid

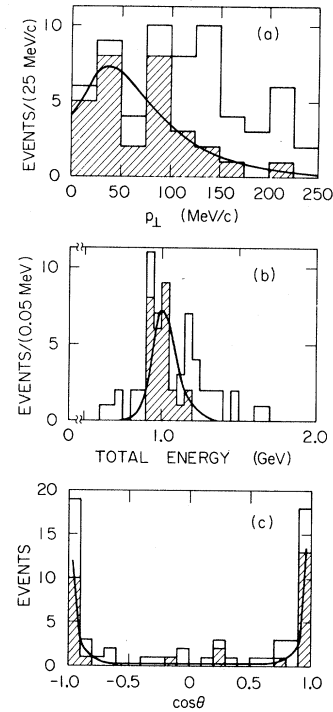


FIG. 3. Kinematical distributions for (a) transverse momentum, (b) total energy, and (c) cosine of the production angle with respect to the beam axis. The full histograms contain all events; the events in the η' mass peak are shaded. The curve represents the Monte Carlo calculation assuming $e^+e^- \rightarrow e^+e^-\eta'$ normalized to the observed η' signal.

curves. The cross section for Reaction (1) has been calculated with use of the branching ratio¹⁰ $B(\eta' \rightarrow \rho^0\gamma) = 0.298 \pm 0.017$ and is given in Table I.

The two-photon cross section is directly proportional to the radiative width $\Gamma_{\gamma\gamma}(\eta')$.¹¹ We determine¹² $\Gamma_{\gamma\gamma}(\eta') = 5.9 \pm 1.6 \text{ keV}$ using the two-photon cross-section calculation of Ref. 9. The

TABLE I. Summary of the cross-section calculation. E_b is the beam energy, $\int L dt$ is the integrated luminosity, ϵ is the detection efficiency [not including $B(\eta' \rightarrow \rho\gamma)$], $n_{\eta'}$ is the number of η' events (background subtracted), and σ is the observed cross section. Errors shown are statistical only.

E_b (GeV)	$\int L dt$ (nb ⁻¹)	ϵ	$n_{\eta'}$	σ (nb)
2.21	798	0.0217	5.1 ± 2.6	0.98 ± 0.50
2.25–2.50	2131	0.0224	4.3 ± 2.6	0.30 ± 0.18
2.50–3.00	1730	0.0217	10.3 ± 3.6	0.91 ± 0.32
3.70	984	0.0125	3.1 ± 2.2	0.84 ± 0.60

error is statistical only, and does not include an estimated systematic uncertainty of $\pm 20\%$.¹³ With the $B(\eta' \rightarrow \gamma\gamma) = 0.0197 \pm 0.0026$,¹⁰ the total width can then be determined to be $\Gamma_{\text{tot}}(\eta') = 300 \pm 90$ keV [or $\tau = (2.2 \pm 0.7) \times 10^{-21}$ sec]. The total width has recently been measured in a $\pi^- p \rightarrow n + \text{missing mass}$ experiment.¹⁴ Our result is in excellent agreement with their measured value of $\Gamma_{\text{tot}}(\eta') = 280 \pm 100$ keV.

There is considerable interest in a measurement of $\Gamma_{\gamma\gamma}(\eta')$.¹⁵⁻¹⁷ Quark models with fractionally charged quarks and a small pseudoscalar octet-singlet mixing angle¹⁰ lead, under the assumption of equal singlet and octet decay constants,¹⁶ to the prediction $\Gamma_{\gamma\gamma}(\eta') \simeq 6$ keV.¹⁵ This is in good agreement with our measurement. The data are also in agreement with a recent relativistic quark-model¹⁷ calculation which predicts $\Gamma_{\gamma\gamma}(\eta') = 7.3$ keV.

We wish to thank Dr. S. J. Brodsky, Dr. V. M. Budnev, and Dr. F. J. Gilman for enlightening discussions and suggestions. We acknowledge the important contributions to the construction of Mark II by W. Davies-White, P. Hernandez, R. Watt, and the Stanford Linear Accelerator Center and Lawrence Berkeley Laboratory (LBL) technical staffs. We note that two of the authors (B.C. and S.R.S.) are deceased; the rest of the authors wish to make special acknowledgment of their important contributions to the development of the apparatus. This work was supported primarily by the U. S. Department of Energy under Contract No. EY-76-C-03-0515 and W-7405-ENG-48. Support for individuals came from the listed institutions plus University of Bonn, Centre d'Etudes Nucléaires de Saclay, and Laboratoire de Physique Nucléaire des Hautes Energies de l'Ecole Polytechnique.

^(a)Present address: Laboratoire d'Annecy de Physique, F-74019 Annecy-le-Vieux Cédex, France.

^(b)Deceased.

^(c)Present address: CERN, Geneva 23, Switzerland.

^(d)Present address: DESY, Hamburg 52, Federal Republic of Germany.

^(e)Present address: Rockwell International, Science Center, Thousand Oaks, Cal. 91360.

^(f)Present address: Southeastern Massachusetts University, N. Dartmouth, Mass. 02747.

^(g)Present address: Institute of Nuclear Physics, Novosibirsk 90, U. S. S. R.

¹V. E. Balakin *et al.*, Phys. Lett. **34B**, 663 (1971); C. Bacci *et al.*, Lett. Nuovo Cimento **3**, 709 (1972); G. Barbiellini *et al.*, Phys. Rev. Lett. **32**, 385 (1974).

²H. J. Besch *et al.*, Phys. Lett. **81B**, 79 (1979).

³S. Orito *et al.*, Phys. Lett. **48B**, 380 (1974); L. Pao-luzi *et al.*, Lett. Nuovo Cimento **10**, 435 (1974).

⁴W. Davies-White *et al.*, Nucl. Instrum. Methods **160**, 227 (1979).

⁵The momentum resolution is $\delta p/p = \pm[(0.005p)^2 + (0.0145)^2]^{1/2}$ when tracks are constrained to pass through the known beam position.

⁶G. S. Abrams *et al.*, IEEE Trans. Nucl. Sci. **25**, 309 (1978).

⁷EGS code, R. L. Ford and W. R. Nelson, SLAC Report No. 210, 1978 (unpublished).

⁸H. Brafman *et al.*, IEEE Trans. Nucl. Sci. **25**, 1 (1978).

⁹V. M. Budnev and I. F. Ginzburg, Phys. Lett. **37B**, 320 (1971); V. N. Baier and V. S. Fadin, Lett. Nuovo Cimento **1**, 481 (1971), and private communication.

¹⁰Compiled by Particle Data Group, Phys. Lett. **75B**, 1 (1978).

¹¹F. E. Low, Phys. Rev. **120**, 582 (1960); S. J. Brodsky, T. Kinoshita, and H. Terazawa, Phys. Rev. Lett. **25**, 972 (1970), and Phys. Rev. D **4**, 1532 (1971).

¹²Upper limits on $\Gamma_{\gamma\gamma}(\eta')$ have been published from two-photon experiments in Refs. 2 and 3.

¹³Part of the systematic uncertainty comes from the model dependence. Applying, for example, the calculation of Brodsky *et al.* (Ref. 11) leads to $\Gamma_{\gamma\gamma}(\eta') = 5.5 \pm 1.5$ keV.

¹⁴D. M. Binnie *et al.*, Imperial College, London, Report No. IC/HENP/79/2, 1979 (to be published).

¹⁵S. Okubo, in *Symmetries and Quark Models*, edited by R. Chand (Gordon and Breach, New York, 1970); H. Suura, T. F. Walsh, and B.-L. Young, Lett. Nuovo Cimento **4**, 505 (1972).

¹⁶However, this assumption fails to describe $\Gamma(\eta' \rightarrow \pi^+\pi^-\gamma)/\Gamma(\eta' \rightarrow \gamma\gamma)$. See M. S. Chanowitz, Phys. Rev. Lett. **35**, 977 (1975), wherein an alternative analysis is proposed.

¹⁷E. Etim and M. Greco, Nuovo Cimento **42**, 124 (1977).