

UCLA

UCLA Previously Published Works

Title

Lowering the radioactivity of the photomultiplier tubes for the XENON1T dark matter experiment

Permalink

<https://escholarship.org/uc/item/82g3h326>

Journal

European Physical Journal C, 75(11)

ISSN

1434-6044

Authors

XENON Collaboration
Aprile, E
Agostini, F
[et al.](#)

Publication Date

2015-11-01

DOI

10.1140/epjc/s10052-015-3657-5

Peer reviewed

Lowering the radioactivity of the photomultiplier tubes for the XENON1T dark matter experiment

XENON Collaboration^{1,a}

E. Aprile², F. Agostini^{3,17}, M. Alfonsi^{4,10}, L. Arazi⁵, K. Arisaka⁶, F. Arneodo⁷, M. Auger⁸, C. Balan⁹, P. Barrow⁸, L. Baudis^{8,b}, B. Bauermeister¹⁰, A. Behrens⁸, P. Beltrame^{5,c}, A. Brown¹¹, E. Brown^{12,14}, S. Bruenner¹³, G. Bruno^{3,14}, R. Budnik⁵, L. Büttikofer¹⁵, J. M. R. Cardoso⁹, D. Coderre¹⁵, A. P. Colijn⁴, H. Contreras², J. P. Cussonneau¹⁶, M. P. Decowski⁴, A. Di Giovanni⁷, E. Duchovni⁵, S. Fattori¹⁰, A. D. Ferella³, A. Fieguth¹⁴, W. Fulgione³, M. Galloway⁸, M. Garbini¹⁷, C. Geis¹⁰, L. W. Goetzke², C. Grignon¹⁰, E. Gross⁵, W. Hampel¹³, R. Itay⁵, F. Kaether¹³, G. Kessler⁸, A. Kish⁸, H. Landsman⁵, R. F. Lang¹¹, M. Le Calloch¹⁶, D. Lellouch⁵, L. Levinson⁵, C. Levy^{12,14}, S. Lindemann¹³, M. Lindner¹³, J. A. M. Lopes^{9,d}, A. Lyashenko⁶, S. Macmullin¹¹, T. Marrodán Undagoitia^{13,e}, J. Masbou¹⁶, F. V. Massoli¹⁷, D. Mayani⁸, A. J. Melgarejo Fernandez², Y. Meng⁶, M. Messina², B. Miguez¹⁸, A. Molinaro¹⁸, M. Murra¹⁴, J. Naganoma¹⁹, U. Oberlack¹⁰, S. E. A. Orrigo^{9,f}, P. Pakarha⁸, E. Pantic⁶, R. Persiani^{16,17}, F. Piastra⁸, J. Pienaar¹¹, G. Plante², N. Priel⁵, L. Rauch¹³, S. Reichard¹¹, C. Reuter¹¹, A. Rizzo², S. Rosendahl¹⁴, J. M. F. dos Santos⁹, G. Sartorelli¹⁷, S. Schindler¹⁰, J. Schreiner¹³, M. Schumann¹⁵, L. Scotto Lavina¹⁶, M. Selvi¹⁷, P. Shagin¹⁹, H. Simgen¹³, A. Teymourian⁶, D. Thers¹⁶, A. Tiseni⁴, G. Trincherio¹⁸, C. Tunnell⁴, O. Vitells⁵, R. Wall¹⁹, H. Wang⁶, M. Weber¹³, C. Weinheimer¹⁴, M. Laubenstein³

¹ Laboratori Nazionali del Gran Sasso, Assergi, Italy

² Physics Department, Columbia University, New York, NY, USA

³ INFN-Laboratori Nazionali del Gran Sasso and Gran Sasso Science Institute, L'Aquila, Italy

⁴ Nikhef and the University of Amsterdam, Science Park, Amsterdam, Netherlands

⁵ Department of Particle Physics and Astrophysics, Weizmann Institute of Science, Rehovot, Israel

⁶ Physics and Astronomy Department, University of California, Los Angeles, CA, USA

⁷ New York University Abu Dhabi, Abu Dhabi, United Arab Emirates

⁸ Physik-Institut, University of Zurich, Zurich, Switzerland

⁹ Department of Physics, University of Coimbra, Coimbra, Portugal

¹⁰ Institut für Physik & Exzellenzcluster PRISMA, Johannes Gutenberg-Universität Mainz, Mainz, Germany

¹¹ Department of Physics and Astronomy, Purdue University, West Lafayette, IN, USA

¹² Department of Physics, Applied Physics and Astronomy, Rensselaer Polytechnic Institute, Troy, NY, USA

¹³ Max-Planck-Institut für Kernphysik, Heidelberg, Germany

¹⁴ Institut für Kernphysik, Wilhelms-Universität Münster, Münster, Germany

¹⁵ Albert Einstein Center for Fundamental Physics, University of Bern, Bern, Switzerland

¹⁶ Subatech, Ecole des Mines de Nantes, CNRS/In2p3, Université de Nantes, Nantes, France

¹⁷ Department of Physics and Astrophysics, University of Bologna and INFN-Bologna, Bologna, Italy

¹⁸ INFN-Torino and Osservatorio Astrofisico di Torino, Turin, Italy

¹⁹ Department of Physics and Astronomy, Rice University, Houston, TX, USA

Received: 27 March 2015 / Accepted: 4 September 2015 / Published online: 23 November 2015

© The Author(s) 2015. This article is published with open access at Springerlink.com

^ae-mail: xe-editorial@lngs.infn.it

^be-mail: lbaudis@uzh.ch

^cPresent address: University of Edinburgh, Edinburgh, UK

^dAlso at Coimbra Engineering Institute, Coimbra, Portugal

^ee-mail: marrodan@mpi-hd.mpg.de

^fPresent address: IFIC, CSIC-Universidad de Valencia, Valencia, Spain

Abstract The low-background, VUV-sensitive 3-inch diameter photomultiplier tube R11410 has been developed by Hamamatsu for dark matter direct detection experiments using liquid xenon as the target material. We present the results from the joint effort between the XENON collaboration and the Hamamatsu company to produce a highly radio-pure photosensor (version R11410-21) for the XENON1T dark matter experiment. After introducing the photosensor and its components, we show the methods and results of the radioactive contamination measurements of the individual

materials employed in the photomultiplier production. We then discuss the adopted strategies to reduce the radioactivity of the various PMT versions. Finally, we detail the results from screening 286 tubes with ultra-low background germanium detectors, as well as their implications for the expected electronic and nuclear recoil background of the XENON1T experiment.

1 Introduction

Among the various experimental methods for the direct detection of dark matter particles, liquid-xenon (LXe) time projection chambers have demonstrated the highest sensitivities over the past years [1–4]. The XENON100 experiment [5] did not find any evidence for dark matter and published the world's best upper limits on spin-independent [6] and spin-dependent [7] couplings of weakly interacting massive particles (WIMPs) to nucleons and neutrons, respectively, for WIMP masses above $\sim 10 \text{ GeV}/c^2$. Recently, the LUX experiment has confirmed and improved upon these results, reaching an upper limit on the spin-independent WIMP-nucleon cross section of $7.6 \times 10^{-46} \text{ cm}^2$ at a WIMP mass of $33 \text{ GeV}/c^2$ [8].

To significantly increase the experimental sensitivities, the XENON collaboration is building the XENON1T experiment [9]. The construction at the Laboratori Nazionali del Gran Sasso (LNGS) in Italy started in autumn 2013 and will continue until summer 2015. Detector commissioning, and a first science run are expected for fall and late 2015, respectively, while the design dark matter sensitivity will be reached after two years of operation. With 35 times more target mass, and a background goal 100 times lower than that of XENON100 [10, 11], the XENON1T sensitivity to spin-independent WIMP-nucleon cross sections is expected to be $2 \times 10^{-47} \text{ cm}^2$ at a WIMP mass around $40 \text{ GeV}/c^2$. This ambitious goal demands an ultra-low background in the central detector region, implying a very low radioactivity of all detector construction materials, in particular those in the vicinity of the xenon target. Among these, the photosensors, that detect the primary and secondary scintillation light produced in a WIMP-nucleus collision, are the most complex, multi-material components. Photomultiplier tubes (PMTs) were shown to cause a major contribution to the electronic recoil background from detector materials in the XENON100 [10] and LUX [12] experiments. Other current and planned experiments based on xenon as a detection medium for rare-event searches are XMASS [13], PandaX [14], LZ [15], DARWIN [16–18], NEXT [19] and EXO [20].

Many of these projects employ PMTs for signal readout, therefore the availability of ultra-low background, high-quantum efficiency sensors, capable to operate stably for long periods at low temperatures is of crucial importance. PandaX,

XENON1T, LZ and possibly DARWIN use or plan to use a new, 3-inch diameter tube, R11410, recently developed by Hamamatsu [21]. The tube was extensively tested at room temperature and in LXe [22, 23], and first measurements of the radioactivity of an early PMT version were presented in [23–25].

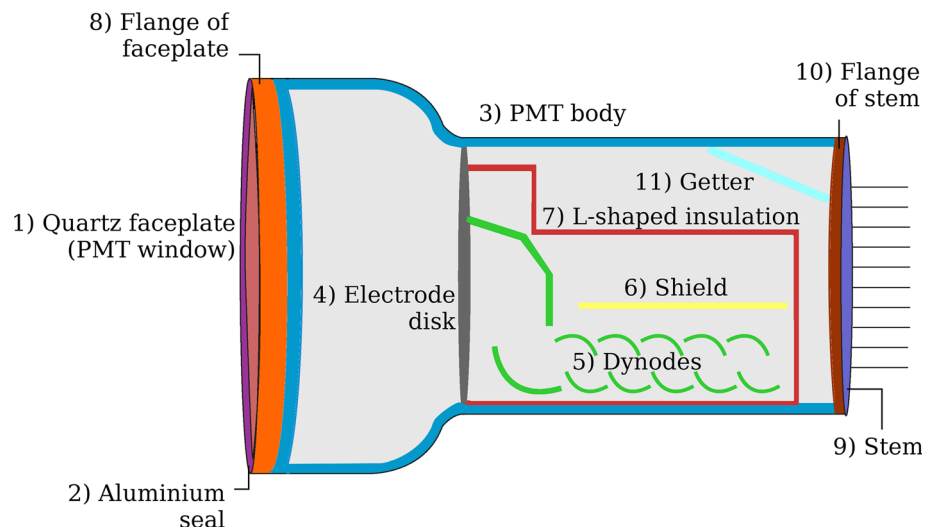
In this paper we present the most recent version, named R11410-21, which has been developed by Hamamatsu together with the XENON collaboration to produce a tube that meets the strict background requirements of the XENON1T experiment. In Sect. 2, we summarise the general characteristics of the PMT. In Sect. 3, we introduce the measurement techniques that were employed to evaluate the radioactive contamination of individual PMT components and of the PMT as a whole. In Sect. 4, we present the main screening results for the construction materials and the first PMT production batches. Finally, in Sect. 5, we interpret the results and discuss their impact on the expected backgrounds of the XENON1T experiment.

2 The R11410 photosensor

The R11410 photomultiplier is a 3-inch diameter tube produced by Hamamatsu and used in xenon-based dark matter and double beta decay detectors. It operates stably at typical temperatures and pressures in a LXe detector, around $-100 \text{ }^\circ\text{C}$ and 2 atm., respectively [23]. Apart from a greatly reduced intrinsic radioactivity level, as we will show in the following sections, a major advantage is its high quantum efficiency (QE) at the xenon scintillation wavelength of 175 nm. Hamamatsu has measured a mean value of $\langle \text{QE} \rangle = 35 \%$ for the tubes delivered for XENON1T with a few tubes having a QE as high as 40%. For selected tubes of an earlier version, the QE has been measured by some of us at various temperatures [26] confirming the values reported by the company. Along with 90% electron collection efficiency [22], the tube ensures a high detection efficiency for VUV scintillation photons produced by particle interactions in xenon.

The R11410 photomultiplier has a VUV-transparent quartz window and a low-temperature bialkali photocathode deposited on it. A 12-dynode electron-multiplication system provides a signal amplification of about 3.5×10^6 at -1500 V operating voltage. The peak-to-valley ratio is at least 2, showing a good separation of the single photoelectron signal from the noise spectrum [23]. Inside the tube, the dynodes are insulated using L-shaped quartz plates. The body of the PMT is about 115 mm long [27], and it is made out of a Kovar alloy, most of which has a very low cobalt content (“cobalt-free Kovar”). On the back side of the PMT, the stem uses ceramic material to insulate the connections to the individual dynodes. The individual components are listed in Table 2.

Fig. 1 A schematic figure of the R11410 PMT (not to scale), showing its main components. The numbers correspond to those in Table 2, the colours to those in Fig. 5



The tube has been intensively tested to demonstrate its stable behaviour during long-term operation in LXe and in the presence of an electric field [23]. At $-100\text{ }^{\circ}\text{C}$, this PMT shows a low dark count rate of about 80 Hz at -1600 V above an area of the single photoelectron (PE) peak of $1/3\text{ PE}$. The corresponding single photoelectron resolution is between 35 and 40% [23]. In Fig. 1 we show a sketch of the R11410 PMT, displaying its main components that were introduced in this section.

3 Techniques and measurements

We now briefly describe the techniques used to measure the radioactive contamination of the PMTs and of the various PMT components. The most relevant isotopes are those of the natural uranium and thorium decay chains. In addition to the gamma rays, spontaneous fission and (α, n) reactions can produce fast neutrons in a given material. These neutrons can cause nuclear recoils in the LXe, similar to the expected interactions of WIMPs, and thus present a serious source of background. We also study the ^{60}Co , ^{40}K and ^{137}Cs isotopes, among others, because their gamma-emission contributes to the electron-recoil background of the experiment. This contribution can, however, be reduced by signal/background discrimination in xenon time projection chambers that measure both the light and charge signals produced in a particle interaction in the active detector volume.

3.1 Germanium spectroscopy

Gamma-ray spectroscopy is a standard method to screen and select materials for rare-event searches. Germanium spectrometers in dedicated low-background shields combine a high energy resolution with a very low intrinsic background.

We have employed some of the world's most sensitive high-purity germanium (HPGe) spectrometers, the GeMPI [28–30] and Gator [31] detectors. They are located at the LNGS laboratory, under an average overburden of 3600 m.w.e., where the muon flux is reduced to $\sim 1\text{ m}^{-2}\text{ h}^{-1}$. The detectors are coaxial, p-type HPGe crystals, with masses around 2.2–2.3 kg, housed in electro-refined copper cryostats. The cryostats are surrounded by shields made of low-activity copper, lead and polyethylene, and are housed in air-tight boxes which are permanently flushed with pure nitrogen gas to suppress the influx of ^{222}Rn . The sample chambers have dimensions of $\sim (25 \times 25 \times 30)\text{ cm}^3$, allowing the placement of rather large samples around the germanium detectors. Sample handling chambers equipped with airlocks and glove boxes are located above the shields, with compartments that allow for the storage of samples prior to their measurement and thus for the decay of ^{222}Rn , ^{220}Rn and their progenies. Before introducing the material samples into the airlock, their surface is cleaned. The samples are degreased with an acid soap and rinsed with deionized water in an ultrasonic bath. Finally, the surfaces are cleaned with ethanol. The PMTs are also cleaned before the measurements, their surface is wiped with ethanol.

Sealed calibration sources can be fed into the inner chambers in order to calibrate the energy scale and to determine the energy resolution. The relative efficiency of the Ge spectrometers is around 100%. In γ -spectroscopy, the quoted efficiency is defined relative to a 7.62 cm (diameter) \times 7.62 cm (height) NaI(Tl) crystal, for the 1.33 MeV ^{60}Co photo-absorption peak at a source-detector distance of 25 cm [32]. The integral counting rate in the energy region 100–2700 keV is in the range 6–10 events/h. They can detect sample activities down to $\sim 10\text{ }\mu\text{Bq/kg}$ for ^{226}Ra and $^{228}\text{Th}/^{228}\text{Ra}$. To determine the concentration of a radionuclide in a given sample, the most prominent gamma lines

Table 1 Main material components used across the different R11410 PMT versions. ⁽¹⁾For the production of the R11410-21 tube, that features the same design as the R11410-20 version, very low-background

Part	R11410	R11410-10	R11410-20	R11410-21 ⁽¹⁾	R11410-30
Stem	Glass	Ceramic	Ceramic	Ceramic	Sapphire
Body	Kovar alloy	Kovar alloy	Co-free Kovar	Co-free Kovar	Co-free Kovar
Insulator	Ceramic	Quartz	Quartz	Quartz	Quartz
Al seal	Std. purity	Std. purity	High purity	High purity	High purity

materials were selected to fulfill the demanding background requirements of the XENON1T experiment

in the spectrum are analysed after subtraction of the background spectrum. The detection efficiencies for each line are determined in Monte Carlo simulations which are run individually for each type of sample and the full detector-sample geometry. As a concrete example, the efficiencies for most gamma lines for a batch of 15 PMTs is around 0.5–0.8%. The screening time is typically 2–3 weeks for each of these results. Upper limits are calculated as described in [33] and given at 90% C.L. Further details about the analysis procedure can be found in [31].

3.2 Glow-discharge mass spectrometry

To detect trace impurities from solid samples, glow-discharge mass spectrometry (GDMS) was used. The measurements presented here were carried out by the Evans Analytical Group (EAG) [34] on behalf of the XENON collaboration. The samples are exposed to a gas discharge or plasma atomisation/ionisation source. Argon is used as discharge gas to sputter the atoms out from the sample. The ion beam is then directed into a system of focusing lenses and cones, which finally inject the ions into a quadrupole mass spectrometer. The uncertainty of the result is between 20 and 30% for all measurements in Al, Cu and Fe based samples (aluminium, stainless steel, Kovar), and 30–50% for all other samples (quartz, sapphire and ceramic). The detection limit is better than 10^{-9} g/g (ppb) for conductors and an order of magnitude higher for non-conductors. This method detects traces of uranium and thorium in a sample, which are then translated into contaminations on ^{238}U and ^{232}Th while germanium counting mainly measures the ^{226}Ra and $^{228}\text{Th}/^{228}\text{Ra}$ isotopes of the U and Th chains in a given material. Assuming secular equilibrium in the decay series, the conversion factors from units of Bq/kg to concentrations by weight, more common in mass spectrometry, are [35]: $1 \text{ Bq } ^{238}\text{U}/\text{kg} \hat{=} 81 \times 10^{-9} \text{ g U/g}$ (81 ppb U) and $1 \text{ Bq } ^{232}\text{Th}/\text{kg} \hat{=} 246 \times 10^{-9} \text{ g Th/g}$ (246 ppb Th). The GDMS measurement is particularly relevant for the early part of the ^{238}U chain, which can be barely detected via germanium spectroscopy due to the low energy and low intensity of the emitted gamma lines.

3.3 Overview of the PMT screening measurements

The radioactivity of the materials employed to manufacture the R11410 tube has been gradually reduced from one version to the next, with the goal of minimizing the overall radioactivity of the final product. The first R11410 version used a glass stem, standard Kovar alloy for the body, and ceramic as a dynode insulator. The seal between the body and the quartz window was made with aluminium of standard (std.) purity. As this tube version still had a fairly high radioactivity level [24], the subsequent versions were targeted at replacing the main components with new materials such as Co-free Kovar alloy for the body of the tube, quartz instead of ceramic as an insulator, and high-purity aluminium for the seal. We note that the second PMT version was originally delivered as R11410-MOD and later renamed to R11410-10. The R11410-21 version employs low-background materials selected by us (see Sect. 4.1) for those PMTs to be operated in XENON1T only. In an attempt to further reduce the radioactivity of the tube, a stem made out of sapphire has been proposed by Hamamatsu, R11410-30. It will not be employed in XENON1T, for the overall background reduction would be insignificant, as we detail in Sect. 5. The modifications that occurred between the different PMT versions are summarised in Table 1.

4 Results

In this section, we first present the measurements of the intrinsic radioactive contamination of the individual phototube construction materials. These are followed by the germanium screening results for the fully operational PMTs, and a comparison with other PMT types operated in rare event searches based on liquid xenon.

4.1 Material samples

A total of 12 material samples, most of these to be used for the R11410-21 PMT construction, have been measured. Table 2 compiles a list of the studied materials, the sample masses used for germanium screening, as well as the mass of each material employed for manufacturing of one photomultiplier tube. The resulting mass for one tube is 190.5 g, while the

Table 2 List of measured material samples including the mass of each component per PMT. ⁽¹⁾The sapphire (sample 12) is an alternative material to the ceramic (sample 9) for the stem of a possible future PMT version

No.	Sample	Mass for Ge-screening [g]	Mass per PMT [g]
1	Quartz: faceplate (PMT window)	1179	30
2	Aluminium: pure Al for sealing	515	0.6
3	Kovar: Co-free body	500	78
4	Stainless steel sheets: electrode disk	555	8.2
5	Stainless steel sheets: dynodes	510	7.2
6	Stainless steel: shield	519	4
7	Quartz: L-shaped insulation	838	14.4
8	Kovar: flange of faceplate	525	18
9a	Ceramic: stem	597	16
9b	Ceramic: stem	498	16
10	Kovar: flange of ceramic stem	511	14
11	Getter (10 pieces)	0.58	5.8×10^{-2}
12	Sapphire (for R11410-30) ⁽¹⁾	243	16

measured mass of a PMT is 189 ± 1 g. Thus, both numbers are in agreement within the uncertainties.

For most components, the mass of the screened material was around or above 500 g, with the exception of the quartz, sapphire and getter samples. For the analysis with the GDMS technique, typically $\mathcal{O}(10)$ g of each material were needed. The results of the germanium and mass spectrometry measurements for the isotopes of the uranium and thorium chains are summarised in Table 3. Upper limits are given at 90 % confidence level, and the quoted errors include statistical and systematic errors. The item numbers correspond to the materials as listed in Table 2.

We remark that the presented results on ^{238}U are obtained by inspecting the 92.4 and 92.8 keV lines from ^{234}Th and the 1 MeV line from ^{234m}Pa . However, one can also infer the ^{238}U activity from the measured activity for ^{235}U , as we can assume their natural abundance (where the activities are related as $A_{235} \sim 0.05 \cdot A_{238}$). In general, the analysis of the ^{235}U lines provide a higher sensitivity. Secular equilibrium between various parts of the natural decay chains may be broken in processed materials, as the half-lives of ^{238}U and ^{228}Th and of some of their daughters are long, and in most cases equilibrium was not re-established. Nonetheless, the results of both techniques, HPGe screening and GDMS, are compatible with one another. For the ceramic and sapphire

samples, only germanium screening results are reported due to large systematic uncertainties of the GDMS method for this type of material. The observed contamination with ^{40}K , ^{60}Co and ^{137}Cs of each sample is shown in Table 4.

In addition to the 10 getter pieces, a getter extracted directly from a PMT was measured. As only one piece was available, the obtained upper limits for most isotopes are much above the sensitivity of those for other materials. Nonetheless, a contamination with ^{40}K clearly above the one measured for the 10 getter samples is observed. Further investigations are ongoing. The discrepancy is likely due to processes that occur during the PMT assembly, and the implications are discussed in Sect. 5.

The sum of the measured contamination of all PMT parts, for a given isotope, is shown at the bottom of each table. We calculate a total upper limit (L) using either the measured contamination level, if available, or the upper limit from the most sensitive method, and a total detection (D) using only measured contaminations. These sums determine the range for the total expected radioactivity budget of a PMT, to be compared with the screening of the whole PMT, as presented in the next section. In Fig. 2 (top), we show as an example the spectrum of the ceramic sample, together with the background spectrum of the HPGe detector.

From all screened materials, the ceramic has the highest contribution to the total radioactivity of the tube, in particular regarding the ^{238}U component, which is at the level of 2.5 mBq/PMT.

4.2 Measurements of PMT batches

All XENON1T tubes are screened before their installation into the detector in order to verify the low radioactivity values of each production batch. We have screened one batch of R11410-20 PMTs and 14 batches of R11410-21 PMTs with the Gator detector. Two batches of 4 PMTs were screened with a GeMPI detector. The results of both analyses, performed independently, agree with one another within the quoted errors. In the measurements performed with the GeMPI detector, the four tubes were placed with the PMT cathode facing the Ge crystal. Due to this configuration, the estimation of the detection efficiency determined by Monte Carlo simulations is affected by the location of the radioactive contamination in the tube. The systematic uncertainty has been evaluated to be up to $\sim 30\%$. For the measurements with Gator, low-background polytetrafluoroethylene (PTFE) support structures were fabricated to ensure the safe and reproducible handling of all PMTs during the screening process. In Fig. 3 we show a schematic view of 15 tubes in the Ge detector screening chamber. This is the maximum number of tubes that can be measured simultaneously in the PTFE holders, due to space constraints. Figure 4 shows the sensi-

Table 3 Results of the germanium (Ge) screening and the mass spectroscopy (GDMS) in mBq/PMT for isotopes in the ^{238}U , ^{235}U and ^{232}Th chains. The sample numbers correspond to those in Fig. 1, Table 2 and Fig. 5. For the GDMS measurement, only results for ^{238}U and ^{232}Th are available. The ceramic material (sample 9) was measured twice, with

different HPGe detectors and analyzed by different groups, as a cross check of the sensitivity. The *total upper limit (L)* is calculated using the measured contamination level or the inferred upper limit while the *total detection (D)* considers only detected values. Sample 12 (alternative material to ceramic) is not considered in the sums listed in the table

Sample no.	Method (detector)	^{238}U	^{226}Ra	^{228}Ra (^{232}Th)	^{228}Th	^{235}U
1	Ge	<0.33	$3.6(6) \cdot 10^{-2}$	$<1.2 \cdot 10^{-2}$	$<1.1 \cdot 10^{-2}$	$<1.1 \cdot 10^{-2}$
1	GDMS	<1.8	–	<0.63	–	–
2	Ge	$<2.8 \cdot 10^{-2}$	$<7.2 \cdot 10^{-4}$	$<6.6 \cdot 10^{-4}$	$6.6(3) \cdot 10^{-4}$	$<5.5 \cdot 10^{-4}$
2	GDMS	$<0.15 \cdot 10^{-2}$	–	$<2.5 \cdot 10^{-4}$	–	–
3	Ge	<9.2	<0.26	<0.36	<0.34	<0.17
3	GDMS	$<9.5 \cdot 10^{-2}$	–	$<3.2 \cdot 10^{-3}$	–	–
4	Ge	<0.90	$<2.5 \cdot 10^{-2}$	$<4.3 \cdot 10^{-2}$	$<3.3 \cdot 10^{-2}$	$<1.9 \cdot 10^{-2}$
4	GDMS	$5.0 \cdot 10^{-2}$	–	$0.68 \cdot 10^{-2}$	–	–
5	Ge	<0.53	$2.7(6) \cdot 10^{-2}$	$<9.4 \cdot 10^{-3}$	$<9.4 \cdot 10^{-3}$	$<1.1 \cdot 10^{-2}$
5	GDMS	<0.17	–	$<15 \cdot 10^{-3}$	–	–
6	Ge	<0.37	$1.3(2) \cdot 10^{-2}$	$8(4) \cdot 10^{-3}$	$8(4) \cdot 10^{-3}$	$<5.2 \cdot 10^{-2}$
6	GDMS	$<3.4 \cdot 10^{-2}$	–	$<17 \cdot 10^{-3}$	–	–
7	Ge	<0.2	$2.9(3) \cdot 10^{-2}$	$<1.1 \cdot 10^{-2}$	$<0.7 \cdot 10^{-2}$	$<0.6 \cdot 10^{-2}$
7	GDMS	<0.88	–	<0.3	–	–
8	Ge	<0.79	$3.7(7) \cdot 10^{-2}$	$<1.8 \cdot 10^{-2}$	$<1.8 \cdot 10^{-2}$	$<1.8 \cdot 10^{-2}$
8	GDMS	$4.4 \cdot 10^{-2}$	–	$0.98 \cdot 10^{-2}$	–	–
9a	Ge	2.4(4)	0.26(2)	0.23(3)	0.11(2)	0.11(2)
9b	Ge	3(1)	0.30(3)	0.21(3)	0.11(2)	0.11(3)
10	Ge	<0.65	$<8.3 \cdot 10^{-3}$	$<3 \cdot 10^{-2}$	$<7.5 \cdot 10^{-3}$	$<1.7 \cdot 10^{-2}$
10	GDMS	$<1.7 \cdot 10^{-2}$	–	$<6 \cdot 10^{-3}$	–	–
11	Ge	<0.7	0.035(4)	$<2 \cdot 10^{-2}$	$<2.9 \cdot 10^{-2}$	0.018(3)
Total L	Ge	<16	<0.75	<0.74	<0.67	<0.44
Total D	Ge	2.7	0.46	0.24	0.12	0.13
Total L	GDMS	<3.1	–	<1	–	–
Total D	GDMS	0.09	–	0.02	–	–
Sample 12	Ge	<0.72	0.72(4)	0.13(3)	0.08(2)	$<3.4 \cdot 10^{-2}$

tivity for various isotopes as a function of time, assuming that 15 PMTs are installed in the detector chamber.

For most relevant isotopes to our study, a sensitivity below 1 mBq/PMT can be achieved after about 4–18 days of measuring time. An example spectrum is shown in Fig. 2 (bottom), along with the background spectrum of the Ge spectrometer, including the PTFE PMT holder. The screening results for ^{238}U , ^{226}Ra , ^{235}U , ^{228}Ra , ^{228}Th , ^{40}K , ^{60}Co and ^{110m}Ag for each batch are shown in Table 5. As the presented upper limits on ^{238}U are obtained from inspecting the ^{234}Th and ^{234m}Pa decays, we note here that the inferred ^{238}U activity from the measured activity for ^{235}U is about (8 ± 1) mBq/PMT.

The results for ^{40}K are lower for the detector which measured only 4 tubes at once (marked as ⁽¹⁾) compared to the batches measured with Gator. However, considering the 30 %

systematic error due to the efficiency uncertainty for this detector, the values become compatible across the detectors. Gamma lines from the anthropogenic isotope ^{110m}Ag ($T_{1/2} = 249.8$ d) have also been identified in the spectrum. The contamination has been located by two separate measurements with a HPGe detector as being present in the silver brazing between the ceramic stem and the leads and the Kovar flange of the PMT. The screening results of two samples provided by Hamamatsu with masses of 50 and 160 g, respectively, are consistent with the ^{110m}Ag activities observed in the individual PMT batches.

Comparing the total activities from Tables 3 and 4 with the results from the PMT batch screening in Table 5, we see that these are consistent for all inspected isotopes, with the exception of ^{40}K and ^{60}Co . We will discuss these in Sect. 5.

Table 4 Results of the germanium screening, in mBq/PMT, for ^{40}K , ^{60}Co and ^{137}Cs for the main raw materials of the R11410-21 tube. The totals L and D are calculated as in the previous table

Sample no.	^{40}K	^{60}Co	^{137}Cs
1	$<8.1 \cdot 10^{-2}$	$<4.5 \cdot 10^{-3}$	$<4.8 \cdot 10^{-3}$
2	$<5.7 \cdot 10^{-3}$	$<1.2 \cdot 10^{-4}$	$<2.3 \cdot 10^{-4}$
3	<0.99	$7(2) \cdot 10^{-2}$	<0.10
4	$<6.4 \cdot 10^{-2}$	$7.2(6) \cdot 10^{-2}$	$<8.0 \cdot 10^{-3}$
5	$6(3) \cdot 10^{-2}$	$6(3) \cdot 10^{-3}$	$<7.9 \cdot 10^{-3}$
6	$<3.2 \cdot 10^{-2}$	$2(1) \cdot 10^{-3}$	$<2.6 \cdot 10^{-3}$
7	$7(3) \cdot 10^{-2}$	$<2.3 \cdot 10^{-3}$	$<1.6 \cdot 10^{-3}$
8	$7(4) \cdot 10^{-2}$	0.26(2)	$9(4) \cdot 10^{-3}$
9	1.1(2)	$<2 \cdot 10^{-2}$	$<2 \cdot 10^{-2}$
9	1.6(2)	$<1.6 \cdot 10^{-2}$	$<1.2 \cdot 10^{-2}$
10	$7(4) \cdot 10^{-2}$	0.22(2)	$1.3(6) \cdot 10^{-2}$
11	$8(3) \cdot 10^{-2}$	$<4.2 \cdot 10^{-3}$	$<4.2 \cdot 10^{-3}$
Total L	<3.1	<0.66	<0.16
Total D	1.9	0.61	0.021
Sample 12	0.14(6)	$<8.8 \cdot 10^{-3}$	$<1.5 \cdot 10^{-2}$

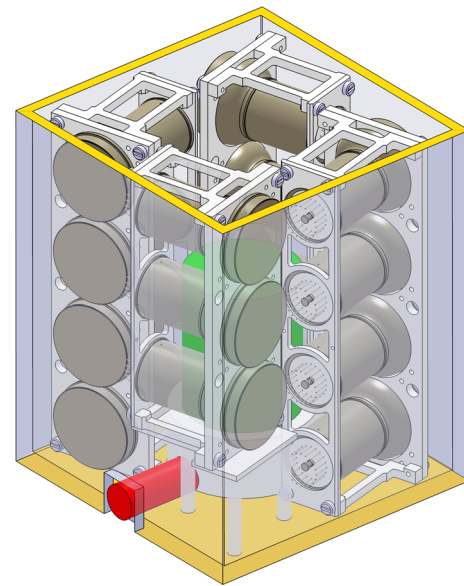


Fig. 3 Schematic view of 15 R11410-21 PMTs in the Gator detector chamber, held by custom-made, low-background PTFE support structure. The germanium detector in its cryostat is seen in green in the centre

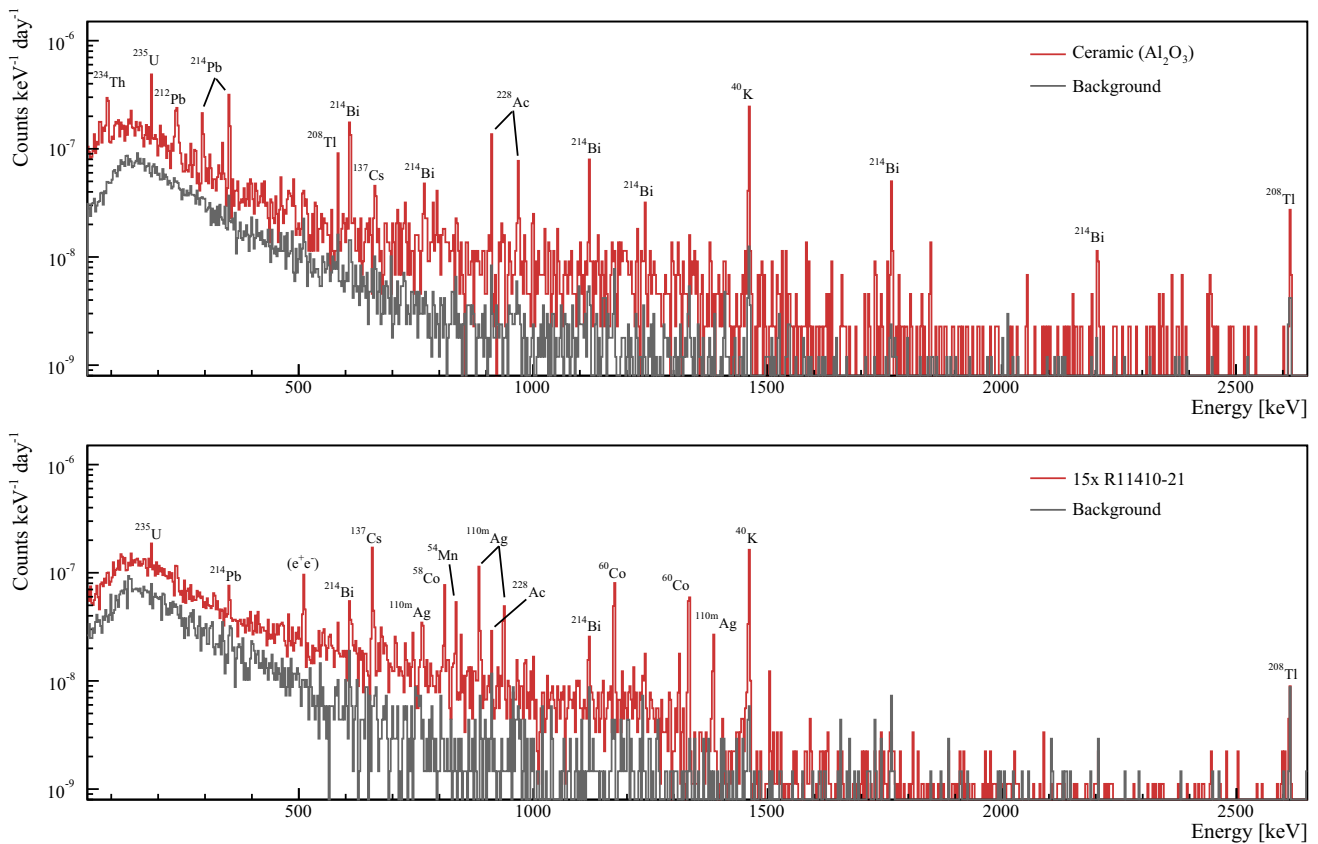


Fig. 2 (Top) Spectrum of the ceramic sample (no.9, red) along with the detector background (black). (Bottom) Spectrum of 15 Hamamatsu R11410-21 PMTs measured in July 2013 (red). The background spec-

trum of the Gator detector together with the PTFE support structure for the PMTs is also shown (black)

In Table 6, we show the screening results normalized by active PMT photocathode area, and compare these with previous versions and other PMT types used in liquid xenon experiments. We remark that the R11410-10 activities

obtained by the LUX collaboration [25] are slightly lower than those measured by the PandaX [14] and the XENON collaborations for the same version of the tube. The R8520 sensor is a 1-inch square tube employed in the XENON100 experiment [5] and the R8778 is a 2-inch cylindrical tube operated in the LUX detector [8].

The radioactivity per photocathode area of the XENON1T phototube, R11410-21, has been lowered for all isotopes compared with previous versions, and in particular with the one of the R8520 tubes employed in the XENON100 experiment.

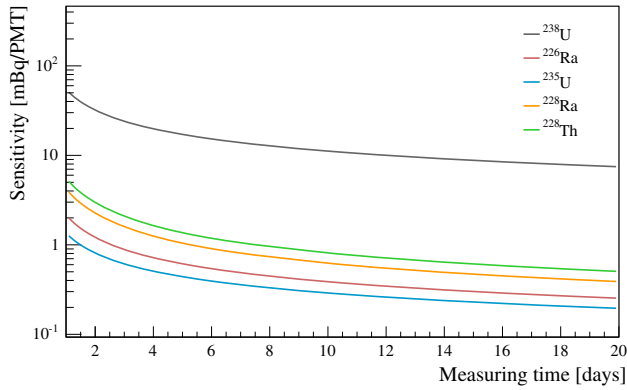


Fig. 4 Sensitivity for various isotopes as a function of measuring time, assuming that 15 PMTs are placed inside the detector chamber

5 Discussion and impact on the XENON1T background

The contributions of the individual materials to the radioactivity budget of the R11410-21 PMT are shown in Fig. 5. Each row shows the relative contribution of these materials to the ²³⁸U, ²²⁶Ra, ²²⁸Ra, ²²⁸Th, ⁴⁰K, ⁶⁰Co and ¹³⁷Cs levels, in those cases when an actual detection was possible.

Table 5 Screening results for several R11410 PMT batches using a HPGe detector. The number of measured tubes and the measuring time, *t*, in days of each measurement are shown in the first columns. The

¹³⁷Cs upper limit is in the range <0.2–0.3 mBq/PMT for all measured batches. ⁽¹⁾These three sets of 4 PMTs were screened with a different detector

PMT version (no. of units)	Batch no.	<i>t</i> [d]	Activity [mBq/PMT]							
			²³⁸ U	²²⁶ Ra	²³⁵ U	²²⁸ Ra	²²⁸ Th	⁴⁰ K	⁶⁰ Co	^{110m} Ag
v-20 (10)	0	15	<18	<0.82	<0.79	0.9(3)	0.9(2)	12(2)	1.3(2)	<0.21
v-21 (10)	1	26	<18	0.4(1)	0.5(1)	<1.1	0.4(1)	12(2)	0.7(1)	0.89(1)
v-21 (16)	2	15	<16	0.5(1)	0.29(9)	<0.85	<0.61	13(2)	0.79(8)	1.1(2)
v-21 (4) ⁽¹⁾	2b	6	<19	0.7(2)	<1.0	<0.7	0.3(1)	11(3)	0.7(2)	0.9(2)
v-21 (15)	3	11	<20	<0.82	<0.52	<1.1	0.5(2)	13(2)	0.73(9)	0.51(7)
v-21 (15)	4	22	<13	0.5(1)	0.35(9)	0.4(1)	0.4(1)	12(2)	0.73(9)	0.21(4)
v-21 (15)	5	16	<17	0.6(1)	<0.57	<0.93	<0.62	14(2)	0.63(7)	0.22(6)
v-21 (11)	6	23	<15	0.6(1)	<0.55	<0.77	0.7(1)	14(2)	0.71(7)	0.23(4)
v-21 (4) ⁽¹⁾	6b	39	<11	0.5(1)	<0.30	0.3(1)	0.3(1)	8(1)	0.9(1)	0.24(4)
v-21 (11)	7	23	<19	1.0(1)	0.4(1)	<0.77	0.7(1)	15(2)	1.0(1)	0.22(6)
v-21 (15)	8	14	<20	0.9(2)	<0.85	0.7(2)	1.0(2)	20(3)	1.2(1)	<0.32
v-21 (4) ⁽¹⁾	8b	36	<8	0.7(1)	<0.36	0.3(1)	0.2(1)	10(1)	1.4(2)	0.17(4)
v-21 (15)	9	20	<14	0.57(9)	<0.44	<0.79	0.5(1)	13(2)	0.81(8)	0.53(6)
v-21 (15)	10	26	<15	0.45(7)	<0.44	0.5(1)	0.45(8)	13(2)	0.87(8)	0.60(6)
v-21 (15)	11	12	<10	0.5(2)	<0.47	<1.17	0.6(1)	12(2)	0.77(9)	0.59(7)
v-21 (15)	12	18	<10	<0.71	<0.45	0.7(2)	0.7(1)	11(2)	0.78(8)	0.71(7)
v-21 (15)	13	34	<10	0.50(6)	0.38(8)	0.6(1)	0.50(7)	12(1)	0.82(7)	0.73(6)
v-21 (15)	14	21	<16	0.53(8)	<0.41	<0.82	0.5(1)	14(2)	0.81(8)	0.63(6)
v-21 (15)	15	17	<15	0.54(9)	<0.50	<0.74	0.6(1)	12(2)	0.81(8)	0.66(7)
v-21 (15)	16	19	<10	0.55(9)	<0.38	0.8(2)	0.5(1)	10(1)	0.78(8)	0.52(6)
v-21 (12)	17	11	<17	0.6(2)	<0.63	<1.1	0.7(1)	11(2)	0.76(9)	0.65(8)
v-21 (14)	18	13	<16	0.5(1)	<0.59	0.6(2)	0.6(1)	11(2)	0.85(9)	0.62(7)
v-21 (14)	19	12	<14	0.6(1)	<0.46	<1.1	0.6(1)	12(2)	0.76(9)	0.56(7)

Table 6 Screening results normalised per effective photocathode area of the PMT. These data are compared with results from older R11410 versions, as well as from other PMT types employed in liquid xenon detectors. The R8520 PMT is employed in XENON100 [5] and PandaX

[14], the R8778 PMT is used in the LUX detector [8], and the R11410-10 version in the PandaX experiment [14]. The effective photocathode areas are 4.2 cm², 15.9 cm² and 32.2 cm² for the R8520, R8778 and R11410 tubes, respectively

PMT type	Normalized activity [mBq/cm ²]						Ref.
	²³⁸ U	²²⁶ Ra	²²⁸ Th	²³⁵ U	⁴⁰ K	⁶⁰ Co	
R11410-21	<0.4	0.016(3)	0.012(3)	0.011(3)	0.37(6)	0.023(3)	This work
R11410-20	<0.56	<0.03	0.028(6)	<0.025	0.37(6)	0.040(6)	This work
R11410-10	<3.0	<0.075	<0.08	<0.13	0.4(1)	0.11(2)	[24]
R11410-10 (PandaX)	–	<0.02	<0.02	0.04(4)	0.5(3)	0.11(1)	[14]
R11410-10 (LUX)	<0.19	<0.013	<0.009	–	<0.26	0.063(6)	[25]
R11410	1.6(6)	0.19(2)	0.09(2)	0.10(2)	1.6(3)	0.26(2)	[24]
R8778 (LUX)	<1.4	0.59(4)	0.17(2)	–	4.1(1)	0.160(6)	[25]
R8520	<0.33	0.029(2)	0.026(2)	0.009(2)	1.8(2)	0.13(1)	[24]

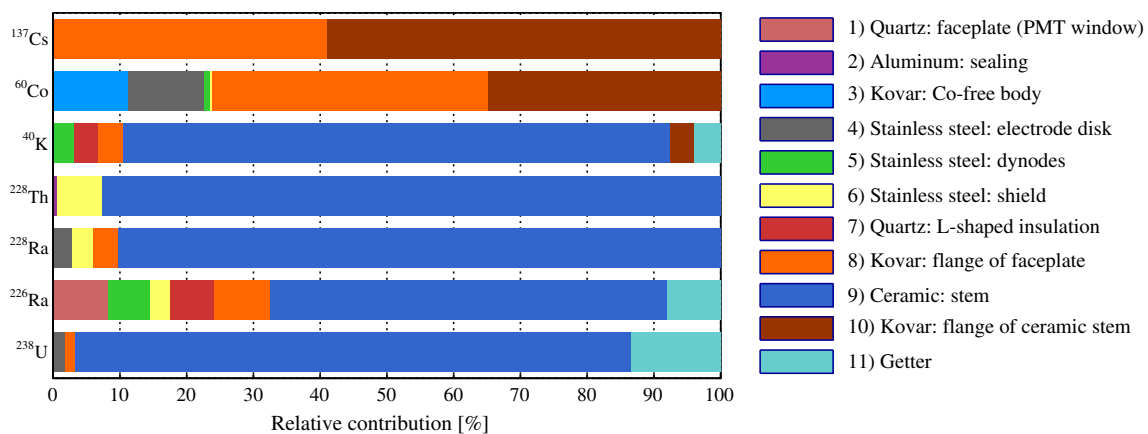


Fig. 5 Contribution of individual raw materials of the R11410-21 phototube to the total contamination in ²³⁸U, ²²⁶Ra, ²²⁸Ra, ²²⁸Th, ⁴⁰K, ⁶⁰Co and ¹³⁷Cs. The component numbers correspond to those in Fig. 1 and Table 2

Inferred upper limits on the various isotopes are thus not used to calculate the relative contributions.

The main contribution to the isotopes in the ²³⁸U and ²³²Th chains clearly comes from the ceramic stem (no. 9) of the PMT. In an attempt to reduce the ²³⁸U and ²³²Th activities, sapphire (no. 12) was considered as a ceramic replacement. Our measurements show a reduction in ²³⁸U by more than a factor of three, which is, however, counteracted by a ²²⁶Ra level almost three times higher. The ²²⁸Ra contamination is reduced by less than a factor of two and the ²²⁸Th activity is barely lower than in the case of ceramic (see also Table 3). Monte Carlo simulations using the sapphire screening results show that the neutron-induced background from the PMTs is reduced by less than 10% [36]. Therefore, such a replacement would not imply a significant improvement in the overall background.

The isotope ¹³⁷Cs has been detected only in the two Kovar alloy flanges, namely the flange to the PMT faceplate (no. 8) and the one to the stem (no. 10) but its overall activity is very low, at the level of 10 μBq/PMT.

In all Kovar alloy (no. 3, 8, 10) and stainless steel (no. 4, 5, 6) samples, ⁶⁰Co has been detected, the main contribution coming from the Kovar flanges in the PMT faceplate and stem (no. 8 and 10). The total measured ⁶⁰Co contamination in the tubes is at the level of 0.8 mBq/PMT, while the sum of the components yields a range 0.61–0.66 mBq/PMT. The discrepancy could be due to the metallic connections inside the tube that were not screened. A further reduction in the ⁶⁰Co content could be achieved by substituting the material of the flanges, which is Kovar alloy, with Co-free Kovar.

The main contributor to ⁴⁰K is the ceramic stem. However, out of the 13 mBq of ⁴⁰K detected per tube, only about 1.4 mBq are located in the ceramic (no. 9). Even taking into account the upper limits on this isotope from all other measured samples, a total upper limit on the ⁴⁰K contamination of <3.1 mBq results. This is significantly lower than the contamination of the final tube. We speculate that the additional ⁴⁰K contamination is in the unmeasured cathode material as, in general, bialkali contain potassium. This assumption

is supported by the measurement of the individual getter taken from one phototube, which shows a higher concentration of ^{40}K , namely $2.6 \pm 0.9 \text{ mBq}$ [37], compared to the 10 getter samples. The contamination of the getter could have happened during the deposition process of the photocathode material.

The average radioactive contaminations per PMT, or upper limits when no positive detection was available, were used in a full GEANT4-based Monte Carlo simulation of XENON1T to quantify the contribution to the background of the experiment. The simulation takes into account a detailed detector geometry, with the 248 R11410-21 PMTs placed at their correct positions in the TPC, above and below the liquid xenon target. The total electronic-recoil background from single-site gamma interactions in the medium is $(0.014 \pm 0.002) \text{ events/y}$ in a central, fiducial volume containing 1 tonne of LXe. This value is calculated for a dark matter search region of 2–12 keV electronic recoil energy and an assumed background discrimination level of 99.75 %.

Although a contamination from the anthropogenic $^{110\text{m}}\text{Ag}$ has been found in most of the screened PMT batches, the expected contribution to the background of XENON1T by the start of the science run is negligible. This contribution makes 0.36 % of the total electronic recoil background, without even considering the decay of $^{110\text{m}}\text{Ag}$. It will be further reduced due to the relatively short half live of 249.8 days of $^{110\text{m}}\text{Ag}$.

The nuclear-recoil background from neutron interactions has also been investigated. We follow our procedure described in [11] to calculate the neutron spectra and yields, which are based on the SOURCES-4A code [38]. The estimated rate, taking into account the activity in each PMT material and the subsequent neutron production rates and spectra, is $0.060 \pm 0.015 \text{ events/y}$ in a 1 tonne fiducial volume in the 5–50 keV region for nuclear-recoil energies with an acceptance of 50 % [36]. The overall background goal of XENON1T is $<1 \text{ event}$ for an exposure of $2 \times \text{y}$. Thus, we can safely conclude that the PMTs will not limit the sensitivity of the experiment.

Acknowledgments We gratefully acknowledge support from NSF, DOE, SNF, UZH, FCT, Region des Pays de la Loire, STCSM, BMBF, MPG, FOM, the Weizmann Institute of Science, EMG, INFN, and the ITN Invisibles (Marie Curie Actions, PITN-GA-2011-289442). We thank the technical and engineering personnel of Hamamatsu Photonics Co. for the fruitful cooperation in producing the ultra-pure photomultiplier tube. We are grateful to LNGS for hosting and supporting the XENON project.

Open Access This article is distributed under the terms of the Creative Commons Attribution 4.0 International License (<http://creativecommons.org/licenses/by/4.0/>), which permits unrestricted use, distribution, and reproduction in any medium, provided you give appropriate credit to the original author(s) and the source, provide a link to the Creative Commons license, and indicate if changes were made. Funded by SCOAP³.

References

1. L. Baudis, Phys. Dark Univ. **1**, 94 (2012). [arXiv:1211.7222](https://arxiv.org/abs/1211.7222)
2. L. Baudis, Phys. Dark Univ. **4**, 50 (2014). [arXiv:1408.4371](https://arxiv.org/abs/1408.4371)
3. M. Schumann, EPJ Web Conf. **96**, 01027 (2015). [arXiv:1501.01200](https://arxiv.org/abs/1501.01200)
4. T. Marrodán Undagoitia, PoS TIPP **2014**, 011 (2014)
5. E. Aprile et al., XENON100 Collaboration. Astropart. Phys. **35**, 573 (2012). [arXiv:1107.2155](https://arxiv.org/abs/1107.2155)
6. E. Aprile et al., XENON100 Collaboration. Phys. Rev. Lett. **109**, 181301 (2012). [arXiv:1207.5988](https://arxiv.org/abs/1207.5988)
7. E. Aprile et al., XENON100 Collaboration. Phys. Rev. Lett. **111**, 021301 (2013). [arXiv:1301.6620](https://arxiv.org/abs/1301.6620)
8. D.S. Akerib et al., LUX Collaboration. Phys. Rev. Lett. **112**, 091303 (2014). [arXiv:1310.8214](https://arxiv.org/abs/1310.8214)
9. E. Aprile et al., XENON1T Collaboration. [arXiv:1206.6288](https://arxiv.org/abs/1206.6288)
10. E. Aprile et al., XENON100 Collaboration. Phys. Rev. D **83** (2011) 082001 [Erratum-ibid. D **85** (2012) 029904]. [arXiv:1101.3866](https://arxiv.org/abs/1101.3866)
11. E. Aprile et al., XENON100 Collaboration. J. Phys. G **40**, 115201 (2013). [arXiv:1306.2303](https://arxiv.org/abs/1306.2303)
12. D.S. Akerib et al., LUX Collaboration. Nucl. Instrum. Methods A **704**, 111 (2013). [arXiv:1211.3788](https://arxiv.org/abs/1211.3788)
13. K. Abe et al., XMASS Collaboration. Phys. Lett. B **719**, 78 (2013)
14. X. Cao et al., Sci. China Phys. Mech. Astron. **57**, 1476 (2014). [arXiv:1405.2882](https://arxiv.org/abs/1405.2882)
15. D.C. Malling, D.S. Akerib, H.M. Araujo et al., [arXiv:1110.0103](https://arxiv.org/abs/1110.0103)
16. L. Baudis, PoS IDM **2010**, 122 (2011). [arXiv:1012.4764](https://arxiv.org/abs/1012.4764)
17. L. Baudis, DARWIN Consortium. J. Phys. Conf. Ser. **375**, 012028 (2012). [arXiv:1201.2402](https://arxiv.org/abs/1201.2402)
18. M. Schumann, L. Baudis, L. Bütikofer, A. Kish, M. Selvi., [arXiv:1506.08309](https://arxiv.org/abs/1506.08309)
19. D. Lorca et al., NEXT Collaboration. Nucl. Instrum. Methods A **718**, 387 (2013). [arXiv:1210.4020](https://arxiv.org/abs/1210.4020)
20. M. Auger et al., JINST **7**, P05010 (2012). [arXiv:1202.2192](https://arxiv.org/abs/1202.2192)
21. Hamamatsu, <http://www.hamamatsu.com/>
22. K. Lung et al., Nucl. Instrum. Methods A **696**, 32 (2012). [arXiv:1202.2628](https://arxiv.org/abs/1202.2628)
23. L. Baudis, A. Behrens, A. Ferella, A. Kish, T. Marrodán Undagoitia, D. Mayani, M. Schumann, JINST **8**, 04026 (2013). [arXiv:1303.0226](https://arxiv.org/abs/1303.0226)
24. E. Aprile et al., XENON100 Collaboration. Astropart. Phys. **35**, 43 (2011). [arXiv:1103.5831](https://arxiv.org/abs/1103.5831)
25. D.S. Akerib et al., Nucl. Instrum. Methods A **703**, 1 (2013). [arXiv:1205.2272](https://arxiv.org/abs/1205.2272)
26. A. Lyashenko et al., JINST **9** 11, P11021 (2014). [arXiv:1410.3890](https://arxiv.org/abs/1410.3890)
27. Hamamatsu, Datasheet R11410-21. <http://www.hamamatsu.com/>
28. N. Nede, G. Heusser, M. Laubenstein, Appl. Radiat. Isot. **53**, 19 (2000)
29. G. Heusser, M. Laubenstein, N. Nede, Proc. Intern. Conf. Isot. Environ. (2004)
30. D. Budjas, W. Hampel, M. Heisel, G. Heusser, M. Keillor, M. Laubenstein, W. Maneschg, G. Rugel et al., [arXiv:0812.0768](https://arxiv.org/abs/0812.0768)
31. L. Baudis, A.D. Ferella, A. Askin et al., JINST **6**, P08010 (2011). [arXiv:1103.2125](https://arxiv.org/abs/1103.2125)
32. G.F. Knoll, Radiation Detection and Measurement (Wiley & Sons, New York, 2000)
33. C. Hurtgen, S. Jerome, M. Woods, Appl. Radiat. Isot. **53**, 45 (2000)
34. Evans Analytical Group, <http://www.eaglabs.com/mc/glow-discharge-mass-spectrometry.html>
35. G. Heusser, Ann. Rev. Nucl. Part. Sci. **45**, 543 (1995)
36. E. Aprile et al., XENON1T Collaboration, to be published
37. G. Heusser et al., [arXiv:1507.03319](https://arxiv.org/abs/1507.03319)
38. W.B. Wilson et al., SOURCES-4A. Technical Report. LA13539MS