

UC Davis

UC Davis Previously Published Works

Title

A Deterministic Model to Quantify Risk and Guide Mitigation Strategies to Reduce Bluetongue Virus Transmission in California Dairy Cattle.

Permalink

<https://escholarship.org/uc/item/7rf6x97k>

Journal

PloS one, 11(11)

ISSN

1932-6203

Authors

Mayo, Christie
Shelley, Courtney
MacLachlan, N James
[et al.](#)

Publication Date

2016

DOI

10.1371/journal.pone.0165806

Peer reviewed

RESEARCH ARTICLE

A Deterministic Model to Quantify Risk and Guide Mitigation Strategies to Reduce Bluetongue Virus Transmission in California Dairy Cattle

Christie Mayo^{1*}, Courtney Shelley², N. James MacLachlan², Ian Gardner³, David Hartley⁴, Christopher Barker²

1 Department of Microbiology, Immunology, and Pathology, Colorado State University, Fort Collins, Colorado, United States of America, **2** Department of Pathology, Microbiology and Immunology, School of Veterinary Medicine, University of California Davis, Davis, California, United States of America, **3** Department of Health Management, Atlantic Veterinary College, University of Prince Edward Island, Prince Edward Island, Canada, **4** James M. Anderson Center for Health Systems Excellence, Cincinnati Children's Hospital Medical Center, Cincinnati, Ohio, United States of America

* Christie.Mayo@colostate.edu



OPEN ACCESS

Citation: Mayo C, Shelley C, MacLachlan NJ, Gardner I, Hartley D, Barker C (2016) A Deterministic Model to Quantify Risk and Guide Mitigation Strategies to Reduce Bluetongue Virus Transmission in California Dairy Cattle. PLoS ONE 11(11): e0165806. doi:10.1371/journal.pone.0165806

Editor: Naomi Forrester, University of Texas Medical Branch at Galveston, UNITED STATES

Received: May 3, 2016

Accepted: October 18, 2016

Published: November 3, 2016

Copyright: © 2016 Mayo et al. This is an open access article distributed under the terms of the [Creative Commons Attribution License](https://creativecommons.org/licenses/by/4.0/), which permits unrestricted use, distribution, and reproduction in any medium, provided the original author and source are credited.

Data Availability Statement: All data is available within the text of this manuscript or presented in previously published manuscripts: 12. Mayo CE, Gardner IA, Mullens BA, Barker CM, Gerry AC, Guthrie AJ, et al. Anthropogenic and meteorological factors influence vector abundance and prevalence of bluetongue virus infection of dairy cattle in California. *Vet Microbiol.* 2012;155(24):158–64. Epub 2011/09/21. doi: [10.1016/j.vetmic.2011.08.029](https://doi.org/10.1016/j.vetmic.2011.08.029) S0378-1135(11)00475-5 [pii]. PubMed PMID: 21930352. 15. Mayo CE, Mullens

Abstract

The global distribution of bluetongue virus (BTV) has been changing recently, perhaps as a result of climate change. To evaluate the risk of BTV infection and transmission in a BTV-endemic region of California, sentinel dairy cows were evaluated for BTV infection, and populations of *Culicoides* vectors were collected at different sites using carbon dioxide. A deterministic model was developed to quantify risk and guide future mitigation strategies to reduce BTV infection in California dairy cattle. The greatest risk of BTV transmission was predicted within the warm Central Valley of California that contains the highest density of dairy cattle in the United States. Temperature and parameters associated with *Culicoides* vectors (transmission probabilities, carrying capacity, and survivorship) had the greatest effect on BTV's basic reproduction number, R_0 . Based on these analyses, optimal control strategies for reducing BTV infection risk in dairy cattle will be highly reliant upon early efforts to reduce vector abundance during the months prior to peak transmission.

Introduction

Bluetongue virus (BTV) is the cause of bluetongue (BT), an economically important, re-emerging arboviral disease of ruminants transmitted by various species of hematophagous *Culicoides* midges [1–3]. In North America, *Culicoides sonorensis* (*C. sonorensis*) is the predominant, if not exclusive, vector of BTV serotypes 10, 11, 13 and 17, which have long been endemic throughout extensive portions of the continent; BTV serotype 2 was first identified in Florida in 1982 and until recently was confined to the southeastern United States (US) [4–12]. Recent changes in the epidemiology of *Culicoides*-transmitted viruses, particularly the emergence of

BA, Gerry AC, Barker CM, Mertens PP, Maan S, et al. The combination of abundance and infection rates of *Culicoides sonorensis* estimates risk of subsequent bluetongue virus infection of sentinel cattle on California dairy farms. *Vet Parasitol.* 2012;187(1-2):295-301. Epub 2012/01/28. doi: [10.1016/j.vetpar.2012.01.004](https://doi.org/10.1016/j.vetpar.2012.01.004) S0304-4017(12)00007-6 [pii]. PubMed PMID: 22281150.

Funding: These studies were supported by funds provided by the Agriculture and Food Research Initiative competitive grant 2012-67015-19527 from the U.S. Department of Agriculture-National Institute of Food and Agriculture, and the Center for Food Animal Health at University of California-Davis, the US Department of Agriculture under the Animal Health Act, 1977, Public Law 95-113. Additional support was received from the Research and Policy for Infectious Disease Dynamics (RAPIDD) program of the Science and Technology Directorate, Department of Homeland Security and Fogarty International Center, National Institutes of Health.

Competing Interests: The authors have declared that no competing interests exist.

previously exotic viruses in Europe, have highlighted the dynamic nature of host-vector-pathogen interactions and implicated multiple environmental and anthropogenic factors as potential drivers of virus emergence and spread, including changes in climate, land use, trade and animal husbandry [12–15].

Until recently, the global distribution of BTV was relatively stable at temperate and tropical latitudes between approximately 40–50°N and 35–40°S [5]. However, the global distribution of BTV has recently and profoundly changed, with the invasion and spread of BTV throughout much of Europe, which previously had been free of the virus other than transient incursions into European countries bordering the Mediterranean Sea [16–18]. Recent experiences in Europe demonstrate the potentially devastating economic consequences of a BTV epidemic and the rapidly evolving epidemiology thereof—new species of insect vectors were involved in virus transmission, and in the case of BTV serotype 8 (BTV-8), the emergent virus was highly virulent to most species of domestic and non-African wild ungulates [19, 20]. Incursion of novel serotypes of BTV into historically endemic countries or regions including the southeastern US, Israel, Australia, Canada and California have also occurred recently [21–23], reflecting the diverse means, including wind-borne spread of vectors and livestock trade networks, that likely spread these viruses between regions [24, 25]. Climate change has been incriminated as a potential contributor to this recent expansion of the global distribution of BTV infection [26–29].

Since 2008, several mathematical models have been developed to better define the risk of BTV transmission and estimate the basic reproduction number (R_0) within immunologically naïve livestock populations [30–34]. Much of the interest in modeling BTV transmission has arisen in response to the recent incursion of BTV-8 in Northern Europe; however, few of these models have based their predictions on contemporaneous data collected from field investigations in the study area of interest [30, 32, 35]. Furthermore, these models rarely incorporate realistic seasonal and spatial variability in vector-host ratios, or consider the discrepancy between trap catches when using traps baited with carbon dioxide versus light [10, 36]. With the exception of a recently modeled system in Alberta, Canada, where BTV infection does not occur currently, these models often assume that laboratory-derived parameters for vectors are solely applicable to modeled scenarios [13]. For example, many European models use laboratory-derived parameters for the North American vector, *C. sonorensis*, even though it is a species that naturally transmits strains and serotypes of BTV that are distinct from those in Europe [30, 32, 35]. Lastly, existing BTV transmission models have typically focused at spatial and temporal scales (1km–25km cells) that are not well suited to the study of macro- and micro-habitat factors associated with *Culicoides* activity, or to the individual farm scale at which control measures are usually applied.

Statistical models have been developed to identify seasonal environmental predictors of BTV infection within endemic regions [37–40]. However, mechanistic models that estimate the basic reproduction number (R_0) have been used infrequently to quantify the risk of introduction of exotic BTV serotypes or virus strains [34]. BTV infection is endemic throughout much of California, distinctly seasonal, and BTV seroprevalence can range from 0–90% among adult dairy cattle [41]. Furthermore, the diversity of California's landscape and dairy industry provide an excellent case study for the application of models to better understand environmental drivers of transmission dynamics of BTV infection among cattle [12, 42–44]. Recent epidemiological investigations in California have screened intensively-managed dairy cattle for BTV infections and concurrently estimated the abundance of *Culicoides* vectors in relation to their animal hosts by aspiration from sentinel animals [12, 41]. California is characterized by a Mediterranean climate with a diverse ecological landscape that is impacted by human activities, which include the intensive farming of crops and livestock. Cattle are held in high-density

outdoor lots, and wastewater ponds, marshes, and irrigated fields associated with dairy cattle provide abundant larval habitats for *C. sonorensis* midges. Recent epidemiological field studies have provided detailed data for estimation of the host and vector state variables and transmission parameters utilized in mathematical models [10, 44]. Therefore, the goals of the present study were to 1) use mathematical modeling and field surveillance data to better characterize BTV transmission dynamics among intensively-managed dairy cattle in California, 2) define the geographic locations and seasonal windows at greatest risk for BTV transmission in California, and 3) identify key parameters that regulate transmission to inform control strategies for minimizing BTV infection risk in dairy cattle.

Materials and Methods

Data sources and parameter estimation

Data used for estimation of host, vector, and environmental states and parameters were obtained from both published literature as well as intensive surveillance studies that were conducted on four California dairy farms during 2009–2010, as previously described [12, 15, 41]. Briefly, *Culicoides* midges were captured weekly using CDC downdraft suction traps baited with CO₂ (dry ice) [12, 32]. Serum and whole blood were collected from each cow and were analyzed for the presence of antibodies and viral RNA by BTV-specific competitive ELISA (cELISA; VMRD Inc., Pullman, WA) and quantitative RT-PCR (RT-qPCR) assays, respectively [45]. The work included animal research for field data and was approved by the University of California, Davis IACUC committee (approval number 16758).

Many of the vector parameters in the creation of our model were estimated directly from published studies of *C. sonorensis*, the primary vector of BTV within the western US (Table 1) [10, 11, 46–48]. Host and vector competence were assumed to be constant over time, and the model was evaluated for a typical herd of 1,000 dairy cows. Vector abundance and carrying capacity were defined by a regression model fitted to the seasonal pattern for relative abundance of *C. sonorensis* from field data from CO₂-baited traps without UV light collected in 2009–2010 (S1 Fig) [12, 15]. Carrying capacity represents the maximum population size of a species that the environment can sustain given available resources [49]. This term cannot be measured directly, but trap counts provide an indication of the direction of population dynamics, with positive growth implying that carrying capacity is higher than abundance. Accordingly, the ratio of abundance to carrying capacity, k_v , defines seasonal variation in birth and death rates, and for the purposes of the model, this ratio was defined for any particular date as the ratio of fitted abundance (N_v) to the fitted abundance two weeks later (K_v ; Table 1).

Monthly and daily mean temperatures were obtained from PRISM Climate Group as 30-year climatic normals (1981–2010), gridded for California with a spatial resolution of 2.5 arcminutes (~ 4 km) [50]. Model results were visualized as a series of monthly maps and as daily time series for four representative locations chosen based on relevance for dairy farming and differences in seasonal temperature ranges: two cooler sites along the ocean (Eureka) and slightly inland (Petaluma), and two locations with hot summers in the northern Central Valley (Orland) and inland southern California (San Jacinto).

Deterministic model

A compartmental, ordinary differential equation (ODE) model of BTV transmission was constructed. The model is based on a single host (cattle) and a single vector (*C. sonorensis*), which is the predominant vector of BTV on California dairy farms, and is depicted schematically in Fig 1. For the purpose of this model, only the adult vector population was modeled, and the vector population was able to transmit BTV to hosts but not through vertical transmission to

Table 1. Parameter values for the model of bluetongue virus transmission.

Symbol	Description	Definition	References/Comments
b_H	Birth rate of host	$= d_H$	
b_V	Birth rate of vector	$= d_V$	
K_H	Carrying capacity of host	1,000	Arbitrary
N_V	Abundance of vector	= fitted trap counts	Fitted seasonal regression from field observations (S1 Fig)
K_V	Carrying capacity of vector	= fitted trap counts (+ 14 days)	[11]
$1/d_V$	Life span of vector	7 days	[11]
$1/d_H$	Life span of host	5 years	Typical lifespan of a California dairy cow
β_{HV}	Adequate contact rate: host to vector	$= \frac{r_{HV}}{GP}$	
β_{VH}	Adequate contact rate: vector to host	$= \frac{r_{VH}}{GP}$	[51]
r_{HV}	Probability of successful BTV transmission from host to vector	0.02	[10, 52]
r_{VH}	Probability of successful BTV transmission from vector to host	0.8	[53, 54]
$1/\epsilon_H$	Intrinsic incubation period of host	2 days	[11]
$1/\epsilon_V$	Extrinsic incubation period of vector as a function of temperature	$= \frac{1}{.0003T(T-10.4057)}, T > 10.4100$	[11]
$1/\gamma_H$	Infectious period of host	60 days	[55]
GP	Gonotrophic period	$= \frac{2.7056}{.000171T(T-3.6966)(41.8699-T)}, T > 3.7$	[11]

doi:10.1371/journal.pone.0165806.t001

their offspring, consistent with recent findings [56]. Once infectious, *Culicoides* vectors remained infectious for the remainder of their lifespan. Infection was assumed not to affect *Culicoides* behavior or longevity. Cattle hosts (denoted by the subscript H) became infected when fed upon by infectious *Culicoides* vectors (denoted by the subscript V) and then recovered, developing lifelong immunity to re-infection. Transmission of a single BTV serotype was considered within the context of this model. Populations of cattle and *Culicoides* midges contained susceptible (S_i), incubating (infected but not yet infectious, E_i), and infectious (I_i) individual animals. Infected cattle recovered from infection with immunity (R_H), and adult *Culicoides* were assumed to emerge uninfected. The system of ODEs is given below:

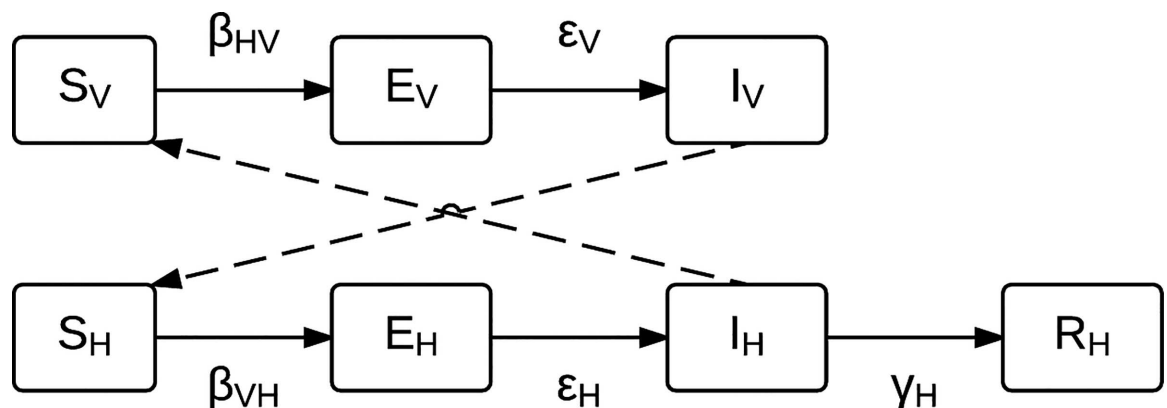


Fig 1. Flow diagram of the bluetongue virus (BTV) transmission model where host (cattle) compartments are denoted by the subscript H and vector (*Culicoides*) compartments are denoted by the subscript V. Each compartment is denoted by letter as susceptible (S), exposed (E), infected (I), or recovered (R). Refer to Table 1 for parameter definitions.

doi:10.1371/journal.pone.0165806.g001

For dairy cattle hosts (see Table 1 for a description of notation),

$$\begin{aligned} \frac{dS_H}{dt} &= b_H N_H - \beta_{vH} S_H \frac{I_V}{N_V} \\ \frac{dE_H}{dt} &= \beta_{vH} S_H \frac{I_V}{N_V} - \epsilon_H E_H - d_H E_H \frac{N_H}{K_H} \\ \frac{dI_H}{dt} &= \epsilon_H E_H - \gamma_H I_H - d_H I_H \frac{N_H}{K_H} \\ \frac{dR_H}{dt} &= \gamma_H I_H - d_H R_H \frac{N_H}{K_H} \\ \frac{dN_H}{dt} &= N_H \left(b_H - d_H \frac{N_H}{K_H} \right) \end{aligned}$$

For adult *Culicoides* vectors,

$$\begin{aligned} \frac{dS_V}{dt} &= \frac{b_V K_V}{N_V} N_V - \beta_{Hv} S_V \frac{I_H}{N_H} - d_V S_V \frac{N_V}{K_V} \\ \frac{dE_V}{dt} &= \beta_{Hv} S_V \frac{I_H}{N_H} - \epsilon_V E_V - d_V E_V \frac{N_V}{K_V} \\ \frac{dI_V}{dt} &= \epsilon_V E_V - d_V I_V \frac{N_V}{K_V} \\ \frac{dN_V}{dt} &= \frac{b_V K_V}{N_V} N_V - d_V N_V \frac{N_V}{K_V} \end{aligned}$$

In order to calculate the basic reproduction number (R_0) for horizontal (vector-borne) transmission, the exposed and infectious compartments of cattle and *Culicoides* vectors were evaluated. The analytical expression for R_0 was computed by applying the method previously described [57]. To simplify the computation of R_0 , system equations were normalized to consider the percent of the population made up by each compartment:

$$\frac{d}{dt} \begin{bmatrix} E_H \\ I_H \\ E_V \\ I_V \end{bmatrix} = \mathcal{F} - \mathcal{V} = \begin{bmatrix} \beta_{vH} S_H I_V \\ 0 \\ \beta_{Hv} S_V I_H \\ 0 \end{bmatrix} - \begin{bmatrix} \epsilon_H E_H + d_H k_H E_H \\ -\epsilon_H E_H + \gamma_H I_H + d_H k_H I_H \\ \epsilon_V E_V + d_V k_V E_V \\ -\epsilon_V E_V + d_V k_V I_V \end{bmatrix}$$

where $k_H = \frac{N_H}{K_H}, k_V = \frac{N_V}{K_V}$.

The next generation matrix, FV-1 is then calculated, with

$$F = \left[\frac{\partial \mathcal{F}_i}{\partial x_j} (x_0) \right] \text{ and } V = \left[\frac{\partial \mathcal{V}_i}{\partial x_j} (x_0) \right], 1 \leq i, j \leq m,$$

where x_0 = disease-free equilibrium (DFE).

$$F = \left[\frac{\partial \mathcal{F}_i}{\partial x_j} (x_0) \right] = \begin{bmatrix} 0 & 0 & 0 & \beta_{vH} \\ 0 & 0 & 0 & 0 \\ 0 & \beta_{Hv} & 0 & 0 \\ 0 & 0 & 0 & 0 \end{bmatrix}$$

$$V = \left[\frac{\partial \mathcal{V}_i}{\partial x_j} (x_0) \right] = \begin{bmatrix} \epsilon_H + d_H k_H & 0 & 0 & 0 \\ -\epsilon_H & \gamma_H + d_H k_H & 0 & 0 \\ 0 & 0 & \epsilon_V + d_V k_V & 0 \\ 0 & 0 & -\epsilon_V & d_V k_V \end{bmatrix}$$

R_0 is defined as the spectral radius of the next generation matrix, FV^{-1}

$$R_0 = \rho(FV^{-1}) = \sqrt{\left(\frac{\epsilon_V}{\epsilon_V + d_V k_V}\right) \left(\frac{\epsilon_H}{\epsilon_H + d_H k_H}\right) \left(\frac{\beta_{VH}}{d_2 k_V}\right) \left(\frac{\beta_{HV}}{\gamma_H + d_H k_H}\right)}$$

The first term in the R_0 equation corresponds to the vector-borne transmission; R_0 is comprised of two parts corresponding to *Culicoides*-cattle interactions. The term $\left(\frac{\epsilon_V}{\epsilon_V + d_V k_V}\right)$ represents the probability of an adult *Culicoides* midge surviving the extrinsic incubation period to the point where they can become infectious. Similarly, the term $\left(\frac{\epsilon_H}{\epsilon_H + d_H k_H}\right)$ is the probability that cattle survive to the point where they are infectious. The term $\left(\frac{\beta_{VH}}{d_2 k_V}\right)$ represents the mean number of bites *Culicoides* make throughout the course of their lifetime, and the term $\left(\frac{\beta_{HV}}{\gamma_H + d_H k_H}\right)$ represents the mean number of times cattle are bitten by *Culicoides* midges during the time these vectors are infectious.

Sensitivity analysis

Latin hypercube sampling was used to test the sensitivity of the model to each input parameter, as used in previous studies [30, 32]. For each parameter, a uniform distribution was assigned (see Table 2). The system was solved numerically using a large set ($n = 200$) of sampled model parameters, and the following parameters were evaluated for their influence on R_0 : k_V , r_{HV} , r_{VH} , GP, N_H , K_H , d_H , γ_H , ϵ_H , d_V , and EIP. Partial rank correlation coefficients were used to assess the strength and significance of associations between parameters and R_0 values.

Table 2. Ranges of parameters and partial rank correlation coefficients (PRCC) and 95% confidence intervals in relation to R_0 .

Symbol	Range	PRCC	95% CI
k_V	[0, 10]	-0.7385	[-0.7799, -0.6996]
r_{HV}	[0.01, 0.1]	0.3769	[0.3146, 0.4245]
r_{VH}	[0.1, 1]	0.3355	[0.2842, 0.4040]
GP	[0, 50]	-0.7555	[-0.7801, -0.7235]
N_H	[100, 10 000]	-0.0488	[-0.1101, 0.0066]
K_H	[100, 10 000]	0.0339	[-0.0253, 0.1045]
d_H	[0.0001, 0.001]	-0.0002	[-0.0532, 0.0675]
γ_H	[0.005, 0.05]	-0.3467	[-0.3983, -0.2912]
ϵ_H	[0, 1]	-0.0004	[-0.0544, 0.0646]
d_V	[0.01, 1.0]	-0.7102	[-0.7491, -0.6702]
EIP	[1, 50]	-0.4306	[-0.4789, -0.3624]

doi:10.1371/journal.pone.0165806.t002

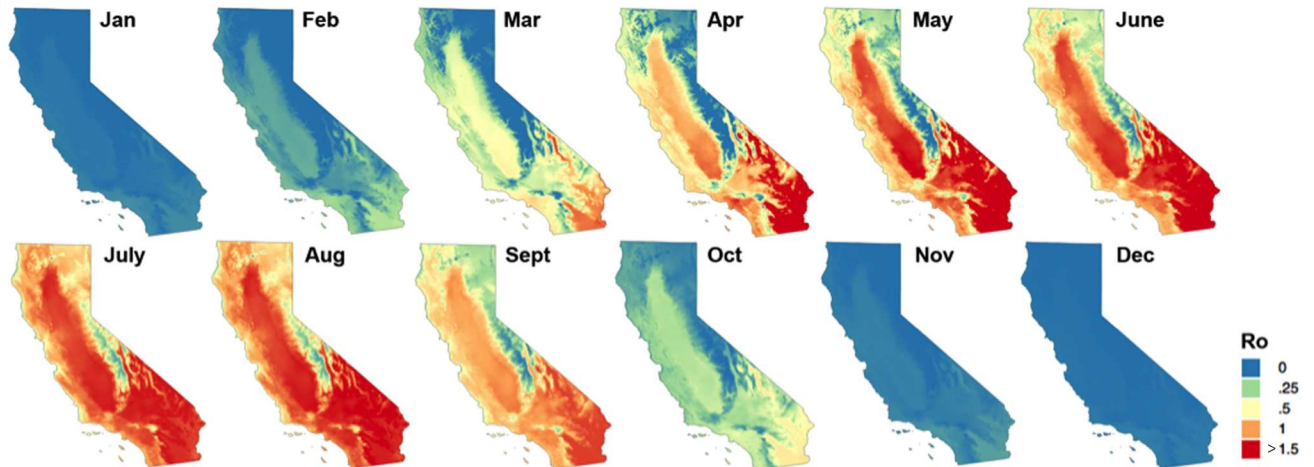


Fig 2. Monthly predicted spatial distribution of bluetongue virus (BTV) among dairy cattle in California. The map shows the calculated reproductive ratios, R_0 , projected based on 30-year mean temperatures, 1981–2010.

doi:10.1371/journal.pone.0165806.g002

Results

Geographic limits

The highest R_0 values (1.70 to 2.30) were in inland areas of southern California and the Central Valley (Fig 2), which have intensively managed dairies and hotter summers and cooler winters than coastal regions of California. Remaining portions of the state had a heterogeneous distribution of R_0 values ranging from 0.03 to 1.72.

A second metric for transmission efficiency, the number of vector bites required for BTV transmission following vector infection, was derived from temperature-dependent estimates of the extrinsic incubation period (EIP) and gonotrophic period (GP) in *Culicoides* vectors. The estimated number of bites from infection to transmission was equal to the EIP divided by GP (Fig 3).

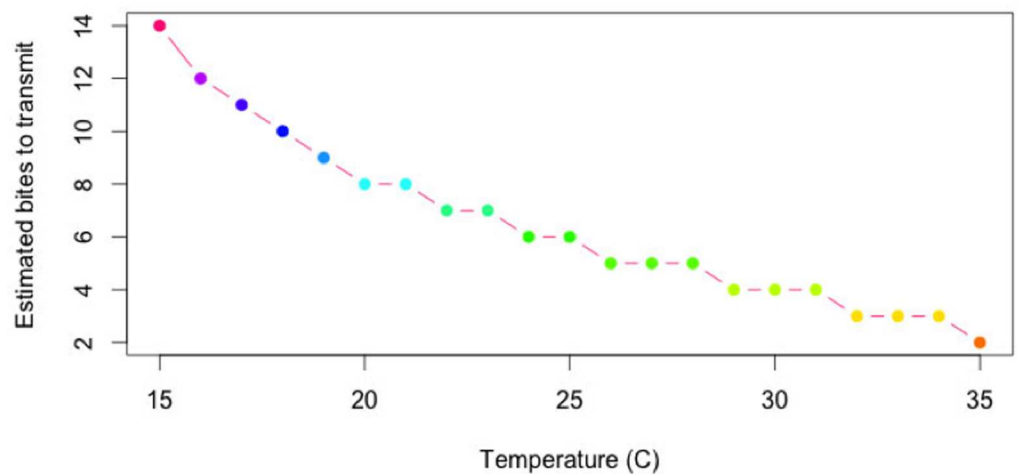


Fig 3. Estimated bites required for transmission of bluetongue virus (BTV) by *C. sonorensis* at varying temperatures. These estimates are derived from laboratory data used to estimate extrinsic incubation period and gonotrophic period as a function of temperature.

doi:10.1371/journal.pone.0165806.g003

Seasonality

Seasonal patterns for R_0 were evaluated for representative locations in California (Fig 4). In all areas, R_0 exhibited two peaks, with the first associated with early population growth of female *C. sonorensis*, and the second associated with high temperatures and peak *C. sonorensis* abundance in mid-late summer. The predicted period of sustained BTV transmission ($R_0 > 1$) began in April and ended in September in both the Sacramento Valley (Orland) and southern California (San Jacinto). In cooler maritime areas of northern California, R_0 values remained well below 1 throughout the year. R_0 values were universally low throughout all regions of California from Nov through Feb.

Sensitivity analysis

Sensitivity analysis revealed that R_0 was negatively correlated with the ratio of total midge population to vector carrying capacity (k_V , defined as N_V/K_V) and vector death rate (d_V), such that an increase in either of these values corresponds with a decrease in R_0 . R_0 was positively correlated with vector and host competence, r_{HV} and r_{VH} , and biting rates ($1/GP$) (Table 2). R_0 was negatively correlated with extrinsic incubation periods (EIP) in the vector. R_0 values were negatively correlated with faster host recovery from infection (shorter infectious periods), but were not sensitive to variations in parameter values pertaining to life histories of cattle, including mortality, cattle numbers, or carrying capacities.

Discussion

There is compelling evidence that the global distribution of BTV in different ecosystems is rapidly and dramatically changing so that the virus is spreading beyond its traditional boundaries

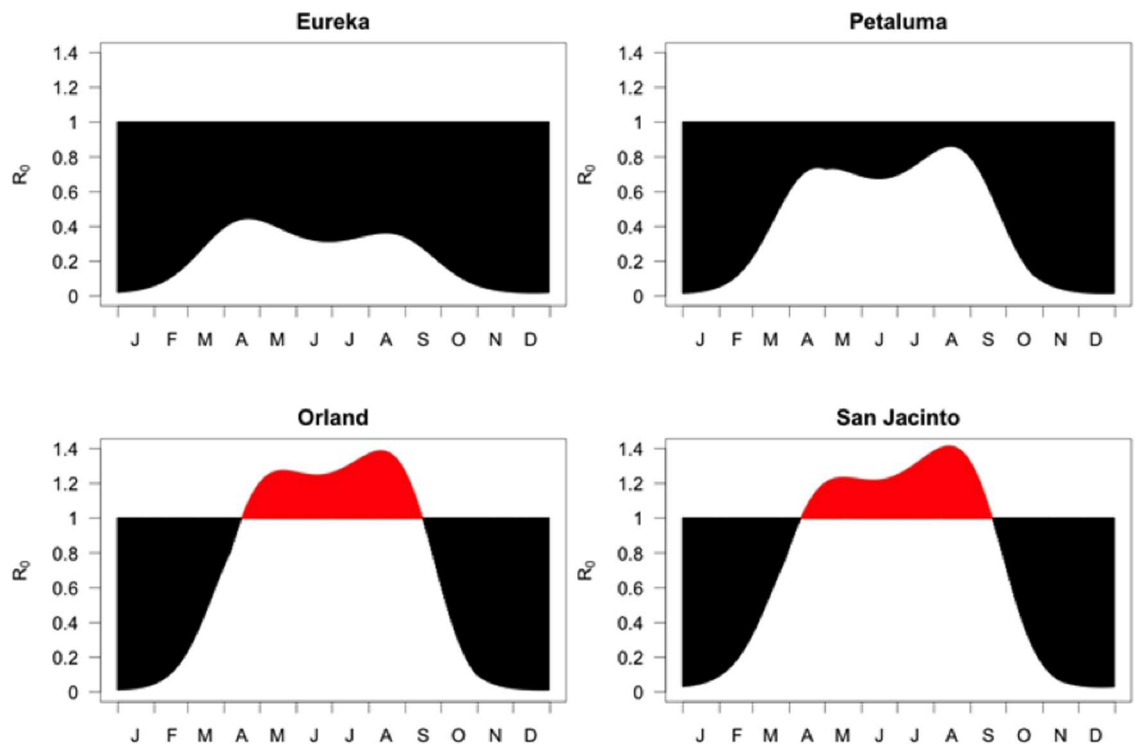


Fig 4. Seasonal patterns in basic reproduction ratios, R_0 , four representative locations in California based on 30-year mean temperatures. Locations include two cooler sites along the ocean (Eureka) and slightly inland (Petaluma), as well as representative locations with hot summers in the northern Central Valley (Orland) and inland southern California (San Jacinto).

doi:10.1371/journal.pone.0165806.g004

in North America, Europe, and elsewhere, likely in part as a consequence of climate change [26, 58]. Mathematical modeling approaches have been utilized during the recent European epidemic to provide predictive estimates of risk, but these models have been based largely on historical and exogenous data that may not reflect the current situation or the particular ecosystem [59]. The model presented in this paper also has some of these limitations but data collected from intensive surveillance of California dairy cattle during 2009–2010 inform and validate a relevant model for predicting risk among dairy cattle in an endemic region.

This study focused on intensively raised dairy cattle as the host species because they comprise the largest population of livestock within the state (~2 million)[60], and the density of other ruminant species in the immediate vicinity of dairy farms is typically low. Cattle are highly competent hosts for BTV and are frequently bitten by *C. sonorensis*, and our results indicated that R_0 was insensitive to the number of hosts over the broad range of herd sizes we considered (100 to 10,000 cattle). This also suggests that additional hosts adjacent to the herd would be unlikely to alter our estimates of transmission if their role in BTV transmission is similar to that of cattle. However, further study is warranted to understand the spatial dynamics of BTV transmission within and among herds and whether hosts in neighboring areas could contribute to BTV transmission. If additional hosts are present, whether they would dilute or potentiate transmission to cattle would depend on their relative competence and the degree to which they are fed upon by *C. sonorensis*.

Seroprevalence for BTV has been shown to vary widely among dairy cattle herds in California and elsewhere, with estimated values from 0 to 90%[12, 39, 43, 44]. Our R_0 estimates of 1.7–2.3 in the most intensively managed dairy regions of California suggest that seroprevalence values in adult cattle would be expected to lie around the middle of the observed range, although precise expectations are complicated by the seasonality of BTV. Our highest R_0 estimate would not be expected to result in a seroprevalence as high as 90%, especially given the limited seasonal window for transmission. This difference is attributed in part to our use of long-term temperature averages and fitted *C. sonorensis* abundance patterns, which smooth the variation in these quantities. Within an individual season or on an individual farm, it is possible that R_0 values could be higher, either due to more favorable short-term conditions for transmission than we captured with long-term averages, stochasticity that is not represented by our deterministic model, or in some areas, unrecognized BTV-competent wild ruminants that could serve as a source for transmission to cattle [61, 62].

This model assesses the risk of BTV infection among a population utilizing a quantitative framework by calculating the basic reproduction number (R_0) derived from vector, host, and virus parameters [30]. A defining feature of this model, in comparison with other vector-borne disease models, is the incorporation of temperature dependence and the use of laboratory and field observations of direct relevance to the cattle-*C. sonorensis* system to define parameters for biting rate, extrinsic incubation period (EIP), and vector dynamics. In particular, carrying capacity has been used historically in ecological modeling but has been largely ignored in vector-borne disease modeling systems [63–65]. Based on the strong correlation of this parameter with R_0 , carrying capacity and the ecological drivers of this equation may be important variables to consider in future vector-borne disease modeling scenarios.

Higher rates of transmission between vectors and hosts were associated with higher R_0 values. Transmission rates were the product of temperature-dependent biting rates and vector and host competence. For BTV, vector competence is typically low as compared to other vector-borne diseases, but this is offset by the very large number of *Culicoides* per host. Parameters with a broad range of variability, such as vector carrying capacity, mortality, and biting rates would be expected to be stronger drivers of changes in R_0 . Our definition of 60 days for the infectious period of cattle factors the extended RNAemia that occurs in BTV-infected cattle

and, therefore, should be regarded as a maximal estimate with respect to this parameter, [55, 66]. An earlier modeling study used a value of 20.6 days [30]. Our analyses show, as expected, that R_0 is sensitive to this choice and shorter duration of estimated infectious viremia would reduce R_0 .

Both temperature and vector habitat availability are important drivers of seasonal and geographic variation in BTV risk, respectively. Temperature broadly influences transmission through several parameters in the model and plays an important role in driving the onset of a seasonal BTV transmission cycle (transmission rates and EIP), whereas land use and vegetation most likely contribute to the establishment of an ecosystem conducive for a thriving vector population (carrying capacity).

Utilizing parameters obtained from the literature and our sentinel surveillance program, this model pointed to the Central Valley and southeastern deserts of California as the areas at greatest risk of BTV transmission. This finding is important because of the large numbers of cattle combined with high temperatures and other agricultural practices (i.e. irrigation) that are conducive to seasonal (May–November) *Culicoides* activity in these areas. Additionally, north and central eastern portions of the Central Valley of California contain large tracts of federal land grazed by livestock; therefore, it is possible contact between deer and livestock could explain the greater risk of BTV infection that occurs in this region. It is suspected that there is a decreased risk of BTV infection within the southeastern, northwestern, and northeastern portions of California due to extreme temperatures that occur in those areas, both hot and cold depending on region. Seasonally in 2010, the model demonstrated that the initiation of predicted BTV infection prevalence of dairy cattle was closely associated with the initial collections of female *C. sonorensis* midges. The predictions of the model most likely reflect the sensitivity of the R_0 calculation to temperature; therefore, these R_0 values should be considered as relative indicators of risk rather than absolute thresholds. However, the time lag from initiation of predicted BTV transmission in dairy cattle (April) to peak values (August) indicates that preventive control measures for minimizing the seasonal amplification of BTV may be most effective if they are initiated up to 3.5 months prior to the peak of infection in dairy cattle. In combination with the sensitivity analysis, the spatial and seasonal results indicate that simple and cost-effective strategies to reduce vector abundance (i.e. disrupting larval habitat) might be the most efficacious mitigation strategy to decrease BTV transmission among dairy cattle within California.

Before recommending these strategies for control or prevention, it is important to acknowledge three important limitations in this model. First, the assumption of a single cattle population does not address the risk of disease spread due to animal movement. Second, vector (*Culicoides*) dispersal is not accounted for in the model and it has been demonstrated that these insects can fly up to 6 km in 30 hours against prevailing winds [24, 67]. Third, overwintering mechanisms are not addressed in the model, leaving little understanding about interannual maintenance of the virus in the host or the vector population [68, 69]. In addition, the model is highly reliant on sentinel dairy cattle parameters obtained in California so future studies should include other ruminant species. Other models that have been developed in Europe elaborate on various potential (and biologically uncertain) latent stages in the animal hosts of BTV, and such models might thus provide more accurate prediction of epidemics [32]. However, these models rely heavily on speculation and the data available from the BTV-8 outbreaks in Europe during 2006 and 2007 that are not relevant to the mechanism of overwintering of BTV in California [56, 70]. Clearly, appropriate consideration of relevant parameter values is necessary to apply those values to models developed for accurately predicting transmission dynamics within the US and elsewhere.

The model presented in this paper is a simplified representation of a complex biological system that cannot be completely reproduced or predicted. Thus, as with all models, much of the value is within the process of building and interpreting it. Ultimately, the purpose of most modeling is to generate information that can guide effective policy or mitigation strategies for control and prevention of disease [32, 71]. Appropriate mitigation strategies in endemic regions are likely different from those previously described for epidemics of BTV infection in immunologically naïve livestock populations, such those that occurred recently in Europe [32, 71, 72]. At least four strategies could be utilized to reduce BTV infection on intensive dairy farms: 1) application of insecticide to reduce populations of adult *C. sonorensis* midges; 2) reduced usage of lagoon wastewater ponds at each farm to limit habitat for *C. sonorensis* larvae; 3) vaccination of cattle to prevent BT and/or BTV infection; and 4) culling of BTV-infected cattle and/or restriction of movement of potentially virus-infected cattle [66, 73–76]. Therefore, while it remains difficult to recommend a single control measure for such a complicated transmission cycle, models based on relevant and comprehensive data provide a better understanding of risk for BTV infection transmission so that the most appropriate control strategy can be implemented [77].

Supporting Information

S1 Fig. Fitted seasonal pattern for relative abundance of *Culicoides sonorensis* per CO₂-baited trap-night.

(TIF)

Acknowledgments

We gratefully acknowledge producers, staff, and herd managers of the farms from which the samples were obtained. These studies were supported by funds provided by the Agriculture and Food Research Initiative competitive grant 2012-67015-19527 from the U.S. Department of Agriculture–National Institute of Food and Agriculture, and the Center for Food Animal Health at the University of California-Davis, the U.S. Department of Agriculture under the Animal Health Act, 1977, Public Law 95–113. CB and DH acknowledge additional support from the Research and Policy for Infectious Disease Dynamics (RAPIDD) program of the Science and Technology Directorate, Department of Homeland Security and Fogarty International Center, National Institutes of Health.

Author Contributions

Conceptualization: NJM CM CB IG.

Data curation: CM.

Formal analysis: CS.

Funding acquisition: NJM.

Methodology: DH CS CB CM.

Project administration: NJM.

Resources: NJM.

Supervision: NJM CB.

Validation: CS CB.

Visualization: CM CB.

Writing – original draft: CM.

Writing – review & editing: CM CB NJM CS IG.

References

1. Spreull J. Malarial catarrhal fever (Bluetongue) of sheep in South Africa. *J Comp Pathol.* 1905; 18:321–37.
2. Verwoerd D, Erasmus B.J. *Infectious Diseases of Livestock*, 2nd edition. Coetzer JA, Tustin R.A., editor. Cape Town: Oxford University Press; 2004.
3. Maclachlan NJ, Drew CP, Darpel KE, Worwa G. The pathology and pathogenesis of bluetongue. *J Comp Pathol.* 2009; 141(1):1–16. Epub 2009/05/30. doi: S0021-9975(09)00049-8 [pii] doi: [10.1016/j.jcpa.2009.04.003](https://doi.org/10.1016/j.jcpa.2009.04.003) PMID: [19476953](https://pubmed.ncbi.nlm.nih.gov/19476953/).
4. Gibbs EP, Greiner EC, Taylor WP, Barber TL, House JA, Pearson JE. Isolation of bluetongue virus serotype 2 from cattle in Florida: serotype of bluetongue virus hitherto unrecognized in the Western Hemisphere. *Am J Vet Res.* 1983; 44(12):2226–8. Epub 1983/12/01. PMID: [6318609](https://pubmed.ncbi.nlm.nih.gov/6318609/).
5. Gibbs EP, Greiner EC. The epidemiology of bluetongue. *Comp Immunol Microbiol Infect Dis.* 1994; 17(3–4):207–20. Epub 1994/08/01. doi: 0147-9571(94)90044-2 [pii]. PMID: [8001346](https://pubmed.ncbi.nlm.nih.gov/8001346/).
6. Walton TE. The history of bluetongue and a current global overview. *Vet Ital.* 2004; 40(3):31–8. Epub 2004/07/01. PMID: [20419631](https://pubmed.ncbi.nlm.nih.gov/20419631/).
7. MacLachlan NJ, Osburn BI. Impact of bluetongue virus infection on the international movement and trade of ruminants. *J Am Vet Med Assoc.* 2006; 228(9):1346–9. Epub 2006/05/03. doi: [10.2460/javma.228.9.1346](https://doi.org/10.2460/javma.228.9.1346) PMID: [16649936](https://pubmed.ncbi.nlm.nih.gov/16649936/).
8. O'Rourke MJ, Loomis E.C., Smith D.W. Observations on some *Culicoides variipennis* (Diptera: Ceratopogonidae) larval habitats in areas of bluetongue virus outbreaks in California. *Mosq News.* 1983; 43:147–52.
9. Holbrook FR, Tabachnick WJ. *Culicoides variipennis* (Diptera: Ceratopogonidae) complex in California. *J Med Entomol.* 1995; 32(4):413–9. Epub 1995/07/01. PMID: [7650699](https://pubmed.ncbi.nlm.nih.gov/7650699/).
10. Gerry AC, Mullens BA, Maclachlan NJ, Mecham JO. Seasonal transmission of bluetongue virus by *Culicoides sonorensis* (Diptera: Ceratopogonidae) at a southern California dairy and evaluation of vectorial capacity as a predictor of bluetongue virus transmission. *J Med Entomol.* 2001; 38(2):197–209. Epub 2001/04/12. PMID: [11296823](https://pubmed.ncbi.nlm.nih.gov/11296823/).
11. Mullens BA, Gerry AC, Lysyk TJ, Schmidtman ET. Environmental effects on vector competence and virogenesis of bluetongue virus in *Culicoides*: interpreting laboratory data in a field context. *Vet Ital.* 2004; 40(3):160–6. Epub 2004/07/01. PMID: [20419655](https://pubmed.ncbi.nlm.nih.gov/20419655/).
12. Mayo CE, Gardner IA, Mullens BA, Barker CM, Gerry AC, Guthrie AJ, et al. Anthropogenic and meteorological factors influence vector abundance and prevalence of bluetongue virus infection of dairy cattle in California. *Vet Microbiol.* 2012; 155(24):158–64. Epub 2011/09/21. doi: [10.1016/j.vetmic.2011.08.029](https://doi.org/10.1016/j.vetmic.2011.08.029) S0378-1135(11)00475-5 [pii]. PMID: [21930352](https://pubmed.ncbi.nlm.nih.gov/21930352/).
13. Zuliani A, Massolo A, Lysyk T, Johnson G, Marshall S, Berger K, et al. Modelling the Northward Expansion of *Culicoides sonorensis* (Diptera: Ceratopogonidae) under Future Climate Scenarios. *PLoS One.* 2015; 10(8):e0130294. Epub 2015/08/25. doi: [10.1371/journal.pone.0130294](https://doi.org/10.1371/journal.pone.0130294) PMID: [26301509](https://pubmed.ncbi.nlm.nih.gov/26301509/); PubMed Central PMCID: PMC4547716.
14. Purse BV, Falconer D, Sullivan MJ, Carpenter S, Mellor PS, Piertney SB, et al. Impacts of climate, host and landscape factors on *Culicoides* species in Scotland. *Med Vet Entomol.* 2012; 26(2):168–77. Epub 2011/11/23. doi: [10.1111/j.1365-2915.2011.00991.x](https://doi.org/10.1111/j.1365-2915.2011.00991.x) PMID: [22103842](https://pubmed.ncbi.nlm.nih.gov/22103842/).
15. Mayo CE, Mullens BA, Gerry AC, Barker CM, Mertens PP, Maan S, et al. The combination of abundance and infection rates of *Culicoides sonorensis* estimates risk of subsequent bluetongue virus infection of sentinel cattle on California dairy farms. *Vet Parasitol.* 2012; 187(1–2):295–301. Epub 2012/01/28. doi: [10.1016/j.vetpar.2012.01.004](https://doi.org/10.1016/j.vetpar.2012.01.004) S0304-4017(12)00007-6 [pii]. PMID: [22281150](https://pubmed.ncbi.nlm.nih.gov/22281150/).
16. Mellor PS, Carpenter S, Harrup L, Baylis M, Mertens PP. Bluetongue in Europe and the Mediterranean Basin: History of occurrence prior to 2006. *Prev Vet Med.* 2008; 87(1–2):4–20. Epub 2008/07/16. doi: S0167-5877(08)00118-9 [pii] doi: [10.1016/j.prevetmed.2008.06.002](https://doi.org/10.1016/j.prevetmed.2008.06.002) PMID: [18619694](https://pubmed.ncbi.nlm.nih.gov/18619694/).
17. Giovannini A, Paladini C, Calistri P, Conte A, Colangeli P, Santucci U, et al. Surveillance system of bluetongue in Italy. *Vet Ital.* 2004; 40(3):369–84. Epub 2004/07/01. PMID: [20419695](https://pubmed.ncbi.nlm.nih.gov/20419695/).
18. Calistri P, Giovannini A, Conte A, Nannini D, Santucci U, Patta C, et al. Bluetongue in Italy: Part I. *Vet Ital.* 2004; 40(3):243–51. Epub 2004/07/01. PMID: [20419672](https://pubmed.ncbi.nlm.nih.gov/20419672/).

19. Maclachlan NJ, Mayo CE, Daniels PW, Savini G, Zientara S, Gibbs EP. Bluetongue. *Rev Sci Tech*. 2015; 34(2):329–40. Epub 2015/11/26. PMID: [26601438](#).
20. Carpenter S. Culicoides and the spread of bluetongue: finding the needle in the haystack. *Vet Rec*. 2011; 168(9):238–9. Epub 2011/04/16. doi: [10.1136/vr.d1385](#) PMID: [21493571](#).
21. Cameron AR. The impact of current and proposed changes to general guidelines on bluetongue surveillance of the Office International des Epizooties. *Vet Ital*. 2004; 40(4):693–6. Epub 2004/10/01. PMID: [20422616](#).
22. Brenner J, Oura C, Asis I, Maan S, Elad D, Maan N, et al. Multiple serotypes of bluetongue virus in sheep and cattle, Israel. *Emerg Infect Dis*. 2010; 16(12):2003–4. Epub 2010/12/03. doi: [10.3201/eid1612.100239](#) PMID: [21122245](#); PubMed Central PMCID: [PMC3294591](#).
23. Maclachlan NJ, Wilson W.C., Crossley B.M., Mayo C.E., Jaspersen D.C., Breitmeyer R.E., Whiteford A.M. Novel serotype of bluetongue virus, western North America. *Emerg Infect Dis*. 2013; 19:665–6. doi: [10.3201/eid1904.120347](#) PMID: [23750753](#)
24. Eagles D, Deveson T, Walker PJ, Zalucki MP, Durr P. Evaluation of long-distance dispersal of Culicoides midges into northern Australia using a migration model. *Med Vet Entomol*. 2012; 26(3):334–40. Epub 2012/01/04. doi: [10.1111/j.1365-2915.2011.01005.x](#) PMID: [22211884](#).
25. Napp S, Garcia-Bocanegra I, Pages N, Allepuz A, Alba A, Casal J. Assessment of the risk of a bluetongue outbreak in Europe caused by Culicoides midges introduced through intracontinental transport and trade networks. *Med Vet Entomol*. 2013; 27(1):19–28. Epub 2012/10/31. doi: [10.1111/j.1365-2915.2012.01016.x](#) PMID: [23106144](#).
26. Purse BV, Mellor PS, Rogers DJ, Samuel AR, Mertens PP, Baylis M. Climate change and the recent emergence of bluetongue in Europe. *Nat Rev Microbiol*. 2005; 3(2):171–81. Epub 2005/02/03. doi: [nrmicro1090](#) [pii] doi: [10.1038/nrmicro1090](#) PMID: [15685226](#).
27. Purse BV, Nedelchev N, Georgiev G, Veleva E, Boorman J, Denison E, et al. Spatial and temporal distribution of bluetongue and its Culicoides vectors in Bulgaria. *Med Vet Entomol*. 2006; 20(3):335–44. Epub 2006/10/19. doi: [10.1111/j.1365-2915.2006.00636.x](#) PMID: [17044886](#).
28. Maclachlan NJ, Guthrie AJ. Re-emergence of bluetongue, African horse sickness, and other Orbivirus diseases. *Vet Res*. 2010; 41(6):35. Epub 2010/02/20. doi: [10.1051/vetres/2010007v09567](#) [pii]. PMID: [20167199](#); PubMed Central PMCID: [PMC2826768](#).
29. Guis H, Caminade C, Calvete C, Morse AP, Tran A, Baylis M. Modelling the effects of past and future climate on the risk of bluetongue emergence in Europe. *J R Soc Interface*. 2012; 9(67):339–50. Epub 2011/06/24. doi: [rsif.2011.0255](#) [pii] doi: [10.1098/rsif.2011.0255](#) PMID: [21697167](#); PubMed Central PMCID: [PMC3243388](#).
30. Gubbins S, Carpenter S, Baylis M, Wood JL, Mellor PS. Assessing the risk of bluetongue to UK livestock: uncertainty and sensitivity analyses of a temperature-dependent model for the basic reproduction number. *J R Soc Interface*. 2008; 5(20):363–71. Epub 2007/07/20. doi: [FR145782R5223174](#) [pii] doi: [10.1098/rsif.2007.1110](#) PMID: [17638649](#); PubMed Central PMCID: [PMC2497440](#).
31. Charron MV, Seegers H, Langlais M, Ezanno P. Seasonal spread and control of Bluetongue in cattle. *J Theor Biol*. 2011; 291:1–9. Epub 2011/09/29. doi: [S0022-5193\(11\)00444-9](#) [pii] doi: [10.1016/j.jtbi.2011.08.041](#) PMID: [21945148](#).
32. Szmarađ C, Wilson AJ, Carpenter S, Wood JL, Mellor PS, Gubbins S. A modeling framework to describe the transmission of bluetongue virus within and between farms in Great Britain. *PLoS One*. 2009; 4(11):e7741. Epub 2009/11/06. doi: [10.1371/journal.pone.0007741](#) PMID: [19890400](#); PubMed Central PMCID: [PMC2767512](#).
33. Velthuis AG, Mourits MC, Saatkamp HW, de Koeijer AA, Elbers AR. Financial evaluation of different vaccination strategies for controlling the bluetongue virus serotype 8 epidemic in The Netherlands in 2008. *PLoS One*. 2011; 6(5):e19612. Epub 2011/05/17. doi: [10.1371/journal.pone.0019612](#) PONE-D-10-06403 [pii]. PMID: [21573195](#); PubMed Central PMCID: [PMC3087808](#).
34. Turner J, Bowers RG, Baylis M. Modelling bluetongue virus transmission between farms using animal and vector movements. *Sci Rep*. 2012; 2:319. Epub 2012/03/21. doi: [10.1038/srep00319](#) PMID: [22432051](#); PubMed Central PMCID: [PMC3307041](#).
35. Burgin LE, Gloster J, Sanders C, Mellor PS, Gubbins S, Carpenter S. Investigating Incursions of Bluetongue Virus Using a Model of Long-Distance Culicoides Biting Midge Dispersal. *Transbound Emerg Dis*. 2012. Epub 2012/06/08. doi: [10.1111/j.1865-1682.2012.01345.x](#) PMID: [22672434](#).
36. McDermott EG, Mayo CE, Gerry AC, Laudier D, MacLachlan NJ, Mullens BA. Bluetongue virus infection creates light averse Culicoides vectors and serious errors in transmission risk estimates. *Parasit Vectors*. 2015; 8:460. Epub 2015/09/19. doi: [10.1186/s13071-015-1062-4](#) PMID: [26382938](#); PubMed Central PMCID: [PMC4573699](#).

37. Ward MP, Carpenter TE. Simulation analysis of the effect of herd immunity and age structure on infection of a cattle herd with bluetongue viruses in Queensland, Australia. *Prev Vet Med.* 1997; 29(4):299–309. Epub 1997/02/01. doi: [S0167587796010811](https://doi.org/10.1016/S0167587796010811) [pii]. PMID: [9234438](https://pubmed.ncbi.nlm.nih.gov/9234438/).
38. Schmidtman ET, Bobian RJ, Belden RP. Soil chemistries define aquatic habitats with immature populations of the *Culicoides variipennis* complex (Diptera: Ceratopogonidae). *J Med Entomol.* 2000; 37(1):58–64. Epub 2004/06/29. PMID: [15218908](https://pubmed.ncbi.nlm.nih.gov/15218908/).
39. Green AL, Dargatz DA, Schmidtman ET, Herrero MV, Seitzinger AH, Ostlund EN, et al. Risk factors associated with herd-level exposure of cattle in Nebraska, North Dakota, and South Dakota to bluetongue virus. *Am J Vet Res.* 2005; 66(5):853–60. Epub 2005/06/07. PMID: [15934613](https://pubmed.ncbi.nlm.nih.gov/15934613/).
40. Boyer TC, Ward MP, Wallace RL, Singer RS. Regional seroprevalence of bluetongue virus in cattle in Illinois and western Indiana. *Am J Vet Res.* 2007; 68(11):1212–9. Epub 2007/11/03. doi: [10.2460/ajvr.68.11.1212](https://doi.org/10.2460/ajvr.68.11.1212) PMID: [17975976](https://pubmed.ncbi.nlm.nih.gov/17975976/).
41. Mayo CE, Crossley BM, Hietala SK, Gardner IA, Breitmeyer RE, MacLachlan NJ. Colostral transmission of bluetongue virus nucleic acid among newborn dairy calves in California. *Transbound Emerg Dis.* 2010; 57(4):277–81. Epub 2010/06/19. doi: [10.1111/j.1865-1682.2010.01149.x](https://doi.org/10.1111/j.1865-1682.2010.01149.x) JVA1149 [pii]. PMID: [20557494](https://pubmed.ncbi.nlm.nih.gov/20557494/); PubMed Central PMCID: [PMC2908191](https://pubmed.ncbi.nlm.nih.gov/PMC2908191/).
42. Osburn BJ, McGowan B, Heron B, Loomis E, Bushnell R, Stott J, et al. Epizootiologic study of bluetongue: virologic and serologic results. *Am J Vet Res.* 1981; 42(5):884–7. Epub 1981/05/01. PMID: [6266296](https://pubmed.ncbi.nlm.nih.gov/6266296/).
43. Stott JL, Osburn B.I., Bushnell R., Loomis E.C., Squire K.R.E. Epizootiological study of Bluetongue Virus Infection in California Livestock: An Overview. *Prog Clin Biol Res.* 1985; 178:571–82. PMID: [2989906](https://pubmed.ncbi.nlm.nih.gov/2989906/)
44. Uhaa IJ, Riemann HP, Thurmond MC, Franti CE. A seroepidemiological study on bluetongue virus in dairy cattle in the central valley of California. *Vet Res Commun.* 1990; 14(2):99–112. Epub 1990/01/01. PMID: [2161142](https://pubmed.ncbi.nlm.nih.gov/2161142/).
45. Ortega J, Crossley B, Dechant JE, Drew CP, MacLachlan NJ. Fatal Bluetongue virus infection in an alpaca (*Vicugna pacos*) in California. *J Vet Diagn Invest.* 2010; 22(1):134–6. Epub 2010/01/23. doi: [22/1/134](https://doi.org/10.1177/10431671093703) [pii]. PMID: [20093703](https://pubmed.ncbi.nlm.nih.gov/20093703/).
46. Mullens BA, Gerry AC. Comparison of bait cattle and carbon dioxide-baited suction traps for collecting *Culicoides variipennis sonorensis* (Diptera: Ceratopogonidae) and *Culex quinquefasciatus* (Diptera: Culicidae). *J Med Entomol.* 1998; 35(3):245–50. Epub 1998/06/06. PMID: [9615542](https://pubmed.ncbi.nlm.nih.gov/9615542/).
47. Gerry AC, Mullens BA. Seasonal abundance and survivorship of *Culicoides sonorensis* (Diptera: Ceratopogonidae) at a southern California dairy, with reference to potential bluetongue virus transmission and persistence. *J Med Entomol.* 2000; 37(5):675–88. Epub 2000/09/27. PMID: [11004778](https://pubmed.ncbi.nlm.nih.gov/11004778/).
48. Gerry AC, Sarto i Monteys V, Moreno Vidal JO, Francino O, Mullens BA. Biting rates of *Culicoides* midges (Diptera: Ceratopogonidae) on sheep in northeastern Spain in relation to midge capture using UV light and carbon dioxide-baited traps. *J Med Entomol.* 2009; 46(3):615–24. Epub 2009/06/06. PMID: [19496435](https://pubmed.ncbi.nlm.nih.gov/19496435/).
49. Hoyle A, Bowers RG. When is evolutionary branching in predator-prey systems possible with an explicit carrying capacity? *Math Biosci.* 2007; 210(1):1–16. Epub 2007/07/13. doi: [S0025-5564\(07\)00127-7](https://doi.org/10.1016/j.mbs.2007.06.001) [pii] doi: [10.1016/j.mbs.2007.06.001](https://doi.org/10.1016/j.mbs.2007.06.001) PMID: [17624378](https://pubmed.ncbi.nlm.nih.gov/17624378/).
50. PRISM Climate Group. Oregon State University. 4 Feb 2004.
51. Mullens BA, Holbrook FR. Temperature effects on the gonotrophic cycle of *Culicoides variipennis* (Diptera: Ceratopogonidae). *J Am Mosq Control Assoc.* 1991; 7(4):588–91. Epub 1991/12/01. PMID: [1787404](https://pubmed.ncbi.nlm.nih.gov/1787404/).
52. Nunamaker RA, Mecham JO, Wigington JG, Ellis JA. Bluetongue virus in laboratory-reared *Culicoides variipennis sonorensis*: applications of dot-blot, ELISA, and immunoelectron microscopy. *J Med Entomol.* 1997; 34(1):18–23. PMID: [9086705](https://pubmed.ncbi.nlm.nih.gov/9086705/).
53. O'Connell L. Entomological aspects of the transmission of arboviral disease *Culicoides* biting midges. PhD Thesis, University of Bristol. 2002:176.
54. Bonneau KR, Mullens BA, MacLachlan NJ. Occurrence of genetic drift and founder effect during quasispecies evolution of the VP2 and NS3/NS3A genes of bluetongue virus upon passage between sheep, cattle, and *Culicoides sonorensis*. *J Virol.* 2001; 75(17):8298–305. Epub 2001/08/03. PMID: [11483775](https://pubmed.ncbi.nlm.nih.gov/11483775/). doi: [10.1128/JVI.75.17.8298-8305.2001](https://doi.org/10.1128/JVI.75.17.8298-8305.2001)
55. Singer RS, MacLachlan NJ, Carpenter TE. Maximal predicted duration of viremia in bluetongue virus-infected cattle. *J Vet Diagn Invest.* 2001; 13(1):43–9. Epub 2001/03/13. PMID: [11243362](https://pubmed.ncbi.nlm.nih.gov/11243362/).
56. Osborne CJ, Mayo CE, Mullens BA, McDermott EG, Gerry AC, Reisen WK, et al. Lack of Evidence for Laboratory and Natural Vertical Transmission of Bluetongue Virus in *Culicoides sonorensis* (Diptera:

- Ceratopogonidae). *J Med Entomol.* 2015; 52(2):274–7. Epub 2015/09/04. doi: [10.1093/jme/tju063](https://doi.org/10.1093/jme/tju063) PMID: [26336312](https://pubmed.ncbi.nlm.nih.gov/26336312/); PubMed Central PMCID: PMC4481717.
57. Van den Driessche PWJ. Reproduction numbers and sub-threshold endemic equilibria for compartmental models of disease transmission. *Math Biosci.* 2002; 180(29–48). PMID: [12387915](https://pubmed.ncbi.nlm.nih.gov/12387915/)
 58. Maclachlan NJ. Global implications of the recent emergence of bluetongue virus in Europe. *Vet Clin North Am Food Anim Pract.* 2010; 26(1):163–71, table of contents. Epub 2010/02/02. doi: [10.1016/j.cvfa.2009.10.012](https://doi.org/10.1016/j.cvfa.2009.10.012) PMID: [20117549](https://pubmed.ncbi.nlm.nih.gov/20117549/).
 59. Baylis M. Towards predicting bluetongue. *Vet J.* 2009; 182(2):140–1. Epub 2009/09/15. doi: [10.1016/j.tvjl.2009.08.014](https://doi.org/10.1016/j.tvjl.2009.08.014) PMID: [19748451](https://pubmed.ncbi.nlm.nih.gov/19748451/).
 60. National Agricultural Statistics Service (NASS). United States Department of Agriculture. 2012.
 61. Roug A, Swift P, Torres S, Jones K, Johnson CK. Serosurveillance for livestock pathogens in free-ranging mule deer (*Odocoileus hemionus*). *PLoS One.* 2012; 7(11):e50600. Epub 2012/12/05. doi: [10.1371/journal.pone.0050600](https://doi.org/10.1371/journal.pone.0050600) PONE-D-12-21518 [pii]. PMID: [23209790](https://pubmed.ncbi.nlm.nih.gov/23209790/); PubMed Central PMCID: PMC3507783.
 62. Stallknecht DE, Kellogg ML, Blue JL, Pearson JE. Antibodies to bluetongue and epizootic hemorrhagic disease viruses in a barrier island white-tailed deer population. *J Wildl Dis.* 1991; 27(4):668–74. Epub 1991/10/01. PMID: [1684621](https://pubmed.ncbi.nlm.nih.gov/1684621/). doi: [10.7589/0090-3558-27.4.668](https://doi.org/10.7589/0090-3558-27.4.668)
 63. Chaney RW. Early Tertiary Ecotones in Western North America. *Proc Natl Acad Sci U S A.* 1949; 35(7):356–9. Epub 1949/07/01. PMID: [16588904](https://pubmed.ncbi.nlm.nih.gov/16588904/); PubMed Central PMCID: PMC1063037.
 64. Cheng X. [Unique ecosystem characters and ecological principles for development in the ecotones between agriculture and pasture in north China]. *Ying Yong Sheng Tai Xue Bao.* 2002; 13(11):1503–6. Epub 2003/03/11. PMID: [12625018](https://pubmed.ncbi.nlm.nih.gov/12625018/).
 65. Tuya F, Vanderklift MA, Wernberg T, Thomsen MS. Gradients in the number of species at reef-seagrass ecotones explained by gradients in abundance. *PLoS One.* 2011; 6(5):e20190. Epub 2011/06/02. doi: [10.1371/journal.pone.0020190](https://doi.org/10.1371/journal.pone.0020190) PONE-D-11-02109 [pii]. PMID: [21629654](https://pubmed.ncbi.nlm.nih.gov/21629654/); PubMed Central PMCID: PMC3101235.
 66. Maclachlan NJ, Mayo CE. Potential strategies for control of bluetongue, a globally emerging, Culicoides-transmitted viral disease of ruminant livestock and wildlife. *Antiviral Res.* 2013; 99(2):79–90. Epub 2013/05/15. doi: [10.1016/j.antiviral.2013.04.021](https://doi.org/10.1016/j.antiviral.2013.04.021) S0166-3542(13)00120-4 [pii]. PMID: [23664958](https://pubmed.ncbi.nlm.nih.gov/23664958/).
 67. Eagles D, Walker PJ, Zalucki MP, Durr PA. Modelling spatio-temporal patterns of long-distance Culicoides dispersal into northern Australia. *Prev Vet Med.* 2013; 110(3–4):312–22. Epub 2013/05/07. doi: [10.1016/j.prevetmed.2013.02.022](https://doi.org/10.1016/j.prevetmed.2013.02.022) S0167-5877(13)00071-8 [pii]. PMID: [23642857](https://pubmed.ncbi.nlm.nih.gov/23642857/).
 68. Brenner R. J. WMJ, Stains G.S., Mulla M.S. The dispersal of *Culicoides mohave* (Diptera: Ceratopogonidae) in the desert of Southern California. *Mosquito News.* 1984;(44):343–50.
 69. Gloster J, Mellor PS, Manning AJ, Webster HN, Hort MC. Assessing the risk of windborne spread of bluetongue in the 2006 outbreak of disease in northern Europe. *Vet Rec.* 2007; 160(2):54–6. Epub 2007/01/16. doi: [10.1016/j.prvi.2006.12.001](https://doi.org/10.1016/j.prvi.2006.12.001) PMID: [17220523](https://pubmed.ncbi.nlm.nih.gov/17220523/).
 70. Mayo CE, Mullens BA, Reisen WK, Osborne CJ, Gibbs EP, Gardner IA, et al. Seasonal and interseasonal dynamics of bluetongue virus infection of dairy cattle and Culicoides sonorensis midges in northern California—implications for virus overwintering in temperate zones. *PLoS One.* 2014; 9(9):e106975. Epub 2014/09/13. doi: [10.1371/journal.pone.0106975](https://doi.org/10.1371/journal.pone.0106975) PMID: [25215598](https://pubmed.ncbi.nlm.nih.gov/25215598/); PubMed Central PMCID: PMC4162562.
 71. Souza Monteiro DM, Carrasco LR, Moffitt LJ, Cook AJ. Robust surveillance of animal diseases: An application to the detection of bluetongue disease. *Prev Vet Med.* 2012. Epub 2012/02/22. doi: [10.1016/j.prevetmed.2012.01.011](https://doi.org/10.1016/j.prevetmed.2012.01.011) PMID: [22342321](https://pubmed.ncbi.nlm.nih.gov/22342321/).
 72. Gubbins S, Hartemink NA, Wilson AJ, Moulin V, Vonk Noordegraaf CA, van der Sluijs MT, et al. Scaling from challenge experiments to the field: Quantifying the impact of vaccination on the transmission of bluetongue virus serotype 8. *Prev Vet Med.* 2012; 105(4):297–308. Epub 2012/03/20. doi: [10.1016/j.prevetmed.2012.02.016](https://doi.org/10.1016/j.prevetmed.2012.02.016) PMID: [22425328](https://pubmed.ncbi.nlm.nih.gov/22425328/).
 73. Holbrook FR. An overview of Culicoides control. *Prog Clin Biol Res.* 1985; 178:607–9. Epub 1985/01/01. PMID: [4011618](https://pubmed.ncbi.nlm.nih.gov/4011618/).
 74. Mullens BA, Rodriguez JL. Response of Culicoides variipennis (Diptera: Ceratopogonidae) to water level fluctuations in experimental dairy wastewater ponds. *J Med Entomol.* 1989; 26(6):566–72. Epub 1989/11/01. PMID: [2585452](https://pubmed.ncbi.nlm.nih.gov/2585452/).
 75. MacLachlan NJ, Nunamaker RA, Katz JB, Sawyer MM, Akita GY, Osburn BI, et al. Detection of bluetongue virus in the blood of inoculated calves: comparison of virus isolation, PCR assay, and in vitro feeding of Culicoides variipennis. *Arch Virol.* 1994; 136(1–2):1–8. Epub 1994/01/01. PMID: [8002778](https://pubmed.ncbi.nlm.nih.gov/8002778/).

76. Saegerman C, Berkvens D, Mellor PS. Bluetongue epidemiology in the European Union. *Emerg Infect Dis.* 2008; 14(4):539–44. Epub 2008/04/09. doi: [10.3201/eid1404.071441](https://doi.org/10.3201/eid1404.071441) PMID: [18394269](https://pubmed.ncbi.nlm.nih.gov/18394269/); PubMed Central PMCID: PMC2570923.
77. Kirkland PD. Bluetongue viruses, vectors and surveillance in Australia—the current situation and unique features. *Vet Ital.* 2004; 40(3):47–50. Epub 2004/07/01. PMID: [20419634](https://pubmed.ncbi.nlm.nih.gov/20419634/).