

UC Irvine

UC Irvine Previously Published Works

Title

Integrating Virus Monitoring Strategies for Safe Non-Potable Water Reuse

Permalink

<https://escholarship.org/uc/item/5g59f6sr>

Journal

Water, 14(8)

ISSN

2073-4441

Authors

Jiang, Sunny C
Bischel, Heather N
Goel, Ramesh
et al.

Publication Date

2022-04-02

DOI

10.3390/w14081187

Peer reviewed



Published in final edited form as:

Water (Basel). 2022 April 2; 14(8): . doi:10.3390/w14081187.

Integrating Virus Monitoring Strategies for Safe Non-potable Water Reuse

Sunny C. Jiang^{1,2}, Heather N. Bischel³, Ramesh Goel⁴, Diego Rosso^{1,2}, Samendra Sherchan⁵, Katrine L. Whiteson⁶, Tao Yan⁷, Helena M. Solo-Gabriele^{8,*}

¹Department of Civil and Environmental Engineering, University of California, Irvine, CA 92697, USA;

²Water-Energy Nexus Center, 844G Engineering Tower, University of California, Irvine, CA 92697-2175

³Department of Civil & Environmental Engineering, University of California, Davis CA 95616;

⁴Department of Civil & Environmental Engineering, University of Utah, Salt Lake City, Utah 84112

⁵Department of Environmental Health sciences, Tulane university, New Orleans, LA 70112

⁶Department of Molecular Biology and Biochemistry, University of California, Irvine, CA 92697, USA;

⁷Department of Civil and Environmental Engineering, and Water Resources Research Center, University of Hawaii at Manoa, HI 96822, USA;

⁸Department of Chemical, Environmental, and Materials Engineering, College of Engineering, University of Miami, Coral Gables, FL, 33146, USA;

Abstract

Wastewater reclamation and reuse have the potential to supplement water supplies, offering resiliency in times of drought and helping meet increased water demands associated with population growth. Non-potable water reuse represents the largest potential reuse market. Yet economic constraints for new water reuse infrastructure and safety concerns due to microbial water quality, and especially viral pathogen exposure, limit widespread implementation of water reuse. Cost-effective, real-time methods to measure or indicate viral quality of recycled water would do much to instill greater confidence in the practice. This manuscript discusses advancements in monitoring and modeling of viral health risks in the context of water reuse. First, we describe the current wastewater reclamation processes and treatment technologies with an emphasis on virus removal. Second, we review technologies for the measurement of viruses, both culture- and molecular-based, along with their advantages and disadvantages. We introduce promising viral surrogates and specific pathogenic viruses that can serve as indicators of viral risk for water reuse. We suggest metagenomic analyses for viral screening and flow cytometry

*Correspondence: hmsolo@miami.edu; Tel.: +1-305-284-2908.

Author Contributions: Conceptualization, S.C.J.; Methodology, S.C.J.; Writing – Original Draft Preparation, S.C.J., H.M.S.-G., S.S.; Writing – Review & Editing, H.N.B., R.G., D.R., S.S., K.L.W., T.Y.; Visualization, S.C.J., D.R.; Project Administration, S.C.J.; Funding Acquisition, S.C.J.

Conflicts of Interest: The authors declare no conflict of interest.

for quantification of virus-like particles as new approaches to complement more traditional methods. Third, we describe modeling to assess health risks through quantitative microbial risk assessments (QMRA), the most common strategy to couple data on virus concentrations with human exposure scenarios. We then explore the potential of artificial neural networks (ANNs) to incorporate suites of data from wastewater treatment processes, water quality parameters, and viral surrogates. We recommend ANNs as a means to utilize existing water quality data, alongside new complementary measures of viral quality, to achieve cost-effective strategies to assess risks associated with infectious human viruses in recycled water. Given the review, we conclude that technologies are ready for identifying and implementing viral surrogates for health risk reduction in the next decade. Incorporating modeling with monitoring data would likely result in more robust assessment of water reuse risk.

Keywords

Viruses; Wastewater; Reuse; Surrogates; Modeling

1. Introduction

Municipal wastewater reclamation and reuse represents an important opportunity to meet human civilization's ever-increasing water demands. Compared with wastewater reuse efforts in other water-stressed regions around the world, water reuse in the United States has significant room to grow in both quantity and diversity of applications. Currently, roughly 7–8% of municipal wastewater in the U.S. is reclaimed for reuse (U.S.EPA 2012), which is significantly less than the percentages in Israel and Singapore, where 85% and 35% of wastewater is treated for various reuse purposes (Angelakis and Snyder 2015). Recognizing that traditional water supplies are no longer a certainty for many municipal water utilities across the U.S., a wave of investment has been initiated in water reuse. So far, 17 U.S. states have planned reuse projects in the pipeline, exceeding \$18 billion in total investment (Anonymous 2017). California and Florida continue to lead reuse development, while planned water reuse projects in Hawai'i, Georgia, Wyoming, North Dakota, Pennsylvania, and Tennessee signal even more widespread adoption, according to Bluefield Research (Figure 1). Bluefield's nationwide database of reuse projects ballooned to 763 projects in 2017, in comparison to 135 projects just a few years prior (Anonymous 2017). The rapid development of reuse projects around the U.S. shows that water reuse is no longer just a drought mitigation strategy, but instead a viable option for utilities to boost water supplies.

Non-potable reuse is and will continue to be the dominant market share of reclaimed wastewater, while drinking water production from wastewater is a very small fraction of the planned water reuse share of the market (Lautze et al. 2014). Non-potable reuse applications vary by region; the main wastewater reuse applications include agricultural irrigation, landscape irrigation, industrial use, and non-potable urban uses including for in-door plumbing (Figure 1). Indirect potable reuse represents less than 2% of the market share of the global planned water reuse market (Warsinger et al. 2018). This trend is likely to continue due to the high cost of infrastructure investments, technology costs, and the low public acceptance to use recycled wastewater as a source of drinking water (Nkhoma et al.

2021). Standardized viral monitoring methods to assess treatment performance and risks of water reuse are critically needed for use in anticipated diverse non-potable reuse scenarios.

Treatment of wastewater for non-potable reuse varies significantly from region to region. There are no uniform engineering treatment processes or water quality standards at the national or international level. U.S. EPA guidelines for water reuse recommend secondary wastewater treatment followed by filtration and disinfection as technology processes for reclaiming municipal wastewater for urban uses, irrigation of food crops eaten raw, and recreational impoundments. The filtration process is no longer mandatory when the water is intended for use with restricted human access (U.S. EPA 2012), such as aesthetic impoundments, construction uses, processed food crops, industrial cooling, and other environmental uses where direct contact with humans is considered minimal.

Microbiological water quality guidelines for reuse water are based upon fecal coliform counts, with standards including no detectable fecal coliform/100 mL and less than 200 fecal coliforms/100 mL based on 7-day median value for unrestricted and restricted reuse types, respectively (U.S. EPA 2012). However, a complicating factor is that wastewater is known to include pathogenic viruses, and viruses may be impacted differently than fecal bacteria when treated. So, there is a need to investigate viral pathogens specifically to determine guidelines and regulatory criteria suitable to protect public health of those who may come in contact with reuse water (NAS 2012).

Viruses are ubiquitous and persistent in raw and treated wastewater as well as in receiving water bodies (Fumian et al. 2010). Human feces from infected persons are the main source of human viruses (Gerba et al. 2017, Symonds et al. 2009). A recent review captured the high abundance and diverse human viruses in human wastewater (Corpuz et al. 2020). Due to their small size (20~220 nm), low dose required for infection, and high resistance to wastewater treatment, including disinfection processes, viruses generally pose the highest health risk for water reuse (Gall et al. 2015, IAWPRC 1983).

To evaluate what is known and what is needed for wastewater reuse to gain acceptance from a microbiological safety perspective, this paper presents a review of the viral quality of reuse water. This review of viruses in reuse water differs from others in that it focuses on measurements of viral quality and describes conventional and new approaches for estimating risk. Other reviews focus on viruses in wastewater including their occurrence, methods of detection, potential to cause waterborne diseases (Zhang et al. 2016, Haramoto et al., 2018), technologies available to remove viruses from wastewater (Ibrahim et al. 2021), and the identification of viral surrogates (Farkas et al. 2020). Reviews on wastewater treatment for reuse focus on computing viral removal efficiencies based upon published datasets (Sano et al. 2016), and the reductions in viral loads to assure safety in the consumption of edible crops and drinking water (Gerba et al. 2017). This review differs in that it provides a review of water reclamation processes, human viruses and viral surrogates in wastewater, followed by traditional and innovative technologies for viral measurement and methods for assessing risk. The intended audience for this review is both practitioners (wastewater treatment plant operators) and researchers. As such the discussion at the end of this manuscript describes

advantages and disadvantages of the available technologies from a practical implementation viewpoint.

2. Water reclamation processes

As wastewater treatment is undergoing the transition to resource recovery, the previously known sewage or wastewater treatment facilities are now referred to as water resource recovery facilities (WRRFs). One of the main drivers to retrofit or upgrade facilities to WRRFs is water reclamation and reuse, which necessitates nutrient removal and filtration. In Figure 2 we illustrate the main unit operations responsible for water reclamation in most facilities in the United States. The treatment steps from left to right mirror the chronology of technology deployment, since a century ago most facilities were mere screening plants that later upgraded to settling and ultimately added biological treatment following the infrastructural wave of the 1970s (Metcalf and Eddy 2013). The treatment of wastewater can be accomplished with the goal of discharge to a water body (river, lake, ocean) by performing in series: screening and grit removal (in the head works); solids settling (in the primary clarifiers); biological oxidation of dissolved matter and non-settled solids (in the secondary process).

There exists a variety of secondary process options, with activated sludge having gained the majority of the treatment market worldwide since its invention by Ardern and Lockett (1914). The main benefits of this process are simplicity of design and operation, and the ability to reach advanced levels of nutrient removal. Other processes exist, each with their benefits and peculiarity. Of those illustrated in Figure 2, membrane bioreactors represent the most recent technological development, having been on the market for less than three decades. This process is particularly suitable for water reclamation, despite its elevated energy intensity, because it combines the two unit-operations of biological oxidation and filtration in one process.

A typical water reclamation standard used as reference worldwide is California's Title 22, which specifies filtration in the tertiary step of treatment (Crittenden et al, 2012). One must remember that filtration is performed with microfiltration membranes (with pore diameters of the order of $\sim 10^{-4}$ mm) and thus the barrier separation targets microorganisms but not viruses (Metcalf and Eddy 2013). Disinfection is always required downstream of the filtration step (Figure 2). When reclamation is pushed forward to the step of water reuse, further barrier separation is used (e.g., reverse osmosis). The energy associated with the last step can be substantial (Sobhani et al. 2012), yet much lower than the option of long-distance water importation (Tchobanoglous et al. 2011). However, the quality of the effluent water fits the criteria for many additional uses, including potable reuse.

Reduction of pathogen counts is one of the primary criteria used to assess reuse options and are quantified as log-reduction credits for each specific treatment process (WRRF 2015, Prado et al. 2019). Log-reduction credits are evaluated through the removal of reference human pathogens or surrogates, but often underestimate the removal efficiency of microorganisms (Rockey et al. 2019). Norovirus and *Cryptosporidium* spp. were identified as important reference pathogens when comparing treatment process layouts due to the

challenge for some treatment processes to abate them adequately (Soller et al. 2017). Establishing a suite of viral surrogates for ongoing monitoring of water reuse will provide value in establishing appropriate credits for water reuse treatment processing.

3. Current technologies for monitoring viruses

3.1 Sample Concentration Methods

The quantities and types of human enteric viruses in wastewater vary widely and depend on myriads of factors that include geographic location, season, and source of wastewater. High concentrations of target viruses can be detected easily from small amounts of wastewater or sludge samples, while greater volumes are generally required for detection following treatment for water reuse due to lower viral concentrations. To improve detection, it is necessary to concentrate viruses in water samples.

Several parameters, such as water quality or sample volume, can readily alter the efficiency of virus concentration and downstream detection approaches. One significant parameter influencing the performance of concentration technologies is natural organic matter. Organic matter in environmental samples and chemicals added during concentration/elution can inhibit DNA/RNA extractions and subsequent molecular detection steps. Inhibition of molecular detection due to organic matter is especially important to consider given the frequent use of PCR-based techniques for detection (Rodriguez et al. 2009, Haramoto et al. 2018).

Several different types of concentration methods are available (Table 1). A single method is rarely capable of effectively concentrating all viruses in a water sample. As a result, using the right concentration approach can enhance virus detection (Corpuz et al. 2020). Previous studies investigated a variety of primary and secondary virus concentration methods, including virus adsorption and elution (VIRADEL), electronegative filtration, electropositive filtration, size-exclusion, and coagulation/flocculation. Several previous reviews summarized and compared methods to concentrate viruses from water (Corpuz et al. 2020, Bofill-Mas et al. 2020, Cashdollar et al. 2013, Haramoto et al. 2018). Viral concentration methods that are useful for monitoring viruses in water reuse are highlighted below.

Electronegative membranes are commonly applied for virus concentration. Several studies demonstrated viral filtration using flat filter membranes with electronegative surface charge in electronegative filtration (Abdelzaher et al. 2008, Abdelzaher et al. 2009, Ahmed et al. 2020, APHA 2017, Bonilla et al. 2015). Haramoto et al. (2018) successfully concentrated viruses and protozoa from wastewater, river water, and groundwater samples using electronegative mixed cellulose ester membranes (pore size, 0.45 μm). More recently, electronegative membranes have also been used extensively for concentrating SARS-CoV-2 from wastewater, in efforts to document COVID-19 disease transmission (Sharkey et al. 2021; Sherchan et al., 2020). The VIRADEL method has been used to concentrate viruses from a variety of water samples, including seawater, tap water, surface water, and wastewater (Bofill-Mas et al. 2020). Virus recovery can vary widely depending on the types of water and viruses investigated (Corpuz et al. 2020).

Electropositive media and filters have also been applied in a variety of configurations for virus concentration. Examples include 1MDS filters (3M, Maplewood, MN USA) (Corpuz et al. 2020) and NanoCeram filters (Argonide, Sanford, USA). The NanoCeram filter media has been applied to concentrate viruses in drinking water (Cashdollar et al. 2013) and wastewater (Soto-Beltran et al. 2013, Corpuz et al. 2020) and are suggested as a less expensive alternative to the 1MDS filter (Li et al. 2010).

In addition to surface-charged filters, size-exclusion filtration methods allow for the simultaneous recovery of viruses and bacteria (Corpuz et al. 2020, Cashdollar et al. 2013, Qiu et al. 2016, Farkas et al. 2018). Another common ultrafiltration technique uses specialized cartridges designed for separation through membrane filters during centrifugation (Ahmed et al. 2020, KWR Water Research Institute, 2020).

Among coagulation/flocculation methods, skimmed milk flocculation was shown to be a low-cost, one-step virus concentration approach. This procedure entails flocculating viruses with skimmed milk proteins in pre-acidified water samples (pH 3.5), stirring for 8 hours, and gravity sedimentation of the floc for another 8 hours. The sedimented floc is centrifuged to obtain a pellet, which is resuspended in a smaller volume of phosphate buffer after supernatant removal. Virus recoveries using this method have been established at roughly 50% from 5 and 10-L samples of saltwater and river water (Corpuz et al. 2020, Cashdollar et al. 2013). The method is likely highly applicable to the treated wastewater for reuse. Another common coagulation/flocculation method utilizes polyethylene glycol precipitation (PEG) (Torii et al. 2021, Torii et al. 2022, Sangkham 2021). This method is similar to that of skimmed milk flocculation except that PEG and sodium chloride are added and the centrifugation and sedimentation steps are slightly different.

As these studies show, no single strategy for concentrating human enteric viruses in wastewater appears to be completely efficient (Gerba et al. 2017). Given the attention to SARS-CoV-2, the virus that causes COVID-19, in wastewater, a recent inter-laboratory method comparison study in recovery of SARS-CoV-2 from wastewater have been conducted (Sherchan et al., 2020). Three viral concentration methods (ultrafiltration, electronegative filtration, and PEG precipitation) did not present significant variability in the final outcomes (Pecson et al. 2020). Other strategies utilize settled solids and primary sludge to obtain highly sensitive detection of SARS-CoV-2 (Peccia et al. 2020, Graham et al. 2020). These methods rely on virus sorption to solids, which is generally elevated for viruses with a lipophilic outer envelope (Ye et al. 2016), but are expected to be less applicable to concentration of viruses in (low-solids) finished water produced for reuse. Applications of automated virus concentration techniques, including magnetic bead-based virus capture (Karthikeyan et al. 2021, Safford et al. 2022), demonstrate the potential for high-throughput virus concentration.

Given the emergence of various new target viruses of interest (e.g., crAssphage, tomato mosaic virus), recovery efficiencies of different concentration approaches may need to be reevaluated (Bofill-Mas et al. 2020). The influence of viral shape, surface charge, hydrophobicity and other characteristics on recovery efficiencies of existing concentration methods should be evaluated. Given the wide range of viral recoveries from various

water matrices, as well as the discoveries of new viruses, incorporating viral concentration efficiency controls on a regular basis will be beneficial for future research and applications in practice.

3.2 Culture versus molecular detection

Cell culture methods are the gold standard for detecting infectious viruses, but next-generation molecular tools have been widely utilized for detecting enteric viruses in water samples (Tandukar et al. 2020). Polymerase chain reaction (PCR)-based methods enable faster detection timeframes (within hours), higher sensitivity and specificity, and the capacity to detect viruses that are difficult to culture (Table 1).

Multiplex qPCR assays that use distinct fluorophores for various targets can detect several targets in a sample at the same time, albeit this method is restricted by the wavelength ranges that current qPCR instruments can detect (usually 2 to 5 wavelength ranges) (Rodriguez et al. 2009). High-throughput qPCR using microfluidic technology has been demonstrated as a direct multi-pathogen detection approach for ambient water samples to circumvent this constraint. This technology makes use of microfluidic chips, which allow for high-throughput measurement of large sample quantities for a variety of enteric viruses and other pathogens (Kishida et al. 2014, Xue et al. 2018).

A downside of PCR-based approaches is that they are susceptible to inhibitory compounds that are frequently co-concentrated with viruses, such as humic acids commonly found in environmental water samples. Various strategies have been applied to reduce the effects of inhibitory substances. For instance, magnetic bead-based extraction methods may remove (RT-) qPCR inhibitors more efficiently than spin column-based approaches (Gerba et al. 2017).

Droplet digital PCR (ddPCR) has also been shown to have improved performance in the presence of inhibitory compounds as compared to qPCR (Ciesielski et al. 2021). ddPCR performs better because it is an end-point positive/negative detection with Poisson statistics, so it has higher accuracy and precision against PCR inhibition. Furthermore, ddPCR directly quantifies viral gene copies in a sample without the need for calibration by known-concentration standards (Vasudevan et al. 2021, Mousazadeh et al. 2021).

4. Viruses and Viral Surrogates in Wastewater for Reuse

Risk-based assessments of wastewater treatment performance and water reuse applications should include both quantitative assessment of waterborne pathogenic human viruses known to be in circulation as well as non-pathogenic virus surrogates for human viral pathogens. The presence and loads of human viruses within treated wastewater will depend upon the health characteristics of the communities contributing to the wastewater and the efficacy of the treatment operations to remove the viruses. Hence, the number and type of human pathogenic viruses in untreated and treated wastewater will vary regionally and over time. Given the high level of variability of human viruses in wastewater, viral surrogates are often used to assess viral risks. The EPA defines viral surrogates as, “Nonpathogenic (e.g., coliphage, pepper mild mottle virus [PMMoV], etc.) or pathogenic viruses (e.g., adenovirus,

norovirus, etc.) and/or other types of indicators demonstrated to predict the presence of and/or risk of illness from human pathogenic viruses (e.g., enterococcus qPCR [EPA Method 1609. U.S. EPA 2013], the human marker HF183, etc.) via co-occurrence studies and quantitative microbial risk assessments.” Given this EPA definition, viral surrogates are surrogates of risk of illnesses from viruses as a whole and thus pathogenic viruses themselves can serve as surrogates of risk.

Much research characterizes the occurrence and abundance of pathogenic human viruses and viral surrogates in wastewater. Table 2 shows virus panels that represent structurally diverse targets, including viruses with single-stranded (ss) or double-stranded (ds) DNA and RNA genomes as well as a range of sizes and morphologies. This list is not meant to be all inclusive but is intended to capture a range of physicochemical properties that influence the inactivation and removal efficiency of viruses undergoing diverse treatment processes. Moreover, we present a combination of human viruses that we expect to have wide geographic relevance and comprise a range of disease etiologies with varying seasonal prevalence patterns. This section further describes types of viral surrogates in wastewater along with molecular- and culture-based assays for their detection. We also discuss the use and importance of metagenomics for virus discovery. Non-viral surrogates are described in Section 5.

4.1 Human viruses

Human enterovirus, norovirus, and adenovirus are frequently used in risk-based water quality assessments because of their high abundance in wastewater, their importance in waterborne outbreaks, and the historical data on their prevalence in wastewater around the world. Enteroviruses including coxsackievirus, enterovirus 71, coxsackie A virus, DHV-1a, and DHV-3 are considered the most prevalent viruses in the world (Betancourt and Shulman 2017). They cause a number of infectious illnesses, which are usually mild. Children, particularly those younger than 10 years old, are most likely to be infected. Human noroviruses are the leading cause of epidemic gastroenteritis in all age groups. They are the leading cause of acute gastroenteritis in the United States and are responsible for at least 50 % of acute gastroenteritis outbreaks occurring worldwide each year (CDC 2020). Adenoviruses in water have been extensively investigated and reviewed (Jiang, 2006). The high abundance (typically 10^8 - 10^{10} gc/L in raw wastewater) and relatively ease of detection has made adenovirus a popular target for monitoring of viral quality in water. With a double-stranded DNA genome, adenovirus is more resistant to UV disinfection than other viral pathogens during wastewater reclamation (Eischeid 2011). Diverse serotypes of human adenoviruses are responsible for both enteric illnesses and respiratory and eye infections. Unlike the three viruses discussed above, aichivirus (Table 2) has been identified more recently in wastewater. High concentrations of aichivirus have been found in over 90% of wastewater tested in the Netherlands, Japan and North America (Lodder et al. 2013, Kitajima et al. 2011, Kitajima et al. 2015, Tandukar et al. 2020b,c), suggesting that further investigation of aichivirus to assess treatment performance is warranted. Most human viruses that are identified in high concentrations in wastewater are transmitted through fecal-oral pathways with the exception of human adenovirus. Amongst various serotypes of adenoviruses, serotypes 40 and 41 are enteric viruses and are transmitted through fecal-oral

route, while adenovirus serotype 5 causes respiratory infection and is transmitted by aerosols but also shed in human feces in high concentration (Jiang 2006). Understanding the viral transmission pathways has important implications on health risk assessment.

Enteric viruses in wastewater show clear seasonality in concentrations and are unlikely to be detected in wastewater at all times of year (Farkas et al. 2018, Tandukar et al. 2020a). Human virus panels designed for risk-based monitoring of recycled water should thus attempt to capture known seasonality of regionally significant waterborne viruses. For instance, enteroviruses peak in the summer while noroviruses peak during winter in temperate climates. In contrast, human adenovirus and aichivirus are frequently found in wastewater without any distinct seasonality. Data on the presence and removal of a suite of human viruses alongside other water treatment operations and water quality may thus provide a broad picture of viral pathogens and their removal during wastewater reclamation throughout a given year.

4.2 Viral surrogates for human viruses

Various viral surrogates for human viruses have been proposed to indicate removal of infectious viruses during wastewater treatment. Among them, somatic and F-specific coliphage are top candidates. In fact, a large body of work has evaluated the suitability of coliphages as indicators of human viral contamination in recreational water (U.S. EPA 2012). In comparison with human virus infectivity assays, coliphage assays are significantly faster, cheaper, and easier. Advancements in genome-based methods have also identified new potential surrogates for human viruses in wastewater, with pepper mild mottle virus (PMMoV) and crAssphage rising as particularly promising candidates (Table 2). In 2021, tomato brown rugose fruit virus (ToBRFV) was found to be the most abundant RNA virus in Southern California wastewater, in much greater abundance than PMMoV (Rothman et al 2021). These potential human viral surrogates, although morphologically and physiologically distinct from human enteric viruses, are found in high concentrations in municipal wastewater. Furthermore, recent studies evaluating viral indicators (Farkas et al. 2020, Amarasiri et al. 2017) suggest gut-associated bacteriophages beyond crAssphage as additional potential viral surrogates, with the advantage of adding human specificity over the more abundant plant viruses.

Coliphages—Coliphages are bacterial viruses that infect *E. coli* and are found in human fecal waste. Coliphages are relatively easy and inexpensive to measure through culture-based techniques, which are based upon counts of plaque forming units (PFU) on agar containing the host bacteria (Grabow 2001). This technique provides an approximation of the presence and number of infective coliphage viruses. These analyses help overcome limitations of PCR, which measures genetic material regardless of infectivity. Coliphages are considered better indicators for viral pathogens than traditional FIB (fecal indicator bacteria) due to their more similar physical structure and morphology, and they have higher persistence in treatment processes (Agulló-Barceló et al. 2016, Jofre et al. 2016, Nappier et al. 2019). Coliphages are generally expected to exhibit persistence in environmental waters and response to treatment that is similar to human enteric viruses, but extensive reviews of environmental data reveal varying patterns (US EPA 2015). The detection of infectious

coliphage in reuse water implies a potential presence of infectious human viruses in the same wastewater or the failure of treatment processes to inactivate viruses.

Coliphages are separated into two classes: somatic and male-specific (otherwise known as F+ or F-specific) coliphage. Somatic coliphages are DNA viruses that infect host bacteria via the outer membrane. They consist of a broad range of coliphage types and have been included in many environmental studies. Male-specific coliphages (F+) were originally believed to contain a single-stranded RNA genome (APHA 2005) but are now known to include viruses with DNA- or RNA-based genomes (U.S. EPA 2018). The male-specific coliphages (F+) infect host bacteria through an appendage, the F-pilus of male strains of *E. coli*, used for bacterial conjugation. Various studies suggest that somatic coliphages are more abundant than F-specific coliphages in untreated wastewater, primary and raw sludge. With few exceptions, similar relative proportions of somatic coliphages, F-specific bacteriophages, and RNA F-specific bacteriophages are measured in secondary effluents from wastewater treatment plants when counted using standardized methods in the same samples (Grabow et al. 1998, Jofre et al. 2016, Georgia et al. 2006). F-specific bacteriophages are inactivated by high temperature or high pH and have low persistence in warmer climates. F-specific bacteriophages thus perform more accurately as indicators in samples where they predominate, such as groundwater, clay sediments, and reclaimed waters (Toribio-Avedillo et al. 2021). MS2 is a strain of F+ RNA (group I) coliphage. Because of the resemblances of physical size and shape of MS2 and its genomic content to many human enteric viruses (i.e., enterovirus), MS2 has been proposed as viral surrogate by EPA for recreational water quality. Somatic coliphages are greatly affected both by UV radiation as well as chlorination. Chlorination may not significantly change the relative proportion of somatic and F-specific coliphages (Georgia et al., 2006), but somatic coliphages are found to be lower in number than F-specific coliphages following UV treatment. F-specific coliphages may therefore be better indicators in effluents from facilities using UV treatment (Montemayor et al. 2008, Jofre et al. 2016).

CrAssphage—CrAssphage is a group of dsDNA bacteriophage infecting *Bacteroides* spp. (Shkoporov et al. 2018) and potentially other bacterial hosts. CrAssphage is highly abundant in wastewater (excreted by 50–70% of people). This group was named based on its metagenome-assembled genome and is thought to belong to the normal human gut virome (Edwards et al. 2019). Importantly, crAssphage can be specifically associated with humans, and is a specific indicator of human waste, distinguishable from other animal waste. There is still much to be learned about crAssphage in wastewater, although some groups are already using it as a specific indicator of human fecal contamination (Kongprajug et al. 2019, García-Aljaro et al. 2017, Green et al. 2020, Farkas et al. 2019, Sangkaew et al. 2020, Wu et al. 2020, Tandukar et al. 2020a, Ward et al. 2020). In addition, qPCR comparisons of crAssphage abundance with PMMoV and aichivirus show that crAssphage abundance correlates with human viral pathogens and is found in high abundance relative to other tested viruses (Tandukar et al. 2020a).

Pepper mild mottle virus—Pepper mild mottle viruses (PMMoV) are non-enveloped, rod-shaped plant pathogens that contain a single-stranded RNA (ssRNA) genome (Fauquet

et al. 2005, Rosario et al. 2009). Several characteristics make PMMoV a valuable indicator of human fecal load in a water sample from diverse geographic regions. PMMoV are ubiquitous and present at high concentrations in human feces worldwide (Kitajima et al. 2018). PMMoV virions are also stable over a range of environmentally relevant temperatures (Kitajima et al. 2018). Since the presence of PMMoV is dietary in origin, PMMoV may be a more consistent indicator of fecal load than viruses that cause human disease (Kitajima et al. 2018). Finally, PMMoV is rarely found in animal feces, limiting the potential for animal fecal contributions to bias PMMoV-based estimates of human fecal load (Rosario et al. 2009). PMMoV have been used extensively as a measure of fecal strength in wastewater in analyses of SARS-CoV-2.

PMMoV does have several limitations as a water-quality indicator. PMMoV's morphology and surface charge are markedly different from enteric viruses. This could lead to differences between PMMoV and viruses of interest with respect to environmental behavior and removal/reduction rates under different treatment processes. The co-occurrence of PMMoV with human viruses is poorly understood, if not inconsistent, and requires further investigation. There are also concerns of underestimating viral removal efficiency due to the high stability of PMMoV genome fragments. On the other hand, PMMoV detection may offer a conservative estimation of viral risk in water reuse.

4.3 Metagenomics Approaches

Metagenomics can provide unique insights for selecting targeted viral surrogates for non-potable reuse of wastewater. As sequencing and bioinformatics pipelines continue to rapidly evolve, they may offer more comprehensive input data for risk assessments. Already known to be the most abundant biological entities in the earth's biosphere (Paez-Espino et al. 2016), virus diversity is expected to be significantly larger than currently known. The current 10th report by the International Committee for the Taxonomy of Viruses identified 189 viral families and 9110 viral species (Walker et al. 2021), while one study estimated more than 320,000 viral species infecting mammals alone (Anthony et al. 2013). As municipal wastewater contains both fecal and other human bodily wastes, it is expected to contain viruses of diverse origins, including human viral pathogens, plant and animal viruses from dietary ingestion, and bacteriophages that infect the human microbiome. Metagenomics based on the emerging next generation sequencing (NGS) technologies requires no *a priori* knowledge of the targets and hence has the unique capability of providing more comprehensive mapping of the viral diversity in wastewater and identifying new potential viral surrogates.

Metagenomic characterization of viruses in wastewater have reported a highly diverse wastewater virome with specific host affiliation profiles. Many studies have reported that a significant portion of wastewater viral metagenomic sequences have no known matches in reference databases (Aw et al. 2014, Bibby et al. 2013, Fernandez-Cassi et al. 2018, O'Brien et al. 2017), indicating tremendous virus diversity in wastewater. Sequences assigned to human viral pathogens (either enteric or respiratory) are usually present but at very low abundance levels (e.g., often less than 1% of the total reads or contigs) (Aw et al. 2014, Bibby et al. 2013, Hjelmsø et al. 2019, Ng et al. 2012). For example, in a 2021 study

of Southern California wastewater, norovirus was detected in the majority of unenriched or enriched wastewater samples, while PMMoV was detected in all samples regardless of enrichment (Rothman et al. 2021). Although direct metagenomic detection of human pathogenic viruses may be the most unbiased approach for microbial risk assessment in water reuse, the low abundance and associated requirements for pre-processing of wastewater samples and post-sequencing bioinformatic analysis could present significant technical challenges. A resurgence of interest in wastewater monitoring of SARS-CoV-2 has led to additional approaches for analyzing imperfect sequence data to assess the abundance and distribution of variants of concern, all of which may expand the utility of wastewater sequencing (Pipes et al. 2022, Karthikeyan et al. 2021, Baaijens et al. 2021).

Metagenomic characterization of the wastewater viromes have led to the identification of potential alternative viral surrogates. Analysis of human fecal metagenomes has led to the discovery of the most abundant phage in human feces. The previously unknown *Bacteroides* phage, crAssphage (Cantalupo et al. 2011), was also shown to be the most abundant phage in wastewater virome (Tamaki et al. 2011). Given the high abundance of fecal bacteria in wastewater, not surprisingly, many viral sequences in wastewater virome were identified to belong to bacteriophages, including crAssphage (Aw et al. 2014, Ng et al. 2012, Dutilh et al. 2014, Stachler et al. 2014). Metagenomic sequencing of wastewater viromes has also detected plant viruses as the largest group of eukaryotic viruses in wastewater viromes, which is attributable to undigested plant matter in human fecal matter (Victoria et al. 2009). Among many different plant viral families, the Tobamovirus pepper mild mottle virus (PMMoV) was previously detected by metagenomic sequencing as the dominant RNA virus in human feces (Zhang et al. 2006), which has also been suggested as a viral surrogate in fecal pollution (Rosario et al. 2009) and may also be potentially suitable for water quality monitoring in water reuse.

5. Non-Viral Indicators of Viral Quality

5.1 Physicochemical water quality parameters

Physicochemical water quality parameters measured at wastewater treatment plants have the potential to support viral health risk assessments by informing expectations about treatment performance and by indicating virus removal efficiency (e.g., by breakthrough of small molecules in a reverse osmosis system). Total organic carbon (TOC) and electrical conductivity (EC) are easily measurable water quality parameters that can serve as conservative surrogates for continuous monitoring of microbe removal for water reuse (Fujioka et al. 2019, Tchobanoglous et al. 2015). Other physicochemical parameters, such as pH, NH_4^+ , turbidity, and adenosine triphosphate (ATP) also offer rapid and low-cost measures of water quality. In Section 6.2 we discuss new modeling approaches that could integrate diverse data inputs to determine which provide meaningful indication of virus infectivity and removal.

5.2 Bacterial surrogates

Bacterial surrogates for human viral pathogens are likely to provide an incomplete understanding of viral health risks in water reuse, but information from bacterial monitoring

programs may ultimately provide utility in viral health risk assessments. Common bacterial surrogates include coliform bacteria (especially *Escherichia coli*), fecal streptococci, enterococci, and bacteria belonging to the genus *Bacteroides* (Lin and Ganesh 2013, Papp et al. 2020). Fecal indicator bacteria (FIB) have had a long history to establish their utility for microbial water quality monitoring. FIB are not pathogenic in themselves but are used to “indicate” the possible presence of pathogens. The coliform group of bacteria was the original FIB group, dating back to 1914 (NRC 2004), used to regulate drinking water. This group is still used today to regulate drinking water supplies except that regulations also require measurements of specific subcategories of total coliform, fecal coliform (which selects for coliforms of fecal origin by using a higher incubation temperature) and *E. coli* (based on the action of β -glucuronidase).

As for viruses, differences in source, size, morphology, persistence, stability, genome structure, and other characteristics of bacterial surrogates can (1) lead to differences in the ways that surrogates and targets respond to different treatment processes and (2) can create inconsistent relationships between surrogates and targets in different settings. Using multiple surrogates or surrogate approaches is often recommended to obtain a comprehensive and reliable water-quality assessment. For bacterial monitoring, this may mean combining monitoring of one or more individual surrogate species with approaches that examine the broader bacterial community in a water sample. Examples of the latter include heterotrophic plate count (HPC) (Bartram et al. 2013), the 16s rRNA gene assay (Papp et al. 2020), and flow cytometry (FCM) (Safford and Bischel 2019). Such approaches are especially useful for monitoring bacterial regrowth in drinking-water infrastructure (Buyschaert et al. 2018), and generally for assessing water quality in highly treated waters where the concentration of any individual surrogate is expected to be low (Olivieri et al. 2016).

The use of coliforms for regulating recreational water has been questioned as it has been found that environmental sources other than feces can contribute to the presence of the coliform group of microbes. Alternative sources have been observed in both tropical and subtropical climates (Fujioka 2001, Fujioka et al. 1998, Hardina and Fujioka 1991, Hazen et al. 1987) and most recently within temperate regions (Byappanahalli et al. 2006, Whitman and Nevers 2003). Alternative bacteria have been identified as *Clostridium perfringens* (Fujioka and Shizumura 1985) and enterococci (previously known as fecal streptococci). Enterococci includes a group of 26 species of *Enterococcus* (Klein 2003). These alternative indicators of fecal contamination can potentially be used to supplement viral surrogates in water reuse.

5.3 Virus-like particles as viral removal and viral safety indicator

An important remaining challenge associated with enumeration strategies for human viruses and viral surrogates is the lengthy time for analysis (from hours for PCR, to days for bacteriophage culture, to more than a week for human virus culture). Flow cytometry (FCM), however, has the potential to quickly determine concentrations of biological particles in water samples. FCM refers to the analysis of particles (including cells, cell fragments, inorganic debris, and viruses) based on how they scatter light in the forward and side directions and/or fluoresce when passing through a laser beam. Switzerland’s Federal

Office of Public Health has officially endorsed FCM as an acceptable method for obtaining total cell counts for freshwater samples (SLMB 2012), and many utilities and regulatory bodies around the world are considering the same. The successful application of FCM to enumerate bacteria in drinking water demonstrates that FCM can characterize microbial water quality in a rapid, reliable, and reproducible manner. The recent development of better instrumentation and new fluorescent dyes has expanded applications of FCM from bacteria to viruses. The total number of viruses in wastewater is estimated to be in the range of 10^{11} /L based on direct counting under the microscope and by FCM (Huang et al. 2016). Ma et al. (2013) and Huang et al. (2016) both used FCM combined with sensitive nucleic-acid dyes to quantify abundance of virus-like particles (VLPs) at various stages of wastewater treatment. A review by Safford and Bischel (2019) of nearly 300 studies published in the past two decades concluded that “substantial progress” has been made in the application of FCM to water treatment, distribution, and reuse. Nevertheless, research has shown that FCM is only capable of detecting viral particles of relatively large physical and/or genome size (Dlusskaya et al. 2021). Despite progress on the use of FCM to detect viruses, demonstration studies of FCM in wastewater treatment are needed to evaluate correlations between total virus removal as detected by flow cytometry and removal of human viruses. Such studies would provide much value to understand the potential role of FCM in supporting measurements of viral quality and risk in municipal reuse applications.

6. Modeling

6.1 QMRA

Quantitative microbial risk assessment (QMRA) is an important tool for determining fit-for-purpose water reuse applications. QMRA is a mathematical approach used to estimate the risk of illness when humans are exposed to microbes. QMRA requires identifying the hazard, assessing the exposure, and understanding the response or illness once the dose is estimated. The results provide a characterization of risk which is typically expressed as the probability of illness. QMRA of viral pathogens for water reuse in irrigation and recreational impoundments has been investigated since the ‘90s (Asano et al. 1992, Hamilton et al. 2006). In recent years, risk modeling has evolved (1) from generating point-estimates of risk to characterizing its distribution, (2) from using hypothetically assumed water volumes retained in food crops to data collected through physical experiments, and (3) from simplifying assumptions about virus infectivity to considering relationships between infectious viruses and viral genomes in some cases (Olivieri et al. 2014, Petterson et al. 2001, Agulló-Barceló et al. 2012). However, nearly all food crop irrigation QMRAs were based on very old viral monitoring data from wastewater reclamation plants in Southern California (late ‘70s data) that do not represent the current state of water reclamation practices. Moreover, early QMRA studies assumed that enterovirus results were equivalent to rotavirus results and used a rotavirus dose-response model for a conservative risk measure (Tanaka et al. 1998, He et al. 2011). However, the risk of rotavirus infection does not appear on the top list for illness cases in the U.S. and is significantly lower than that of norovirus.

A norovirus dose-response model based upon PCR- detected viral genome has been developed and adopted in risk analysis of stormwater harvesting for household uses and

food crop irrigation (Lim et al. 2015). They have also shown the risk of viral transport from irrigation water through plant roots to edible portions even without direct contact with irrigation water (Chandrasekaran et al. 2018). Moreover, previous research has shown that pathogen dose is the most sensitive parameter in the risk outcome (Chandrasekaran et al. 2018). Therefore, to improve the accuracy of risk estimations, the data in gaps in viral concentrations in treated wastewater and dose-response models incorporating multiple pathogens should be addressed.

6.2 Modeling of infectious viruses using Artificial Neural Network (ANN)

Greater understanding of the complex and interdependent relationships between treatment performance, parameters that indicate viral quality, and the presence of infectious pathogenic viruses is needed to improve risk assessments. An intelligent systems approach, including models based on artificial neural networks, offers a potential solution to this classic challenge. An early application of ANNs in wastewater treatment demonstrated superiority of neural networks compared to conventional kinetic models of microbial inactivation during disinfection (Haas 2004). In the past quarter century, there has been an increase in application of ANN to a myriad of contexts—including wastewater process control (Jawad et al. 2021, Dias et al. 2020), constituent monitoring (Cecconi and Rosso 2021), treatment performance (Malviva and Dipika 2021, Newhart et al. 2020), and virus disinfection (Carvajal et al. 2017) or removal (Zhu et al. 2021) to deal with scaling challenges associated with multi-dimensional data. Yet applications of such data-driven models to assess viral risk are lacking. Here, we offer an example ANN model framework that incorporates treatment performance and viral quality parameters discussed in this paper to predict infectious enteric viruses (V_i) as follows (Figure 3):

$$[V_i] \in \{[Ent][Nor][Ade][Aic][s\emptyset][f\emptyset][PMMoV][CrA\emptyset][VLPs][NH_4^+][TSS][ClO^-][Temp][P]\},$$

where viral surrogates including PCR-detected viral pathogens (*Ent*, *Nor*, *Ade* and *Aic*), somatic and F-specific coliphage (*s* \emptyset and *f* \emptyset), PMMoV, CrAssphage (*CrA* \emptyset), and virus-like particles (*VLPs*) by flow cytometry, as well as water quality parameters including ammonia (NH_4^+), total suspended solids (*TSS*), free chlorine (ClO^-), temperature (*temp*) and a dummy variable (*P*) to differentiate different treatment operations and processes used in the reclamation plant operation are used as input variables in the model.

In this example, the presence of the infectious enteric virus in the treated wastewater relates to water quality parameters, virus surrogates, and treatment processes. ANN modeling can identify which parameters influence viral risk significantly and facilitate adaptive treatment strategies. Stable output predictions would require a multi-layer perceptron (MLP) ANN, composed of neurons, arranged into hidden layers, interconnected in parallel. In wastewater applications, ANNs with one hidden layer are the best structure to achieve accurate predictions without excessively increasing complexity and computational costs (Chen et al. 2003, Barron et al. 2009, Khataee and Mirzajani 2010). The number of neurons in the hidden layer is a fundamental parameter, which can be analyzed to obtain the desired accuracy of the infectious virus predictions. To each input is associated a weight

or coefficient that determines to which extent the input information is transmitted to its output.

In addition to the main neural network to predict the infectious virus in the effluent by exploiting the information from all the viral surrogates and treatment conditions, networks for detecting faults in the input variables would facilitate selection of appropriate model inputs. This involves construction of a neural network for each input variable to predict the targeted variable using the other surrogates and water quality parameters as input variables. Sensitivity analysis would point to which input variables have a higher influence on the output prediction and facilitate reduction in model complexity (Zhao et al. 2005). For example, the model structure can be simplified, as illustrated in Figure 3, from scenario A), which includes all surrogates and water quality parameters in this example, to scenario B), in which only a subset of surrogates and parameters are necessary. The surrogates with the greatest influence on the prediction outcome are the recommended surrogates for viral risk indication. Monte Carlo simulation can then be applied to quantify model uncertainty from model parameters, input data, or model structure (Menezes et al. 2018).

7. Discussion and Limitations

Our inability to adequately monitor human viruses and understand their removal during wastewater reclamation processes present significant challenges to critical water reuse objectives. Direct monitoring of human viruses to estimate viral risk in water reuse is currently limited in the quantification of infectious viruses within a reasonable time. Cell culture assay for viral infectivity, including ICC-PCR method, takes days to weeks and requires highly trained professional staff, which is not feasible for most wastewater reclamation utilities or regulatory agencies. PCR-based methods for virus detection are relatively fast and sensitive but lack the ability to directly indicate infectious virus, and therefore risk of infection. One possible solution is to integrate the presence of human viral genomes or other viral genome shed in human feces, as determined by PCR, with loss of viral infectivity as observed by viral surrogates alongside water quality parameters to predict infectious virus levels. Coliphage has shown promise for evaluating treatment efficacy for infectious viruses. Enumerating surrogates can help address challenges in direct monitoring of infectious human viral pathogens.

Although sophisticated measurement techniques can be developed, there will be practical limitations to their implementation. Integration of PCR detection technologies requires the purchase and maintenance of equipment and use of this equipment by trained personnel. The availability of equipment and trained personnel will represent a challenge for many water reuse operations. Even with PCR-based technologies results may not be tied directly to infectivity which would require additional techniques to address, such as culture-based coliphage assays and/or ICC-PCR. All infectivity protocols would require refurbishing traditional water quality laboratories which typically measure only for bacterial surrogates. Coliphage infectivity assays can be conducted in fashions similar to fecal indicator bacteria quantification but ICC-PCR would require viral culturing capabilities which have become less common in recent years resulting in a smaller pool of trained personnel.

Additional limitations in direct viral surrogate or pathogen quantification is the need for measuring very low levels of viruses which translates to concentrating very large volumes of water. This is particularly true for direct potable reuse which would dictate very low levels of viruses, at values of less than one per many liters of treated water. Filtering tens to hundreds (or even thousands) of liters of water would require on-site sample filtration processes which are then to be eluted and concentrated for analysis. This preprocessing is time consuming, and the filter cartridges can be expensive.

Given the technical challenges in directly measuring viral surrogates and pathogens, other simpler non-microbial measures should be considered along with viral detection technologies. The use of physical, chemical, and biological water quality measures such as conductivity, total organic carbon and total bacteria and virus-like particles can be indicative of possible treatment inadequacies or breakthroughs and can be used to supplement direct specific viral detection programs. Potentially simpler measures of water quality should be integrated into risk-based models, with the aid of artificial neural networks. Risk based QMRA models in themselves are limited in that dose-response relationships are not available for all viruses of concern and the synergistic effects of different viruses within a water sample are not well known. There is also uncertainty in the relationships between surrogates and viral pathogens. Ideally the hazard characterization portion of the QMRA should be recalibrated occasionally for a specific site through PCR-based measures of viral pathogens and/or surrogates coupled with culture-based measures of coliphage.

The desired outcome of a proposed viral monitoring program is that the target is measurable and is technically simple for widespread implementation. The on-going COVID-19 pandemic has promoted widespread implementation of wastewater-based surveillance of SARS-CoV-2 using genome-based approaches. These experiences suggest the feasibility of adopting molecular methods by wastewater treatment utilities. Moreover, the metagenome analysis of wastewater does not only provide information of viral quality of treated water but also gives insight to the pandemic prediction and forecasting. The rapid advancement of sequencing technology, robotic liquid handling for sample concentration and downstream target detection by ddPCR have already revolutionized the detection of diverse viral pathogens in wastewater. Looking into the future, streamlined sample collection, concentration, nucleic acid extraction, ddPCR detection of specific targets or automatic bioinformatic programs for pathogen identification using metagenomic sequencing data are possible within the next 5 years. More research on an improved understanding of the best surrogates, their response to treatment relative to particular viral pathogens, and their relationship to risk are needed in water reuse scenarios. A considerable amount of additional investigation is needed to develop practical approaches to ensure safety in water reuse.

8. Summary and Conclusion

One of the greatest challenges of water-quality monitoring is that pathogens (including viruses as well as bacteria and protozoa) are often present at concentrations high enough to present disease risks, but too low for direct detection. As a result, a variety of surrogate microorganisms are used as indicators of microbial water quality. In this review we

describe viral surrogates, viral pathogens, and other surrogate measures that can be used to monitor the safety of reuse waters. We recommend integrating all available treatment plant information (including unit operations utilized and physical-chemical water quality data) with artificial neural networks which in turn assess the adequacy of treatment processes to remove viral pathogens. This information can then be combined with a QMRA to evaluate risks from viral pathogens on a real-time basis. In an ideal scenario the reuse plant would have their waters intermittently tested for viral pathogens directly, perhaps through sensitive metagenomics approaches, coupled with measures of targeted viruses by qPCR and possibly viral surrogates by culture, to assess vulnerability to specific viruses and to assess the suitability of viral surrogates. A model based upon simple measures and QMRA is envisioned to assess risk on a continuous basis.

Acknowledgements:

We thank Elizabeth Gabriele for assistance with formatting.

Funding:

This project has been funded wholly or in part by the United States Environmental Protection Agency under assistance agreement (EPA-G2021-STAR-A1, Grant number: 84025701) to the University of California at Irvine. The contents of this document do not necessarily reflect the views and policies of the Environmental Protection Agency, nor does the EPA endorse trade names or recommend the use of any commercial products mentioned in this document. S. Jiang was also supported by USBR, R21AC10079-00 and NSF CBET 2027306. H. Solo-Gabriele was also supported by NIH, 1U01DA053941. S. Sherchan was partially supported by the NIH grant R21AI157434.

References

- Abdelzaher AM, Solo-Gabriele HM, Wright ME, & Palmer CJ (2008). Sequential concentration of bacteria and viruses from marine waters using a dual membrane system. *Journal of Environmental Quality*, 37(4), 1648–1655. 10.2134/jeq2007.0238 [PubMed: 18574199]
- Abdelzaher AM, Solo-Gabriele HM, Palmer CJ, & Scott TM (2009). Simultaneous concentration of Enterococci and coliphage from marine waters using a dual layer filtration system. *Journal of Environmental Quality*, 38(6), 2468–2473. 10.2134/jeq2008.0488 [PubMed: 19875803]
- Agulló-Barceló M, Casas-Mangas R, & Lucena F (2012). Direct and indirect QMRA of infectious cryptosporidium oocysts in Reclaimed Water. *Journal of Water and Health*, 10(4), 539–548. 10.2166/wh.2012.082 [PubMed: 23165711]
- Agulló-Barceló M, Galofré B, Sala L, García-Aljaro C, Lucena F, & Jofre J (2016). Simultaneous detection of somatic and F-specific coliphages in different settings *Byescherichia colistrain CB390*. *FEMS Microbiology Letters*, 363(17). 10.1093/femsle/fnw180
- Ahmed W, Bertsch PM, Bivins A, Bibby K, Farkas K, Gathercole A, Haramoto E, Gyawali P, Korajkic A, McMinn BR, Mueller JF, Simpson SL, Smith WJM, Symonds EM, Thomas KV, Verhagen R, & Kitajima M (2020). Comparison of virus concentration methods for the RT-qpcr-based recovery of murine hepatitis virus, a surrogate for SARS-COV-2 from untreated wastewater. *Science of The Total Environment*, 739, 139960. 10.1016/j.scitotenv.2020.139960 [PubMed: 32758945]
- Amarasiri M, Kitajima M, Nguyen TH, Okabe S, Sano D (2017). Bacteriophage removal efficiency as a validation and operational monitoring tool for virus reduction in wastewater reclamation: Review. *Water Res*, 121, 258–269. 10.1016/j.watres.2017.05.035. [PubMed: 28551509]
- American Public Health Association (APHA) (2005). Standard methods for the examination of water and wastewater (21st ed.). <https://www.abebooks.com/servlet/BookDetailsPL?bi=30906231866>
- American Public Health Association (APHA) (2017). Standard methods for the examination of water and wastewater (23rd ed.). <https://www.abebooks.com/9780875532875/Standard-Methods-Examination-Water-Wastewater-087553287X/plp>

- Angelakis AN, & Snyder SA (2015). Wastewater Treatment and Reuse: Past, Present, and Future. *Water*, 7(9), 488704895. 10.3390/w7094887
- Anonymous. Factsheet About Enteroviruses. (2010). European Centre for Disease Prevention and Control. <https://www.ecdc.europa.eu/en/enteroviruses/facts>.
- Anonymous. Report: 17 states invest in water reuse as a long-term supply strategy. *Underground Construction*. (2017). Retrieved from <https://ucononline.com/news/2017/04/report-17-states-invest-in-water-reuse-as-a-long-term-supply-strategy>
- Anthony SJ, Epstein JH, Murray KA, Navarrete-Macias I, Zambrana-Torrel CM, Solovyov A, Ojeda-Flores R, Arrigo NC, Islam A, Ali Khan S, Hosseini P, Bogich TL, Olival KJ, Sanchez-Leon MD, Karesh WB, Goldstein T, Luby SP, Morse SS, Mazet JA, Daszak P, & Lipkin WI (2013). A strategy to estimate unknown viral diversity in mammals. *MBio*, 4(5). 10.1128/mbio.00598-13
- Arden E, & Lockett WT (1914). Experiments on the oxidation of sewage without the aid of filters. *Journal of the Society of Chemical Industry*, 33(10), 523–539. 10.1002/jctb.5000331005
- Asano T, Leong LY, Rigby MG, & Sakaji RH (1992). Evaluation of the California wastewater reclamation criteria using Enteric Virus Monitoring Data. *Water Science and Technology*, 26(7–8), 1513–1524. 10.2166/wst.1992.0595
- Aw TG, Howe A, & Rose JB (2014). Metagenomic approaches for direct and cell culture evaluation of the virological quality of wastewater. *Journal of Virological Methods*, 210, 15–21. 10.1016/j.jviromet.2014.09.017 [PubMed: 25264099]
- Baaijens JA, Zulli A, Ott IM, Petrone ME Alpert T, Fauver JR, Kalinich CC, Vogels CBF, Breban MI, Duvallet C, McElroy K, Ghaeli N, Imakeaev M, Mckenzie-Bennett M, Robison K, Plocik A, Schilling R, Pierson M, Littlefield R, Spencer M, Simen BB, Yale SARS-CoV-2 Genomic Surveillance Initiative, Hanage WP, Grubaugh ND, Peccia J, & Baym M (2021). Variant abundance estimation for SARS-CoV-2 in wastewater using RNA-Seq quantification. medRxiv. 10.1101/2021.08.31.21262938
- Barron L, Havel J, Purcell M, Szpak M, Kelleher B, & Paull B (2009). Predicting sorption of pharmaceuticals and personal care products onto soil and digested sludge using Artificial Neural Networks. *The Analyst*, 134(4), 663. 10.1039/b817822d [PubMed: 19305914]
- Bartram J, Cotruvo J, Exner M, Fricker C, & Glasmacher A (2013). Heterotrophic Plate Counts and Drinking-water Safety: The Significance of HPCs for Water Quality and Human Health. World Health Organization. IWA Publishing, London. 10.2166/9781780405940
- Betancourt WQ, & Shulman LM (2017). Polioviruses and other Enteroviruses. In: Rose JB and Jiménez-Cisneros B, (eds) *Water and Sanitation for the 21st Century: Health and Microbiological Aspects of Excreta and Wastewater Management (Global Water Pathogen Project)*. (J.S Meschke, and R. Girones (eds), Part 3: Specific Excreted Pathogens: Environmental and Epidemiology Aspects - Section 1: Viruses), Michigan State University, E. Lansing, MI, UNESCO.
- Bibby K, & Peccia J (2013). Identification of viral pathogen diversity in sewage sludge by metagenome analysis. *Environmental Science & Technology*, 47(4), 1945–1951. 10.1021/es305181x [PubMed: 23346855]
- Bofill-Mas S, & Rusiñol M (2020). Recent trends on methods for the concentration of viruses from water samples. *Current Opinion in Environmental Science & Health*, 16, 7–13. 10.1016/j.coesh.2020.01.006
- Bonilla JA, Bonilla TD, Abdelzaher AM, Scott TM, Lukasik J, Solo-Gabriele HM, & Palmer CJ (2015). Quantification of protozoa and viruses from small water volumes. *International Journal of Environmental Research and Public Health*, 12(7), 7118–7132. 10.3390/ijerph120707118 [PubMed: 26114244]
- Buyschaert B, Vermijs L, Naka A, Boon N, & De Gussemme B (2018). Online flow cytometric monitoring of microbial water quality in a full-scale water treatment plant. *Npj Clean Water*, 1(1). 10.1038/s41545-018-0017-7
- Byappanahalli MN, Whitman RL, Shively DA, Sadowsky MJ, & Ishii S (2006). Population structure, persistence, and seasonality of autochthonous *Escherichia coli* in temperate, coastal forest soil from a Great Lakes Watershed. *Environmental Microbiology*, 8(3), 504–513. 10.1111/j.1462-2920.2005.00916.x [PubMed: 16478456]

- Cantalupo PG, Calgua B, Zhao G, Hundesa A, Wier AD, Katz JP, Grabe M, Hendrix RW, Girones R, Wang D, & Pipas JM (2011). Raw sewage harbors diverse viral populations. *MBio*, 2(5). 10.1128/mbio.00180-11
- Carvajal G, Roser DJ, Sisson SA, Keegan A, & Khan SJ (2017). Bayesian belief network modelling of chlorine disinfection for human pathogenic viruses in municipal wastewater. *Water Research*, 109, 144–154. 10.1016/j.watres.2016.11.008 [PubMed: 27883919]
- Cashdollar JL, & Wymer L (2013). Methods for primary concentration of viruses from water samples: A review and meta-analysis of recent studies. *Journal of Applied Microbiology*, 115(1), 1–11. 10.1111/jam.12143 [PubMed: 23360578]
- Cecconi F, & Rosso D (2021). Soft Sensing for On-Line Fault Detection of Ammonium Sensors in Water Resource Recovery Facilities. *Environmental Science & Technology*, 55 (14), 10067–10076. 10.1021/acs.est.0c06111 [PubMed: 34232030]
- Chandrasekaran S, & Jiang SC (2018). A dynamic transport model for quantification of norovirus internalization in lettuce from irrigation water and Associated Health Risk. *Science of The Total Environment*, 643, 751–761. 10.1016/j.scitotenv.2018.06.158 [PubMed: 30189580]
- Chen JC, Chang NB, Shieh WK. “Assessing Wastewater Reclamation Potential by Neural Network Model.” *Engineering Applications of Artificial Intelligence*, vol. 16, no. 2, 2003, pp. 149–157., 10.1016/s0952-1976(03)00056-3.
- Chen JC, Chang NB, & Shieh WK (2003). Assessing wastewater reclamation potential by neural network model. *Engineering Applications of Artificial Intelligence*, 16(2), 149–157. 10.1016/s0952-1976(03)00056-3
- Ciesielski M, Blackwood D, Clerkin T, Gonzalez R, Thompson H, Larson A, & Noble R (2021). Assessing sensitivity and reproducibility of RT-ddPCR and RT-qPCR for the quantification of SARS-COV-2 in wastewater. *Journal of Virological Methods*, 297, 114230. 10.1016/j.jviromet.2021.114230 [PubMed: 34252511]
- Corpuz MV, Buonerba A, Vigliotta G, Zarra T, Ballesteros F, Campiglia P, Belgiorno V, Korshin G, & Naddeo V (2020). Viruses in wastewater: Occurrence, abundance and detection methods. *Science of The Total Environment*, 745, 140910. 10.1016/j.scitotenv.2020.140910 [PubMed: 32758747]
- Crittenden JC, Trussell RR, Hand DW, Howe KJ, & Tchobanoglous G (2012). *Water treatment principles and design* (3rd ed.). MWH. <https://download.e-bookshelf.de/download/0000/5912/84/L-G-0000591284-0002363138.pdf>
- Dias CG, Henriques Librantz AF, & Rodrigues dos Santos FC (2020). Modeling and simulation of an intelligent system for dosage control of post-chlorination in water treatment plants. *Engenharia Sanitaria e Ambiental*, 25, 323–332. 10.6084/m9.figshare.12171339.v1
- Dlusskaya E, Dey R, Pollard PC, & Ashbolt N (2021). Outer Limits of Flow Cytometry to Quantify Viruses in Water. *ACS ES&T Water*, 1,5, 1127–1135. 10.1021/acsestwater.0c00113
- Dutilh BE, Cassman N, McNair K, Sanchez SE, Silva GG, Boling L, Barr JJ, Speth DR, Seguritan V, Aziz RK, Felts B, Dinsdale EA, Mokili JL, & Edwards RA (2014). A highly abundant bacteriophage discovered in the unknown sequences of human faecal metagenomes. *Nature Communications*, 5(1). 10.1038/ncomms5498
- Edwards RA, Vega AA, Norman HM, Ohaeri M, Levi K, Dinsdale EA, Cinek O, Aziz RK, McNair K, Barr JJ, Bibby K, Brouns SJ, Cazares A, de Jonge PA, Desnues C, Díaz Muñoz SL, Fineran PC, Kurilshikov A, Lavigne R, Mazankova K, McCarthy DT, Nobrega FL, Reyes Muñoz A, Tapia G, Trefault N, Tyakht AV, Vinuesa P, Wagemans J, Zhernakova A, Aarestrup FM, Ahmadov G, Alassaf A, Anton J, Asangba A, Billings EK, Cantu VA, Carlton JM, Cazares D, Cho G-S, Condeff T, Cortés P, Cranfield M, Cuevas DA, De la Iglesia R, Decewicz P, Doane MP, Dominy NJ, Dziewit L, Elwasila BM, Eren AM, Franz C, Fu J, Garcia-Aljaro C, Ghedin E, Gulino KM, Haggerty JM, Head SR, Hendriksen RS, Hill C, Hyöty H, Ilina EN, Irwin MT, Jeffries TC, Jofre J, Junge RE, Kelley ST, Khan Mirzaei M, Kowalewski M, Kumaresan D, Leigh SR, Lipson D, Lisitsyna ES, Llagostera M, Maritz JM, Marr LC, McCann A, Molshanski-Mor S, Monteiro S, Moreira-Grez B, Morris M, Mugisha L, Muniesa M, Neve H, Nguyen N.-phuong, Nigro OD, Nilsson AS, O’Connell T, Odeh R, Oliver A, Piuri M, Prussin AJ II, Qimron U, Quan Z-X, Rainetova P, Ramírez-Rojas A, Raya R, Reasor K, Rice GA, Rossi A, Santos R, Shimashita J, Stachler EN, Stene LC, Strain R, Stumpf R, Torres PJ, Twaddle A, Ugochi Ibekwe MA, Villagra N, Wandro S, White B, Whiteley A, Whiteson KL, Wijmenga C, Zambrano MM, Zschach H, &

- Dutilh BE (2019). Global Phylogeography and ancient evolution of the widespread human gut virus crassphage. *Nature Microbiology*, 4(10), 1727–1736. 10.1038/s41564-019-0494-6
- Eischeid AC, Thurston JA, & Linden KG (2011). UV disinfection of adenovirus: Present state of the research and Future Directions. *Critical Reviews in Environmental Science and Technology*, 41(15), 1375–1396. 10.1080/10643381003608268
- Farkas K, Adriaenssens EM, Walker DI, McDonald JE, Malham SK, & Jones DL (2019). Critical evaluation of crassphage as a molecular marker for human-derived wastewater contamination in the aquatic environment. *Food and Environmental Virology*, 11(2), 113–119. 10.1007/s12560-019-09369-1 [PubMed: 30758724]
- Farkas K, Cooper DM, McDonald JE, Malham SK, de Rougemont A, & Jones DL (2018). Seasonal and spatial dynamics of enteric viruses in wastewater and in riverine and estuarine receiving waters. *Science of The Total Environment*, 634, 1174–1183. 10.1016/j.scitotenv.2018.04.038 [PubMed: 29710623]
- Farkas K, McDonald J, Malham S, & Jones D (2018). Two-step concentration of complex water samples for the detection of viruses. *Methods and Protocols*, 1(3), 35. 10.3390/mps1030035 [PubMed: 31164575]
- Farkas K, Walker DI, Adriaenssens EM, McDonald JE, Hillary LS, Malham SK, & Jones DL (2020). Viral indicators for tracking domestic wastewater contamination in the aquatic environment. *Water Research*, 181, 115926. 10.1016/j.watres.2020.115926 [PubMed: 32417460]
- Fauquet CM, Mayo MA, Maniloff J, Desselberger U, & Ball LA (2005) *Virus Taxonomy*. Academic Press, 1258–1259. 10.1016/B978-0-12-249951-7.50022-5
- Fernandez-Cassi X, Timoneda N, Martínez-Puchol S, Rusñol M, Rodríguez-Manzano J, Figuerola N, Bofill-Mas S, Abril JF, & Girones R (2018). Metagenomics for the study of viruses in urban sewage as a tool for public health surveillance. *Science of The Total Environment*, 618, 870–880. 10.1016/j.scitotenv.2017.08.249 [PubMed: 29108696]
- Fujioka RS, & Shizumura LK (1985). *Clostridium Perfringens*, a Reliable Indicator of Stream Water Quality. *Journal (Water Pollution Control Federation)*, 57(10), 986–992. <http://www.jstor.org/stable/25042767>
- Fujioka R, Sian-Denton C, Borja M, Castro J, & Morpew K (1998). Soil: the environmental source of *Escherichia coli* and *Enterococci* in Guam's streams. *Journal of applied microbiology*, 85 Suppl 1, 83S–89S. 10.1111/j.1365-2672.1998.tb05286.x [PubMed: 21182696]
- Fujioka RS (2001). Monitoring coastal marine waters for spore-forming bacteria of faecal and soil origin to determine point from non-point source pollution. *Water Science and Technology*, 44(7), 181–188. 10.2166/wst.2001.0419
- Fujioka T, Makabe R, Mori N, Snyder SA, & Leddy M (2019). Assessment of online bacterial particle counts for monitoring the performance of reverse osmosis membrane process in potable reuse. *Science of The Total Environment*, 667 (2019): 540–544. 10.1016/j.scitotenv.2019.02.339 [PubMed: 30833252]
- Fumian TM, Leite JP, Castello AA, Gaggero A, Caillou MS, & Miagostovich MP (2010). Detection of rotavirus a in sewage samples using multiplex qPCR and an evaluation of the ultracentrifugation and adsorption-elution methods for virus concentration. *Journal of Virological Methods*, 170(1–2), 42–46. 10.1016/j.jviromet.2010.08.017 [PubMed: 20804786]
- Gall AM, Mariñas BJ, Lu Y, & Shisler JL (2015). Waterborne viruses: A barrier to safe drinking water. *PLOS Pathogens*, 11(6). 10.1371/journal.ppat.1004867
- García-Aljaro C, Ballesté E, Muniesa M, & Jofre J (2017). Determination of crassphage in water samples and applicability for tracking human faecal pollution. *Microbial Biotechnology*, 10(6), 1775–1780. 10.1111/1751-7915.12841 [PubMed: 28925595]
- Gerba CP, Betancourt WQ, & Kitajima M (2017). How much reduction of virus is needed for recycled water: A continuous changing need for assessment? *Water Research*, 108, 25–31. 10.1016/j.watres.2016.11.020 [PubMed: 27838026]
- Grabow WOK (2001). Bacteriophages: Update on application as models for viruses in water. *Water SA*, 27(2). 10.4314/wsa.v27i2.4999

- Grabow WOK, Vrey A, Uys M, & De Villiers JC (1998) Evaluation of the Application of Bacteriophages as Indicators of Water Quality. WRC Report No 540/1/98. Water Research Commission, Pretoria. <http://www.wrc.org.za/wp-content/uploads/mdocs/540-1-98.pdf>
- Graham KE, Loeb SK, Wolfe MK, Catoe D, Sinnott-Armstrong N, Kim S, Yamahara KM, Sassoubre LM, Mendoza Grijalva LM, Roldan-Hernandez L, Langenfeld K, Winnington KR, & Boehm AB (2020) SARS-CoV-2 RNA in wastewater settled solids is associated with COVID-19 cases in a large urban sewershed. *Environmental Science & Technology*, 55, 1, 488–498. 10.1021/acs.est.0c06191 [PubMed: 33283515]
- Green H, Wilder M, Middleton FA, Collins M, Fenty A, Gentile K, Kmush B, Zeng T, & Larsen DA (2020). Quantification of SARS-COV-2 and cross-assembly phage (crassphage) from wastewater to monitor coronavirus transmission within communities. 10.1101/2020.05.21.20109181
- Haas CN (2004). Neural networks provide superior description of *Giardia lamblia* inactivation by free chlorine. *Water Research*, 38 (14–15), 3449–3457. 10.1016/j.watres.2004.05.001 [PubMed: 15276762]
- Hamilton AJ, Stagnitti F, Premier R, Boland A-M, & Hale G (2006). Quantitative microbial risk assessment models for consumption of raw vegetables irrigated with reclaimed water. *Applied and Environmental Microbiology*, 72(5), 3284–3290. 10.1128/aem.72.5.3284-3290.2006 [PubMed: 16672468]
- Haramoto E, Kitajima M, Hata A, Torrey JR, Masago Y, Sano D, & Katayama H (2018). A review on recent progress in the detection methods and prevalence of human enteric viruses in water. *Water Research*, 135, 168–186. 10.1016/j.watres.2018.02.004 [PubMed: 29471200]
- Hardina CM, & Fujioka RS (1991). Soil: The environmental source of *Escherichia coli* and enterococci in Hawaii's streams. *Environmental Toxicology & Water Quality*, 6(2), 185–195. 10.1002/tox.2530060208
- Hazen TC, Santiago-Mercado J, Toranzos GA, & Bermudez M (1987). What does the presence of fecal coliforms indicate in the waters of Puerto Rico? A review. *Bol. Puerto Rico Medical Association*, 79, 189–193.
- He XQ, Cheng L, Zhang DY, Xie XM, Wang DH, & Wang Z (2011). One-year monthly survey of rotavirus, astrovirus and norovirus in three sewage treatment plants (stps) in Beijing, China and Associated Health Risk Assessment. *Water Science and Technology*, 64(6), 1202–1210. 10.2166/wst.2011.080 [PubMed: 22214071]
- Hjelmsø MH, Møllerup S, Jensen RH, Pietroni C, Lukjancenko O, Schultz AC, Aarestrup FM, & Hansen AJ (2019). Metagenomic analysis of viruses in toilet waste from long distance flights —a new procedure for Global Infectious Disease Surveillance. *PLOS ONE*, 14(1). 10.1371/journal.pone.0210368
- Huang X, Zhao Z, Hernandez D, & Jiang S (2016). Near real-time flow cytometry monitoring of bacterial and viral removal efficiencies during water reclamation processes. *Water*, 8(10), 464. 10.3390/w8100464
- Ibrahim Y, Ouda M, Kadadou D, Banat F, Naddeo V, Alsafar H, Yousef AF, Barceló d., Hasan SW (2021). Detection and removal of waterborne enteric viruses from wastewater: A comprehensive review. *Journal of Environmental Chemical Engineering*, 9(4), 105613. 10.1016/j.jece.2021.105613.
- IAWPRC Study Group on Water Virology (1983). The health significance of viruses in water. *Water Research*, 17(2), 121–132. 10.1016/0043-1354(83)90091-x
- Jawad J, Hawari AH, & Zaidi SJ (2021). Artificial neural network modeling of wastewater treatment and desalination using membrane processes: A review. *Chemical Engineering Journal*, 419, 129540. 10.1016/j.cej.2021.129540
- Jiang SC (2006). Human adenoviruses in water: occurrence and health implications: A critical review. *Environmental Science & Technology*, 40(23), 7132–7140. 10.1021/es060892o [PubMed: 17180959]
- Jofre J, Lucena F, Blanch A, & Muniesa M (2016). Coliphages as model organisms in the characterization and management of Water Resources. *Water*, 8(5), 199. 10.3390/w8050199

- Karthikeyan S, Ronquillo N, Belda-Ferre P, Alvarado D, Javidi T, Longhurst CA (2021). High-throughput wastewater SARS-CoV-2 detection enables forecasting of community infection dynamics in San Diego County. *Msystems* 6.2 (2021): e00045–21. 10.1128/mSystems.00045-21
- Karthikeyan S, Levy JI, De Hoff P, Humphrey G, Birmingham A, Jepsen K, Farmer S, Tubb HM, Valles T, Tribelhorn CE, Tsai R, Aigner S, Sathe S, Moshiri N, Henson B, Hakim A, Baer NA, Barber T, Belda-Ferre P, Chacón M, Cheung W, Cresini ES, Eisner ER, Lastrella AL, Lawrence ES, Marotz CA, Ngo TT, Ostrander T, Plascencia A, Salido RA, Seaver P, Smoot EW, McDonald D, Neuhard RM, Scioscia AL, Satterlund AM, Simmons EH, Aceves CM, Anderson C, Gangavarapu K, Hufbauer E, Kurzban E, Lee J, Matteson NL, Parker E, Perkins SA, Ramesh KS, Robles-Sikisaka R, Schwab MA, Spencer E, Wohl S, Nicholson L, Mchardy IH, Dimmock DP, Hobbs CA, Bakhtar O, Harding A, Mendoza A, Bolze A, Becker D, Cirulli ET, Isaksson M, Schiabor Barrett KM, Washington NL, Malone JD, Murphy Schafer A, Gurfield N, Stous S, Fielding-Miller R, Garfein R, Gaines T, Anderson C, Martin NK, Schooley R, Austin B, Kingsmore SF, Lee W, Shah S, McDonald E, Zeller M, Fisch KM, Laurent L, Yeo GW, Andersen KG, & Knight R (2021) Wastewater sequencing uncovers early, cryptic SARS-CoV-2 variant transmission. *medRxiv*. 10.1101/2021.12.21.21268143
- Khataee AR, & Mirzajani O (2010). UV/peroxydisulfate oxidation of C. I. Basic Blue 3: Modeling of key factors by Artificial Neural Network. *Desalination*, 251(1–3), 64–69. 10.1016/j.desal.2009.09.142
- Kishida N, Noda N, Haramoto E, Kawaharasaki M, Akiba M, & Sekiguchi Y (2014). Quantitative detection of human enteric adenoviruses in river water by microfluidic digital polymerase chain reaction. *Water Science and Technology*, 70(3), 555–560. 10.2166/wst.2014.262 [PubMed: 25098888]
- Kitajima M, & Gerba C (2015). Aichi virus 1: Environmental occurrence and behavior. *Pathogens*, 4(2), 256–268. 10.3390/pathogens4020256 [PubMed: 25996404]
- Kitajima M, Haramoto E, Phanuwat C, & Katayama H (2011). Prevalence and genetic diversity of Aichi viruses in wastewater and river water in Japan. *Applied and Environmental Microbiology*, 77(6), 2184–2187. 10.1128/aem.02328-10 [PubMed: 21257803]
- Kitajima M, Sassi HP, & Torrey JR (2018). Pepper mild mottle virus as a water quality indicator. *Npj Clean Water*, 1(1). 10.1038/s41545-018-0019-5
- Klein G (2003). Taxonomy, ecology and antibiotic resistance of enterococci from food and the gastro-intestinal tract. *International Journal of Food Microbiology*, 88(2–3), 123–131. 10.1016/s0168-1605(03)00175-2 [PubMed: 14596985]
- Kongprajug A, Mongkolsuk S, & Sirikanchana K (2019). Crassphage as a potential human sewage marker for microbial source tracking in Southeast Asia. *Environmental Science & Technology Letters*, 6(3), 159–164. 10.1021/acs.estlett.9b00041
- KWR Water Research Institute (2020). Protocol, SOP Wastewater SARS-CoV-2 RNA Assays.
- Lautze J, Stander E, Drechsel P, da Silva AK, & Keraita B (2014). Global experiences in Water Reuse. 10.5337/2014.209
- Li D, Shi H-C, & Jiang SC (2010). Concentration of viruses from environmental waters using nanoalumina fiber filters. *Journal of Microbiological Methods*, 81(1), 33–38. 10.1016/j.mimet.2010.01.018 [PubMed: 20109500]
- Lim K-Y, Hamilton AJ, & Jiang SC (2015). Assessment of public health risk associated with viral contamination in harvested urban stormwater for domestic applications. *Science of The Total Environment*, 523, 95–108. 10.1016/j.scitotenv.2015.03.077 [PubMed: 25863500]
- Lin J, & Ganesh A (2013). Water quality indicators: Bacteria, coliphages, enteric viruses. *International Journal of Environmental Health Research*, 23(6), 484–506. 10.1080/09603123.2013.769201 [PubMed: 23438312]
- Lodder WJ, Rutjes SA, Takumi K, & Husman AM (2013). Aichi virus in sewage and surface water, the Netherlands. *Emerging Infectious Diseases*, 19(8), 1222–1230. 10.3201/eid1908.130312 [PubMed: 23876456]
- Ma L, Mao G, Liu J, Yu H, Gao G, & Wang Y (2013). Rapid quantification of bacteria and viruses in influent, settled water, activated sludge and effluent from a wastewater treatment plant using flow cytometry. *Water Science and Technology*, 68(8), 1763–1769. 10.2166/wst.2013.426 [PubMed: 24185058]

- Mandilara GD, Smeti EM, Mavridou AT, Lambiri MP, Vatopoulos AC, & Rigas FP (2006). Correlation between bacterial indicators and bacteriophages in sewage and sludge. *FEMS Microbiology Letters*, 263(1), 119–126. 10.1111/j.1574-6968.2006.00414.x [PubMed: 16958859]
- Malviya A, & Jaspal D (2021). Artificial intelligence as an upcoming technology in wastewater treatment: a comprehensive review. *Environmental Technology Reviews*, 10 (1), 177–187. 10.1080/21622515.2021.1913242
- Menezes FC, Fontes RM, Oliveira-Esquerre KP, & Kalid R (2018). Application of uncertainty analysis of artificial neural NETWORKSFOR predicting coagulant and alkalizer dosages in a water treatment process. *Brazilian Journal of Chemical Engineering*, 35(4), 1369–1381. 10.1590/0104-6632.20180354s20170039
- Metcalf & Eddy, Inc. (2013). *Wastewater engineering: Treatment and resource recovery* (5th ed.). McGraw-Hill Medical Pub. <https://www.abebooks.com/servlet/BookDetailsPL?bi=30195864779>
- Montemayor M, Costan A, Lucena F, Jofre J, Muñoz J, Dalmau E, Mujeriego R, & Sala L (2008). The combined performance of UV light and chlorine during reclaimed water disinfection. *Water Science and Technology*, 57(6), 935–940. 10.2166/wst.2008.206 [PubMed: 18413956]
- Mousazadeh M, Ashoori R, Paital B, Kabda I I, Frontistis Z, Hashemi M, Sandoval MA, Sherchan S, Das K, & Emamjomeh MM (2021). Wastewater based epidemiology perspective as a faster protocol for detecting coronavirus RNA in human populations: A review with specific reference to SARS-COV-2 virus. *Pathogens*, 10(8), 1008. 10.3390/pathogens10081008 [PubMed: 34451472]
- Nappier SP, Hong T, Ichida A, Goldstone A, & Eftim SE (2019). Occurrence of coliphage in raw wastewater and in ambient water: A meta-analysis. *Water Research*, 153, 263–273. 10.1016/j.watres.2018.12.058 [PubMed: 30735956]
- National Academies of Science (NAS) (2012). *Water Reuse: Potential for Expanding the Nation's Water Supply Through Reuse of Municipal Wastewater*. The National Academies Press, Washington, DC. 10.17226/13303
- National Research Council (NRC) Committee on Indicators for Waterborne Pathogens (2004). *Indicators for Waterborne Pathogens*. National Academies Press, Washington DC. 10.17226/11010
- Newhart KB, Goldman-Torres JE, Freedman DE, Wisdom KB, Hering AS, & Cath TY (2021). Prediction of peracetic acid disinfection performance for secondary municipal wastewater treatment using artificial neural networks. *ACS ES&T Water*, 1(2), 328–338. 10.1021/acsestwater.0c00095
- Ng TF, Marine R, Wang C, Simmonds P, Kapusinszky B, Bodhidatta L, Oderinde BS, Wommack KE, & Delwart E (2012). High variety of known and new RNA and DNA viruses of diverse origins in untreated sewage. *Journal of Virology*, 86(22), 12161–12175. 10.1128/jvi.00869-12 [PubMed: 22933275]
- Nkhoma P, Alsharif K, Ananga E, Eduful M, & Acheampong M (2021). Recycled water reuse: What factors affect public acceptance? *Environmental Conservation*, 48(4), 278–286. 10.1017/S037689292100031X
- O'Brien E, Nakyazze J, Wu H, Kiwanuka N, Cunningham W, Kaneene JB, & Xagorarakis I (2017). Viral diversity and abundance in polluted waters in Kampala, Uganda. *Water Research*, 127, 41–49. 10.1016/j.watres.2017.09.063 [PubMed: 29031798]
- Olivieri AW, Seto E, Cooper RC, Cahn MD, Colford J, Crook J, Debroux J-F, Mandrell R, Suslow T, Tchobanoglous G, Hultquist RA, Spath DP, & Mosher JJ (2014). Risk-based review of California's water-recycling criteria for agricultural irrigation. *Journal of Environmental Engineering*, 140(6), 04014015. 10.1061/(asce)ee.1943-7870.0000833
- Olivieri AW, Crook J, Anderson MA, Bull RJ, Drewes JE, Hass CN, Jakubowski W, McCarty PL, Nelson KL, Rose JB, Sedlak DL, & Wade TJ (2016). Evaluation of the feasibility of developing uniform water recycling criteria for direct potable reuse. National Water Research Institute (NWRI) for the State Water Resources Control Board, Sacramento, CA. https://www.waterboards.ca.gov/drinking_water/certlic/drinkingwater/documents/rw_dpr_criteria/app_a_ep_rpt.pdf
- Paez-Espino D, Eloie-Fadrosch EA, Pavlopoulos GA, Thomas AD, Huntemann M, Mikhailova N, Rubin E, Ivanova NN, & Kyrpidis NC (2016). Uncovering Earth's virome. *Nature*, 536(7617), 425–430. 10.1038/nature19094 [PubMed: 27533034]

- Papp K, Moser D, & Gerrity D (2020). Viral surrogates in potable reuse applications: Evaluation of a membrane bioreactor and full advanced treatment. *Journal of Environmental Engineering*, 146(2), 04019103. 10.1061/(asce)ee.1943-7870.0001617
- Peccia J, Zulli A, Brackney DE, Grubaugh ND, Kaplan EH, Casanovas-Massana A, Ko AI, Malik AA, Wang D, Wang M, Warren JL, Weinberger DM, & Omer SB (2020). SARS-CoV-2 RNA concentrations in primary municipal sewage sludge as a leading indicator of COVID-19 outbreak dynamics. *MedRxiv*. 10.1101/2020.05.19.20105999
- Pecson BM, Darby E, Haas CN, Amha Y, Bartolo M, Danielson R, Dearborn Y, Di Giovanni G, Ferguson C, Fevig S, Gaddis E, Gray D, Lukasik G, Mull B, Olivas L, Olivieri A, & Qu Y (2020). Reproducibility and sensitivity of 36 methods to quantify the SARS-COV-2 genetic signal in raw wastewater: Findings from an interlaboratory methods evaluation in the U.S. 10.1101/2020.11.02.20221622
- Petterson SR, Ashbolt NJ, & Sharma A (2001). Microbial risks from wastewater irrigation of Salad Crops: A screening-level risk assessment. *Water Environment Research*, 73(6), 667–672. 10.2175/106143001x143402 [PubMed: 11833760]
- Pipes L, Chen Z, Afanaseva S, & Nielsen R (2022). Estimating the relative proportions of SARS-CoV-2 strains from wastewater samples. *medRxiv*. 10.1101/2022.01.13.22269236
- Prado T, de Castro Bruni A, Barbosa MRF, Garcia SC, de Jesus Melo AM, Sato MIZ (2019). Performance of wastewater reclamation systems in enteric virus removal. *Sci Total Environ*, 678, 33–42. 10.1016/j.scitotenv.2019.04.435. [PubMed: 31075600]
- Qiu Y, Lee BE, Ruecker NJ, Neumann N, Ashbolt N, & Pang X (2016). A one-step centrifugal ultrafiltration method to concentrate enteric viruses from wastewater. *Journal of Virological Methods*, 237, 150–153. 10.1016/j.jviromet.2016.09.010 [PubMed: 27630040]
- Rockey N, Bischel HN, Kohn T, Pecson B, Wigginton KR (2019). The utility of flow cytometry for potable reuse, *Current Opinion in Biotechnology*, 57, 42–49. 10.1016/j.copbio.2018.12.009. [PubMed: 30684865]
- Rodríguez Roberto A., Pepper IL, & Gerba CP (2009). Application of PCR-based methods to assess the infectivity of enteric viruses in environmental samples. *Applied and Environmental Microbiology*, 75(2), 297–307. 10.1128/aem.01150-08 [PubMed: 19011062]
- Rothman JA, Loveless TB, Kapcia III J, Adams ED, Steele JA, Zimmer-Faust AG, Langlois K, Wanless D, Griffith M, Mao L, Chokry J, Griffith JF, & Whiteson KL (2021). RNA Viromics of Southern California Wastewater and Detection of SARS-CoV-2 Single-Nucleotide Variants. *Applied and Environmental Microbiology*, 87(23), e01448–21. 10.1128/AEM.01448-21 [PubMed: 34550753]
- Rosario K, Symonds EM, Sinigalliano C, Stewart J, & Breitbart M (2009). Pepper mild mottle virus as an indicator of fecal pollution. *Applied and Environmental Microbiology*, 75(22), 7261–7267. 10.1128/aem.00410-09 [PubMed: 19767474]
- Rusinol M & Girones R (2017). Summary of Excreted and Waterborne Viruses. In: Rose JB and Jiménez-Cisneros B, (eds) *Water and Sanitation for the 21st Century: Health and Microbiological Aspects of Excreta and Wastewater Management (Global Water Pathogen Project)*. (J.S Meschke, and R. Girones (eds), Part 3: Specific Excreted Pathogens: Environmental and Epidemiology Aspects - Section 1: Viruses), Michigan State University, E. Lansing, MI, UNESCO.
- Safford H, Zuniga-Montanez RE, Kim M, Wu X, Wei L, Sharpnack J, Shapiro K, Bischel H (2022). Wastewater surveillance for COVID-19 response at multiple geographic scales: Aligning wastewater and clinical results at the census-block level and addressing pervasiveness of qPCR non-detects. *medRxiv* <https://www.medrxiv.org/content/10.1101/2022.01.28.22269911v1>
- Safford HR, & Bischel HN (2019). Flow cytometry applications in water treatment, distribution, and Reuse: A Review. *Water Research*, 151, 110–133. 10.1016/j.watres.2018.12.016 [PubMed: 30594081]
- Sangkaew W, Kongprajug A, Chyerochana N, Ahmed W, Mongkolsuk S, & Sirikanchana K (2020). Superior performance of human wastewater-associated viral markers compared to bacterial markers in tropical environments. *bioRxiv*. 10.1101/2020.10.26.355081
- Sano D, Amarasiri M, Hata A, Watanabe T, Katayama H (2016). Risk management of viral infectious diseases in wastewater reclamation and reuse: Review. *Environ Int*, 91, 220–9. 10.1016/j.envint.2016.03.001. [PubMed: 26985655]

- Sangkham S (2021). A review on detection of SARS-CoV-2 RNA in wastewater in light of the current knowledge of treatment process for removal of viral fragments. *Journal of Environmental Management*, 299, 113563. 10.1016/j.jenvman.2021.113563 [PubMed: 34488114]
- Sharkey ME, Kumar N, Mantero AMA, Babler KM, Boone MM, Cardentey Y, Cortizas EM, Grills GS, Herrin J, Kemper JM, Kenney R, Kobetz E, Laine J, Lamar WE, Mader CC, Mason CE, Quintero AZ, Reding BD, Roca MA, Ryon K, Solle NS, Schürer SC, Shukla B, Stevenson M, Stone T, Tallon JJ, Venkatapuram SS, Vidovic D, Williams SL, Young B, & Solo-Gabriele HM (2021). Lessons learned from SARS-COV-2 measurements in wastewater. *Science of The Total Environment*, 798, 149177. 10.1016/j.scitotenv.2021.149177 [PubMed: 34375259]
- Sherchan SP, Shahin S, Ward LM, Tandukar S, Aw TG, Schmitz B, Ahmed W, Kitajima M (2020). First detection of SARS-CoV-2 RNA in wastewater in North America: A study in Louisiana, USA. *Science of the Total Environment*, 743, 140621. 10.1016/j.scitotenv.2020.140621. [PubMed: 32758821]
- Shkoporov AN, Khokhlova EV, Fitzgerald CB, Stockdale SR, Draper LA, Ross RP, & Hill C (2018). ΦCrAss001 represents the most abundant bacteriophage family in the human gut and infects bacteroides intestinalis. *Nature Communications*, 9(1). 10.1038/s41467-018-07225-7
- SLMB (Schweizerische Lebensmittelbuch) (2012). Determining the total cell count and ratios of high and low nucleic acid content cells in freshwater using flow cytometry. Swiss Federal Office of Public Health. Bern, Switzerland.
- Sobhani R, Abahusayn M, Gabelich CJ, & Rosso D (2012). Energy footprint analysis of brackish groundwater desalination with zero liquid discharge in inland areas of the Arabian Peninsula. *Desalination*, 291, 106–116. 10.1016/j.desal.2012.01.029
- Soller JA, Eftim SE, Warren I, & Nappier SP (2017). Evaluation of microbiological risks associated with direct potable reuse. *Microbial Risk Analysis*, 5, 3–14. 10.1016/j.mran.2016.08.003
- Soto-Beltran M, Ikner LA, & Bright KR (2013). Effectiveness of poliovirus concentration and recovery from treated wastewater by two electropositive filter methods. *Food and Environmental Virology*, 5(2), 91–96. 10.1007/s12560-013-9104-6 [PubMed: 23412726]
- Stachler E, & Bibby K (2014). Metagenomic evaluation of the highly abundant human gut bacteriophage crassphage for source tracking of human fecal pollution. *Environmental Science & Technology Letters*, 1(10), 405–409. 10.1021/ez500266s
- Symonds EM, Griffin DW, & Breitbart M (2009). Eukaryotic viruses in wastewater samples from the United States. *Applied and Environmental Microbiology*, 75(5), 1402–1409. 10.1128/aem.01899-08 [PubMed: 19124584]
- Tamaki H, Zhang R, Angly FE, Nakamura S, Hong P-Y, Yasunaga T, Kamagata Y, & Liu W-T (2011). Metagenomic analysis of DNA viruses in a wastewater treatment plant in tropical climate. *Environmental Microbiology*, 14(2), 441–452. 10.1111/j.1462-2920.2011.02630.x [PubMed: 22040222]
- Tanaka H, Asano T, Schroeder ED, & Tchobanoglous G (1998). Estimating the safety of wastewater reclamation and reuse using Enteric Virus Monitoring Data. *Water Environment Research*, 70(1), 39–51. 10.2175/106143098x126874
- Tandukar S, Sherchan SP, & Haramoto E (2020a). Applicability of crassphage, pepper mild mottle virus, and tobacco mosaic virus as indicators of reduction of enteric viruses during wastewater treatment. *Scientific Reports*, 10(1). 10.1038/s41598-020-60547-9
- Tandukar S, Sherchan SP & Haramoto E (2020b). Reduction of Pathogenic and Indicator Viruses at a Drinking Water Treatment Plant in Southern Louisiana, USA. *Food Environ Virol*, 12, 269–273. 10.1007/s12560-020-09436-y [PubMed: 32666473]
- Tandukar S, Sherchan SP, Haramoto E, (2020c). Reduction of human enteric and indicator viruses at a wastewater treatment plant in the United States, *Food Environ Virol*, 12, 260–263. 10.1007/s12560-020-09433-1 [PubMed: 32613519]
- Tchobanoglous G, Leverenz H, Nellor M, & Crook J (2011). Direct Potable Reuse - A Path Forward. WaterReuse Research Foundation, Project 11–00, Alexandria, VA. <https://watereuse.org/watereuse-research/11-00-direct-potable-reuse-a-path-forward/>
- Tchobanoglous G, Cotruvo J, Crook J, McDonald E, Olivieri A, Salveson A, & Trussell RS (2015). Framework for direct potable reuse. WaterReuse Association, American Water Works

Association, Water Environment Federation, National Water Research Institute, Alexandria, VA. <https://watereuse.org/wp-content/uploads/2015/09/14-20.pdf>

- Toribio-Avedillo D, Blanch AR, Muniesa M, & Rodríguez-Rubio L (2021). Bacteriophages as fecal pollution indicators. *Viruses*, 13(6), 1089. 10.3390/v13061089 [PubMed: 34200458]
- Torii S, Furumai H, & Katayama H (2021). Applicability of polyethylene glycol precipitation followed by acid guanidinium thiocyanate-phenol-chloroform extraction for the detection of SARS-COV-2 RNA from municipal wastewater. *Science of The Total Environment*, 756, 143067. 10.1016/j.scitotenv.2020.143067 [PubMed: 33131851]
- Torii S, Oishi W, Zhu Y, Thakali O, Malla B, Yu Z, Zhao B, Arakawa C, Kitajima M, Hata A, Ihara M, Kyuwa S, Sano D, Haramoto E, & Katayama H (2022). Comparison of five polyethylene glycol precipitation procedures for the RT-qPCR based recovery of murine hepatitis virus, bacteriophage PHI6, and pepper mild mottle virus as a surrogate for SARS-COV-2 from wastewater. *Science of The Total Environment*, 807, 150722. 10.1016/j.scitotenv.2021.150722 [PubMed: 34610400]
- U.S. Environmental Protection Agency (U.S. EPA) (2015). Review of Coliphages as Possible Indicators of Fecal Contamination for Ambient Water Quality. EPA Office of Water, Washington DC. 820-R-15-098. https://www.epa.gov/sites/default/files/2016-07/documents/review_of_coliphages_as_possible_indicators_of_fecal_contamination_for_ambient_water_quality.pdf
- U.S. Environmental Protection Agency (U.S. EPA) (2018). Method 1643: Male-specific (F+) and Somatic Coliphage in Secondary (No Disinfection) Wastewater by the Single Agar Layer (SAL) Procedure. EPA Office of Water, Washington DC. 820-R-18-003. https://www.epa.gov/sites/default/files/2018-09/documents/method_1643_draft_2018.pdf
- U.S. Environmental Protection Agency (U.S. EPA) (2012). Guidelines for Water Reuse. EPA National Risk Management Research Laboratory, Cincinnati, OH, U.S. Agency for International Development, Washington DC. EPA/600/R-12/618. <https://www.epa.gov/sites/default/files/2019-08/documents/2012-guidelines-water-reuse.pdf>
- U.S. Environmental Protection Agency (U.S. EPA) (2013). Method 1609: Enterococci in Water by TaqMan[®] Quantitative Polymerase Chain Reaction (qPCR) with Internal Amplification Control (IAC) Assay. U.S. EPA Office of Water, Washington DC. EPA-820-R-13-005. https://www.epa.gov/sites/default/files/2015-08/documents/method_1609_2013.pdf
- Vasudevan HN, Xu P, Servellita V, Miller S, Liu L, Gopez A, Chiu CY, & Abate AR (2021). Digital droplet PCR accurately quantifies SARS-COV-2 viral load from crude lysate without nucleic acid purification. *Scientific Reports*, 11(1). 10.1038/s41598-020-80715-1
- Victoria JG, Kapoor A, Li L, Blinkova O, Slikas B, Wang C, Naeem A, Zaidi S, & Delwart E (2009). Metagenomic analyses of viruses in stool samples from children with acute flaccid paralysis. *Journal of Virology*, 83(9), 4642–4651. 10.1128/jvi.02301-08 [PubMed: 19211756]
- Walker PJ, Siddell SG, Lefkowitz EJ, Mushegian AR, Adriaenssens EM, Alfenas-Zerbini P, Davison AJ, Dempsey DM, Dutilh BE, García ML, Harrach B, Harrison RL, Hendrickson RC, Junglen S, Knowles NJ, Krupovic M, Kuhn JH, Lambert AJ, Łobocka M, Nibert ML, Oksanen HM, Orton RJ, Robertson DL, Rubino L, Sabanadzovic S, Simmonds P, Smith DB, Suzuki N, Van Doorslaer K, Van Damme AM, & Zerbini FM (2021). Changes to virus taxonomy and to the International Code of Virus Classification and Nomenclature ratified by the International Committee on Taxonomy of Viruses (2021). *Archives of virology*, 166(9), 2633–2648. 10.1007/s00705-021-05156-1 [PubMed: 34231026]
- Ward LM, Ghaju Shrestha R, Tandukar S, Shcherchand JB, Haramoto E, Sherchan SP (2020). Evaluation of CrAssphage Marker for Tracking Fecal Contamination in River Water in Nepal. *Water Air Soil Pollut* 231, 282 (2020). 10.1007/s11270-020-04648-1
- Warsinger DM, Chakraborty S, Tow EW, Plumlee MH, Bellona C, Loutatidou S, Karimi L, Mikelonis AM, Achilli A, Ghassemi A, Padhye LP, Snyder SA, Curcio S, Vecitis CD, Arafat HA, & Lienhard JH (2018). A review of polymeric membranes and processes for potable water reuse, *Progress in Polymer Science*, 81, 209–237. 10.1016/j.propolymsci.2018.01.004.
- Whitman RL, & Nevers MB (2003). Foreshore Sand as a source of escherichia coli in nearshore water of a lake michigan beach. *Applied and Environmental Microbiology*, 69(9), 5555–5562. 10.1128/aem.69.9.5555-5562.2003 [PubMed: 12957945]

- WaterReuse Research Foundation (WRRF) (2015). Framework for Direct Potable Reuse, Project 14–20. Water Reuse Research Foundation, Alexandria, VA. <https://watereuse.org/wp-content/uploads/2015/09/14-20.pdf>
- Wu Z, Greaves J, Arp L, Stone D, & Bibby K (2020). Comparative fate of crassphage with culturable and molecular fecal pollution indicators during activated sludge wastewater treatment. *Environment International*, 136, 105452. 10.1016/j.envint.2019.105452 [PubMed: 31931347]
- Xue J, Caton K, Sherchan SP, (2018) Comparison of Next-Generation Droplet Digital PCR with Quantitative PCR for Enumeration of *Naegleria fowleri* in Environmental water and Clinical Samples, *Letters in Applied Microbiology*, 67(4):322–328. 10.1111/lam.13051 [PubMed: 30007064]
- Ye Y, Ellenberg RM, Graham KE, & Wigginton KR (2016). Survivability, partitioning, and recovery of enveloped viruses in untreated municipal wastewater.” *Environmental Science & Technology*, 50, 10, 5077–5085. 10.1021/acs.est.6b00876
- Zhang T, Breitbart M, Lee WH, Run J-Q, Wei CL, Soh SW, Hibberd ML, Liu ET, Rohwer F, & Ruan Y (2006). RNA viral community in human feces: Prevalence of plant pathogenic viruses. *PLoS Biology*, 4(1). 10.1371/journal.pbio.0040003
- Zhang CM, Xu LM, Xu PC, Wang XC (2016). Elimination of viruses from domestic wastewater: requirements and technologies. *World J Microbiol Biotechnol*, 32(4), 69. 10.1007/s11274-016-2018-3. [PubMed: 26931609]
- Zhao L, & Chai T (2005). Wastewater BOD forecasting model for optimal operation using robust time-delay neural network. *Advances in Neural Networks – ISNN 2005*, 1028–1033. 10.1007/11427469_163
- Zhu Y, Chen R, Li Y-Y, & Sano D (2021). Virus removal by membrane bioreactors: A review of mechanism investigation and modeling efforts. *Water Research*, 188, 116522. 10.1016/j.watres.2020.116522 [PubMed: 33091802]

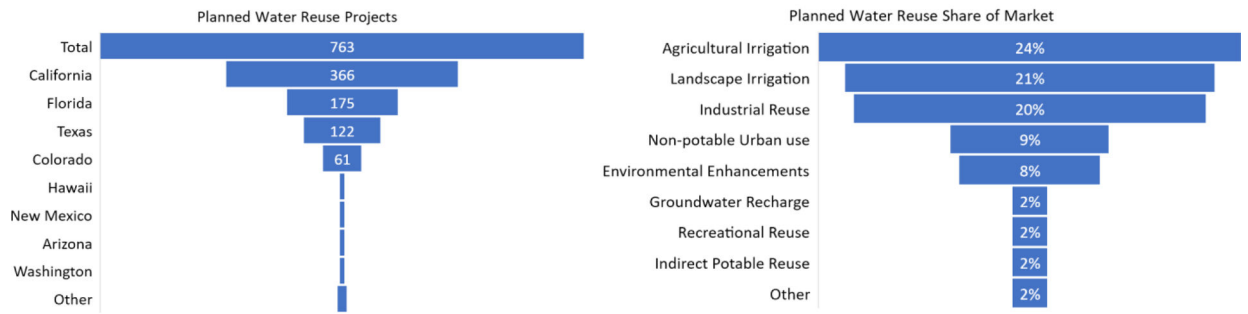


Figure 1. Planned water reuse projects by state and planned water reuse share of market based on data collected by Blue Field Research (Anonymous 2017).

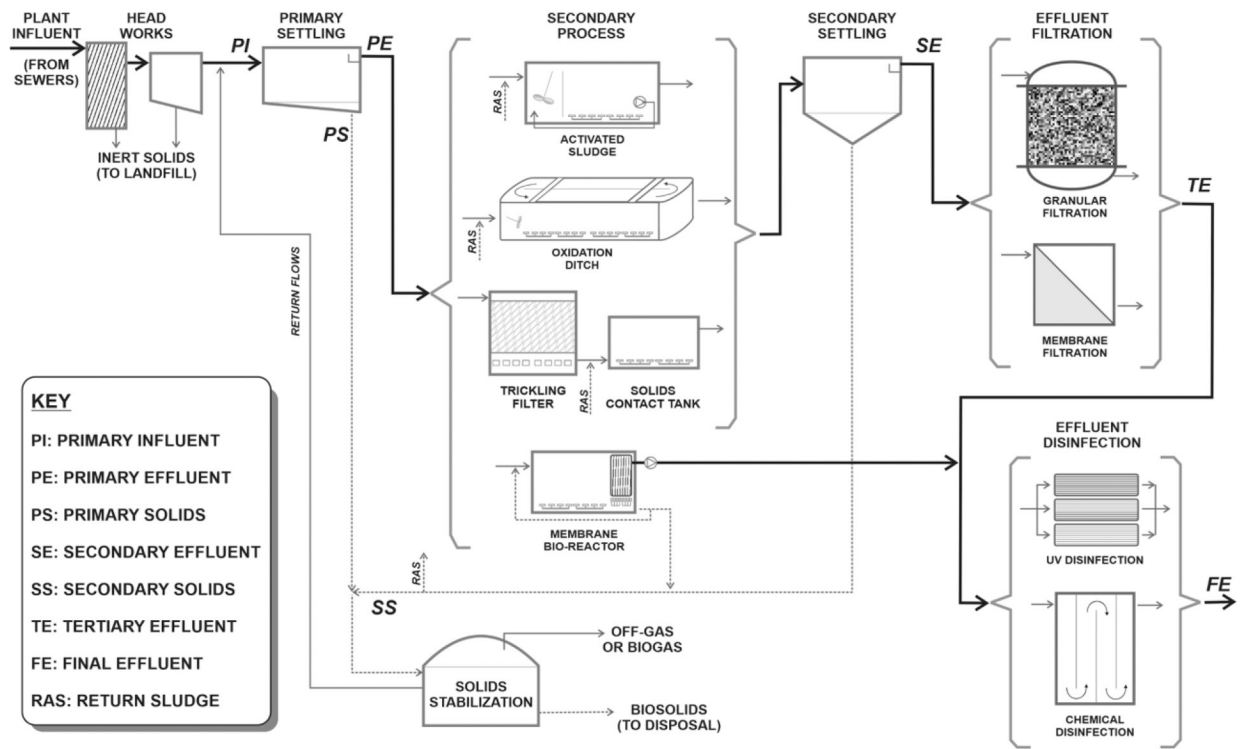


Figure 2: Treatment Flow Diagrams for Water Reclamation. Unit operations within parentheses perform similar treatment functions. Dashed lines are for sludge, while solid lines are for water flows. For suitable treatment trains choose one among the unit operations within parentheses.

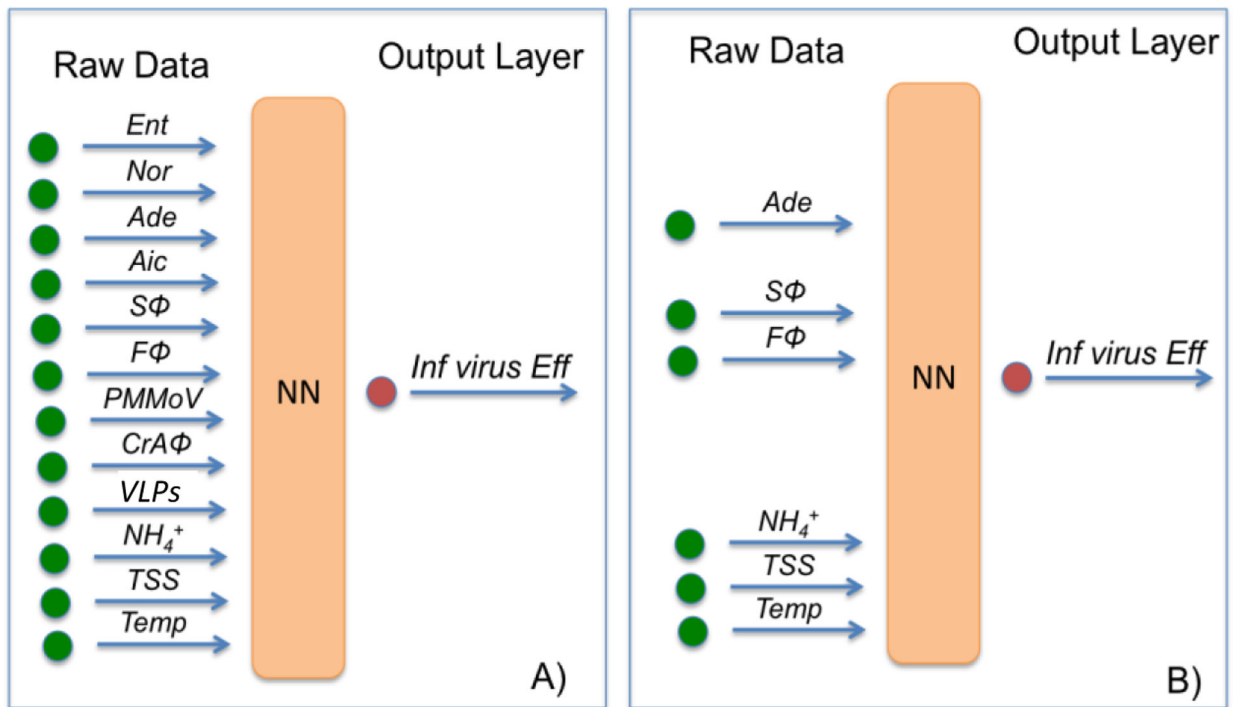


Figure 3. Illustration of ANN structure change based on sensitivity analysis of input variables.

Table 1.

Methods for concentrating and quantifying viruses in wastewater samples.

Viral Concentration Methods		
	Advantages	Disadvantages
Virus adsorption and elution	Fast (hours).	Viruses must be subject to capture and elution which may not be 100% efficient. Less inhibition depending upon eluate chemistry.
Electronegative filtration	Fast (hours). Inexpensive. Supplies easy to procure.	Viruses must be positively charged and captured, which may not be 100% efficient.
Size exclusion	Captures by size.	Cartridges subject to availability and can be expensive. May be subject to extensive plugging limiting volume processed. Requires a specialized centrifuge in some cases.
Coagulation/flocculation	Fast (hours). Inexpensive. Supplies easy to procure.	Viruses must be captured by process, which may not be 100% efficient.
Magnetic Bead Based Capture	Fast (hours). Process has been automated by commercial vendors.	Beads subject to availability and can be expensive. Less inhibition.
Viral Quantification Methods		
	Advantages	Disadvantages
Cell Culture	Measures potentially infectious viruses.	Slow to obtain results (weeks).
PCR	Fast (hours). Higher sensitivity and specificity Detects non-culturable viruses.	Does not measure infectious Viruses. Subject to inhibition.

Table 2. Potential human viral pathogens and surrogates to indicate human health risks during non-potable water reuse.

Candidates	Host	Genome Type	Morphology	Transmission Pathway to Human	Criteria for an ideal surrogate					
					Presence in the prevalence of enteric viruses	Similar survival rate to hardest enteric virus	Levels observed in raw sewage a,b,c	Ease of infect. assay	Fast and sensitive detection method	Globally distributed and temporally stable
Enterovirus	Human	RNA+	small-icosahedral	Fecal-oral	Yes	No	10^5 - 10^6	No	No	No
Norovirus	Human	RNA+	small-icosahedral	Fecal-oral	Yes	No	10^4 - 10^9	No	No	No
Adenovirus	Human	dsDNA	medium-icosahedral	Fecal-oral & aerosol	Yes	Yes	10^4 - 10^9	No	No	Yes
Aichi virus	Human	RNA+	small-icosahedral	Fecal-oral	Not well studied	Not well studied	Not well studied	No	No	Yes
Somatic coliphage	<i>E. coli</i>	dsDNA	vary	Not Applicable ^d	Yes	Yes		Yes	No	Yes
F-specific coliphage	<i>E. coli</i>	ssRNA or ssDNA	small-icosahedral or filamentous	Not Applicable ^d	Yes	Yes		Yes	No	Yes
CrAssphage	<i>Bacteroides intestinalis</i>	Circular dsDNA	icosahedral head with a short tail	Not Applicable ^d	Yes	Not well studied	10^7 - 10^9	No	No	Not well studied
PMMoV	Pepper	RNA+	rod	Not Applicable ^e	Yes	Yes	10^6 - 10^9	No	No	Yes
ToBRFV	Tomato	RNA+	rod	Not Applicable ^e	Not well studied	Not well studied	Not well studied	No	No	Not well studied
virus-like particles	Mostly bacteria	Vary	vary	Vary	Yes	Yes	Not well studied	No	Yes	Yes

^a Corpuz et al. 2020

^b Rusinol and Girones 2017

^c Betancourt and Shulman 2017

^d Found in the intestines of most humans

^e Dietary source