

Lawrence Berkeley National Laboratory

Recent Work

Title

POLLUTANT EMISSION RATES FROM INDOOR COMBUSTION APPLIANCES AND SIDESTREAM CIGARETTE SMOKE

Permalink

<https://escholarship.org/uc/item/4475c2kq>

Author

Girman, J.R.

Publication Date

1982-05-01



Lawrence Berkeley Laboratory

UNIVERSITY OF CALIFORNIA

ENERGY & ENVIRONMENT DIVISION

RECEIVED
LAWRENCE
BERKELEY LABORATORY

JUL 15 1982

LIBRARY AND
DOCUMENTS SECTION

To be published in Environment International

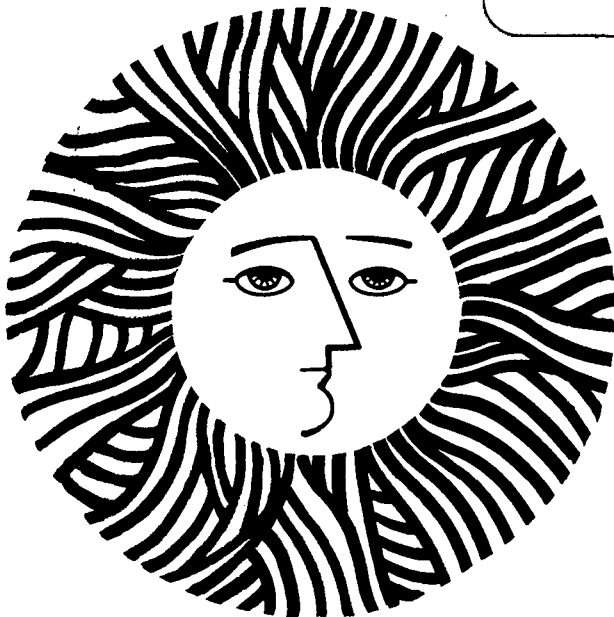
POLLUTANT EMISSION RATES FROM INDOOR COMBUSTION
APPLIANCES AND SIDESTREAM CIGARETTE SMOKE

J.R. Girman, M.G. Apte, G.W. Traynor,
J.R. Allen, and C. D. Hollowell

May 1982

TWO-WEEK LOAN COPY

*This is a Library Circulating Copy
which may be borrowed for two weeks.
For a personal retention copy, call
Tech. Info. Division, Ext. 6782.*



LBL-12562 Rev. c. 2

DISCLAIMER

This document was prepared as an account of work sponsored by the United States Government. While this document is believed to contain correct information, neither the United States Government nor any agency thereof, nor the Regents of the University of California, nor any of their employees, makes any warranty, express or implied, or assumes any legal responsibility for the accuracy, completeness, or usefulness of any information, apparatus, product, or process disclosed, or represents that its use would not infringe privately owned rights. Reference herein to any specific commercial product, process, or service by its trade name, trademark, manufacturer, or otherwise, does not necessarily constitute or imply its endorsement, recommendation, or favoring by the United States Government or any agency thereof, or the Regents of the University of California. The views and opinions of authors expressed herein do not necessarily state or reflect those of the United States Government or any agency thereof or the Regents of the University of California.

To be published in
Environment International

LBL-12562 Revised
EEB-Vent 81-27

POLLUTANT EMISSION RATES FROM INDOOR COMBUSTION
APPLIANCES AND SIDESTREAM CIGARETTE SMOKE

J.R. Girman, M.G. Apte, G.W. Traynor J.R. Allen, and C.D. Hollowell

Building Ventilation and Indoor Air Quality Program
Energy and Environment Division
Lawrence Berkeley Laboratory
University of California
Berkeley, California 94720

May 1982

This work was supported by the Director, Office of Energy Research, Office of Health and Environmental Research, Human Health and Assessments Division of the U.S. Department of Energy under Contract No. DE-AC03-76SF00098, and by the Directorate for Health Sciences, of the U.S. Consumer Products Safety Commission under Contract No. CPSC-IAC-81-1375.

This manuscript was printed from originals provided by the authors.

POLLUTANT EMISSION RATES FROM INDOOR COMBUSTION
APPLIANCES AND SIDESTREAM CIGARETTE SMOKE

J.R. Girman, M.G. Apte, G.W. Traynor and C.D. Hollowell

Building Ventilation and Indoor Air Quality Program
Energy and Environment Division
Lawrence Berkeley Laboratory
University of California
Berkeley, CA 94720

ABSTRACT

Particulate and gaseous emissions from indoor combustion appliances and smoking can elevate the indoor concentrations of various pollutants. Indoor pollutant concentrations resulting from operating one of several combustion appliances, or from sidestream tobacco smoke, were measured in a 27-m³ environmental chamber under varying ventilation rates. The combustion appliances investigated were gas-fired cooking stoves, unvented kerosene-fired space heaters, and unvented natural gas-fired space heaters. Results showed elevated levels of carbon dioxide, carbon monoxide, nitric oxide, nitrogen dioxide, formaldehyde, and suspended particles from one or more of the pollutant sources investigated. Our findings suggest that, of the sources examined in this study, nitrogen dioxide from combustion appliances and particles from sidestream cigarette smoke are the most serious contaminants of indoor air, if we use existing standards and guidelines as the criteria. An emission rate model was used to quantify the strengths of the pollutant sources, which are reported in terms of the mass of pollutant emitted per energy unit of fuel consumed (in the case of gas and kerosene appliances) and per mass of tobacco combusted (in the case of smoking).

INTRODUCTION

Indoor combustion appliances and tobacco smoking are primary sources of air pollution in many residences. Gas-fired stoves and unvented space heaters (both kerosene- and natural gas-fired types) emit such potentially harmful pollutants as carbon monoxide (CO), carbon dioxide (CO₂), nitric oxide (NO), nitrogen dioxide (NO₂), sulfur dioxide (SO₂), formaldehyde (HCHO), and respirable particulates; sidestream tobacco smoke contains CO, CO₂, NO, NO₂, respirable particulates and a wide range of organic compounds. The degree of indoor air pollution and, therefore, the degree of health risk to occupants from these sources depends on the type and amount of pollutants entering the occupied space, and the rate of removal by processes such as infiltration, mechanical ventilation, and chemical reactions.

Calculating emission rates of these combustion-generated pollutants is an essential step in assessing the degree to which these pollutant sources affect indoor air quality. In this paper, we report the pollutant emission rates derived from our studies of a gas-fired stove, gas-fired unvented space heater, kerosene-fired unvented space heater, and sidestream cigarette smoke.

EXPERIMENTAL

Experiments were carried out in an environmental chamber under controlled ventilation conditions; our Mobile Atmospheric Research Laboratory (MARL) was used to measure gas-phase pollutant concentrations.

Both the 27-m³ environmental chamber and the MARL are depicted schematically in Fig. 1. The chamber can be operated under conditions of natural infiltration, typically providing less than half an air change per hour (ach), or under mechanical ventilation, providing higher air exchange rates. Small, variable-speed fans centered on each chamber wall provide mixing of the air to insure uniform pollutant concentrations. When measuring pollutant emission rates from unvented natural gas-fired space heaters a "cold wall" composed of two solar panels helped to remove radiant heat.

The MARL is capable of measuring concentrations of oxygen (O₂), CO, CO₂, NO, and NO₂ from any of three locations within the chamber as well as from the background air surrounding the chamber. Particulate samplers were located inside the chamber. Dew points and temperatures, both inside and outside the chamber, were also recorded. Gas-phase pollutant concentrations were measured at one-minute intervals and recorded on magnetic tape; the results were analyzed with a model (Traynor et al., 1982a) to determine emission rates for the various pollutants.

RESULTS

Gas stoves are one of the most studied sources of indoor pollutants (Cote et al., 1974; Himmel and Dewerth, 1974; Traynor et al., 1982a); therefore, sufficient data are available for comparison of their pollutant emissions with those of sidestream cigarette smoke and other combustion appliances. Table 1 presents the pollutants, and their emission rates, from the operation of a gas-fired stove (Traynor et al.,

1982a).

Emission rates of pollutants from sidestream cigarette smoke and from a preliminary test of an unvented kerosene space heater are presented in Table 2. The kerosene space heater used in this experiment was a portable convective type that has become very popular recently. The emission rates reported for the kerosene heater in Table 2 are based upon the theoretical emission rate for CO_2 in a manner analogous to that used by Himmel and Dewerth (1974). The theoretical emission rate for CO_2 , 71,300 $\mu\text{g}/\text{kJ}$, is based upon the average molecular weight of 174 g/mole, the average carbon number of 12.25, and the heat content of 43,4 kJ/g for the kerosene used (Chevron Research Company, Richmond, CA). The manufacturer reports an output of 8700 kJ/h for this model whereas the consumption rate based upon the theoretical CO_2 emission rate and the observed CO_2 source strength is 6560 kJ/h.

The heater was operated in the chamber at various ventilation rates. Pollutant concentrations versus time for CO, CO_2 , NO, and NO_2 from this heater are shown in Fig. 2 for the ventilation rate of 1.9 ach. The chamber size and the ventilation rate of 1.9 ach may be fairly representative of actual usage conditions; i.e., the manufacturer's literature indicates its ability to heat a small room and suggests using some natural ventilation (i.e., from opening a door to adjoining rooms or opening a window). Significant observations from this chamber experiment are that under these conditions CO and particulate emissions are low, apparently forming the basis for claims that the new-generation kerosene heaters have no harmful emissions (Tutak, 1981). On the other

hand, CO₂ emissions are high, and concentrations reached 5000 mL/m³ (ppm), the occupational standard established by the U.S. Occupational Safety and Health Administration (U.S. OSHA, 1979), after 45 minutes of operation, well above the standard of 2500 mL/m³ (ppm) established by the American Society of Heating, Refrigeration and Air-Conditioning Engineers (ASHRAE, 1981). NO_x concentrations are also high, most notably the NO₂ concentration which was greater than 1 mL/m³ (ppm) over background after 45 minutes of operation. This concentration can be compared to the California short-term (peak one-hour average) outdoor standard of 0.25 mL/m³ (ppm) (California Administrative Code, Title 17) and the U.S. Environmental Protection Agency's long-term (annual average) outdoor standard of 0.05 mL/m³ (ppm) (U.S. EPA, 1979), although it did not exceed OSHA's workplace standard of 5.0 mL/m³ (ppm) (U.S. OSHA, 1979).

The particulate concentrations also shown in Table 2 were from the sidestream smoke of a single cigarette smoked by a volunteer situated inside the environmental chamber. The volunteer, a student, studied in the chamber and smoked at his usual rate. The cigarettes were a popular commercial brand. During this experiment, the ventilation of the chamber was maintained at a low rate. Particulates from the sidestream cigarette smoke were size-fractionated and weighed using a ten-stage piezoelectric cascade impactor. These results, shown in Fig. 3, indicate the very high levels (390 µg/m³ over background) of total particulate concentrations measured. In addition, 96 percent of this increase involved particulates under 0.4 ± 0.1 µm in diameter--a size range having a high proba-

bility of penetrating to the pulmonary region of the lung (Task Group on Lung Dynamics, 1966).

In a similar experiment using an automatic smoking machine, CO and particulate concentrations from the non-inhaled fraction of tobacco smoke from a single cigarette were measured. Particulate emissions were similar to those measured previously, and the CO concentration in the chamber peaked at 2.7 mL/m^3 (ppm) above the background.

Figure 4 illustrates typical pollutant concentration profiles for unvented gas-fired space heaters and Table 3 lists their emission rates based on a study currently in progress. These appliances are used principally in the southern and southwestern states. As indicated in Table 3, eight heaters have been tested, ranging in size from 12,700 to 42,200 kJ/h (12,000 to 40,000 Btu/h). O_2 consumption rates are included in this table since there is some concern about its depletion in environments where these heaters are used. The NO_x emission rates from these unvented gas-fired space heaters, which average $12 \text{ } \mu\text{g/kJ}$ of N, are higher than those of the gas-fired stove, but lower than that of the kerosene space heater. Of course, fuel consumption rates must also be considered when comparing different appliances. The HCHO emission rates from these unvented heaters averaged $0.81 \text{ } \mu\text{g/kJ}$, which is lower than that associated with gas-fired stoves. CO emissions were found to be much more variable than those of other pollutants. Five heaters had low CO emission rates (less than $30 \text{ } \mu\text{g/kJ}$), while the other three heaters had much higher rates. Even in the same heater, CO emission rates were highly variable during repetitive tests. CO_2 emission rates and O_2

consumption rates were relatively constant from heater to heater and test to test.

The variability of CO emissions prompted a series of tests on the sensitivity of emission rates to adjustments of the air shutter. All unvented gas-fired space heaters had previously been tuned with a portable CO analyzer and inspected visually for flame characteristics. With adjustment of the air shutter as the only variable, tests were run on heater 30A by combusting 5 ft³ of natural gas in 10 minutes under identical ventilation conditions (0.4 ach) and measuring peak CO, NO₂ and NO concentrations. The results of these tests are shown in Fig. 5. This plot is similar to an emission versus air/fuel ratio plot with the abscissa representing the percent opening of the air shutter. When the air-shutter opening is increased from 21% to 32%, the CO concentrations increase by a factor of nine. This increase of 21% to 32% in the air-shutter opening occurs with less than a 10° rotation of the shutter--a small adjustment that underscores the sensitivity of CO emissions to tuning.

Additional tuning tests were conducted on the 30A to investigate the effect of O₂ depletion on CO emissions. By varying the ventilation rate, steady-state O₂ levels of 20% or 18% could be achieved. At 20% O₂, the steady-state concentration of CO in the chamber could be varied from 4 to 90 mL/m³ (ppm) by changing the air shutter opening from 0 to 52% open. At 18% O₂, the steady-state concentrations of CO could be varied from 7 to 153 mL/m³ (ppm) by adjusting the air shutter opening over the same range. This test demonstrated that steady-state O₂ concentrations

alone are poor predictors of steady-state CO concentrations.

Conversely, NO_x emissions are not as sensitive to tuning. However, in the excess air regime (air shutter open more than 21%), the NO_2 -to- NO ratio appears to be extremely sensitive to tuning--increasing from 0.3 at a 21% opening to greater than 300 at a 42% opening. Thus, although NO_x emissions are not very sensitive to tuning, the fraction of NO_x in the form of NO_2 is very dependent upon the state of tune.

This heater, 30A, as previously tuned and tested was one of the highest CO-emitting heaters; after applying the results of its tuning curve, however, it was one of the four lowest CO-emitting heaters. Since it is unlikely that extensive tuning of this nature would be routinely performed in the field, all other unvented heaters used for this experiment were left as tuned previously (using a portable CO analyzer and observing flame characteristics).

Three of these heaters (20C, 30C, 40C), all from the same manufacturer, were the lowest CO emitters as well as being among the lowest emitters of HCHO and NO_x . Furthermore, emission rate tests showed that these heaters were relatively insensitive to tuning. This insensitivity is illustrated by the results in Table 4 which compares emission rates from the 30A and 40C heaters under two conditions, one with the air shutter fully opened and one with the shutter fully closed. The heaters from this manufacturer incorporate a very different burner design compared to those of the other two manufacturers. Instead of having many small circular ports in a flat, rectangular burner that produce many

small "flamelets," this type of burner has relatively few slots cut across a cylindrically-shaped burner which produce a softer "feathered" flame. It is likely that this burner design accounts for both the lower emission rates and their insensitivity to tuning.

DISCUSSION

While it is impossible to describe all conditions of use of unvented gas-fired space heaters and all environments where they are used, a simple example illustrates the indoor concentrations of pollutants that might result from their use. Let us assume that the heater is used in a 1400 ft² (130 m²) house with well-mixed interior air; all outdoor pollutant concentrations are zero; the air exchange rate for the house is 1 ach; and the unvented gas-fired space heater used is a well-tuned 20,000 Btu/h heater such that one fourth of the emitted NO_x is NO₂. The heater is operated at full input for a fairly long time (in accordance with manufacturer's recommendation that these particular models be operated only at full input and sized according to house volume and climatic zone). In all cases, the emission rate used is the arithmetic mean of the eight heaters for NO₂, 10 µg/kJ, and for CO₂, 51,200 µg/kJ. The geometric mean of the eight heaters is used for CO, 34 µg/kJ, and for HCHO, 0.81 µg/kJ. (CO₂ and NO₂ emission rates, as given in Table 3, appeared to follow a normal distribution while the CO emission rates are better characterized by a log-normal distribution, as also observed by Himmel and Dewerth, 1974. Because HCHO is also a product of incomplete combustion, its emission rate is assumed to have a log-normal distribu-

tion.) Unlike CO and CO₂, both NO₂ and HCHO are reactive gases and this reactivity would reduce the actual concentrations observed. In an extensively tested research house, NO₂ was observed to have a reactive decay constant of 1.3 h⁻¹ (Traynor et al., 1982b). The reactive decay constant of HCHO--0.4 h⁻¹--was measured in our environmental chamber (Traynor et al., 1982a). While it is unknown whether either of these values would apply to other environments, for the purpose of our example we will assume that they do.

With these assumptions and conditions we can proceed. After an hour of continuous operation, the HCHO concentration is 0.024 mL/m³ (ppm), the CO concentration rises above 1 mL/m³ (ppm), the NO₂ concentration is 0.139 mL/m³ (ppm) and the CO₂ concentration is 1200 mL/m³ (ppm). Even if the heater were operated continuously under these conditions, the steady-state HCHO concentration increases to only 0.032 mL/m³ (ppm), much less than even the most stringent indoor standard for HCHO, 0.100 mL/m³ (ppm) (ASHRAE, 1981). The steady-state CO concentration of 2 mL/m³ (ppm) is also much lower than EPA's outdoor long-term (eight hour) standard of 9 mL/m³ (ppm) (U.S. EPA, 1979). The steady-state NO₂ concentration from this well-tuned heater (recalling that NO₂ is only one-fourth of NO_x) is 0.154 mL/m³ (ppm), much higher than the EPA long-term (annual) outdoor standard for NO₂ of 0.05 mL/m³ (ppm), although it does not exceed the California short-term (one hour) outdoor standard of 0.25 mL/m³ (ppm). CO₂, at 1890 mL/m³ (ppm), approaches but does not exceed the ASHRAE standard of 2500 mL/m³ (ppm) (ASHRAE, 1981).

In the above example, note that the pollutant concentrations calculated are specific to the size of the heater, its state of tuning, the length of operation, the volume of the heated space, and the ventilation rate. It is apparent that the potential for CO and HCHO concentrations to reach problem levels in an indoor environment depends very much on the volume of the heated space and the ventilation rate, as well as the heater-specific factors listed above. This is not the case with NO₂; based on existing short- and long-term outdoor standards, NO₂ concentrations are likely to be high under most conditions of operation.

In Table 5, we present a list of specific heaters, both well tuned and poorly tuned, for which we calculated steady-state pollutant concentrations from the emission rates shown in Tables 3 and 4. (The assumptions of a 1400 ft³ house at 1 ach with well-mixed air and appropriate decay constants remained.)

For the well-tuned heaters the results are similar to the previous example, i.e., NO₂ concentrations are high and HCHO concentrations are lower than prescribed by existing standards. For two of these well-tuned heaters, CO concentrations approach the EPA 8-hour outdoor standard of 9 mL/m³ (ppm); CO₂ concentrations are high relative to the ASHRAE standard and, as expected, scale with heater input. O₂ levels do not fall below 20.2% (assuming an initial and outside O₂ concentration of 20.9%).

In the case of the poorly tuned heaters, NO₂ concentrations remained largely unchanged, that is, still high. The HCHO concentration is vari-

able; it can be quite high as is in the 30A with an open shutter, but need not be, as is shown by the other HCHO concentrations listed for those heaters. CO concentrations in these heaters are also highly variable and, as shown, can be quite high, approaching U.S. OSHA's 8-hour standard of 50 mL/m³ (ppm) (U.S. OSHA, 1979), and exceeding EPA's outdoor standards. (The emissions from the 40C heater, as stated previously, are remarkably insensitive to tuning.)

CONCLUSIONS

These data on pollutant emission rates obtained from combustion appliances and sidestream cigarette smoke in an environmental chamber, combined with data on source usage, provide important information for determining the impact of combustion-generated pollutants on indoor air quality under a wide variety of environmental conditions. Other necessary parameters for these determinations are the ventilation rate, reactive decay constants, indoor volume and outdoor pollutant concentration.

Our laboratory studies have shown that unvented combustion appliances and tobacco smoking, in particular, produce enough pollutants to be of concern, both in single-room environments and, based on calculations, in residential-sized buildings. While our findings suggest that both unvented heaters and sidestream cigarette smoke can pose a health risk in spaces where ventilation is reduced, in the case of unvented gas and kerosene space heaters, the NO₂ emissions are high enough to warrant concern even under relatively high ventilation conditions.

The burner design of one manufacturer of an unvented gas-fired space heater appears to reduce pollutant emissions significantly and is insensitive to tuning as well, indicating that improvements in burner design should be pursued. Of course, other techniques for reducing or alleviating the effect of pollutant emissions from these sources should also be developed.

Finally, if we are to determine the degree to which occupants are at risk from exposure to combustion-generated pollutants, we need information on (1) occupant usage patterns and (2) specific characteristics of the environments where these heaters are used. Such data are not presently available. A survey of this type should be supplemented by field studies to measure pollutant concentrations in a variety of indoor environments and over a wide range of usage patterns.

ACKNOWLEDGEMENT

This work was supported by the Director, Office of Energy Research, Office of Health and Environmental Research, Human Health and Assessments Division of the U.S. Department of Energy under Contract No. DE-AC03-76SF00098, and by the Directorate for Health Sciences, of the U.S. Consumer Products Safety Commission under Contract No. CPSC-IAC-81-1375. This paper represents the findings and views of the authors only and does not reflect the views of the U.S. Consumer Product Safety Commission.

REFERENCES

American Society of Heating, Refrigerating, and Air-conditioning Engineers (1981) "Ventilation for acceptable indoor air quality," ASHRAE 62-1981, Atlanta, GA.

Cote, W.A., Wade III, W.A., and Yocum, J. (1974) "A study of indoor air quality," EPA 650/4-74-042, U.S. Environmental Protection Agency, Washington, D.C.

Himmel, R.L. and Dewerth, D.W. (1974) "Evaluation of the pollutant emissions from gas-fired ranges," Report No. 1492, American Gas Association Laboratories, Cleveland, OH.

State of California, California Administrative Code, Title 17, Subchapter 1.5, Section 70100.

Task Group on Lung Dynamics (1966); "Deposition and retention models for internal dosimetry of the human respiratory tract," Health Physics, 12, 173-207.

Traynor, G.W. Anthon, D.W., and Hollowell, C.D. (1982a) "Technique for determining pollutant emissions from a gas-fired range," Atmospheric Environment (in press).

Traynor, G.W., Apte, M.G., Dillworth, J.F., Hollowell, C.D., and Sterling, E.M. (1982b) "The effect of ventilation on residential air pollution due to emissions from a gas-fired stove," Environment International (this issue).

Tutak, W.E. (1981) "The portable kerosene heater controversy, part II,"
Fire Journal, 75, 78-80.

U.S. Environmental Protection Agency (1979) National Primary and Secondary Ambient Air Quality Standards for Carbon Monoxide, 40CFR50.8.

U.S. Environmental Protection Agency (1979) National Primary and Secondary Ambient Air Quality Standards for Nitrogen Dioxide, 40CFR50.11.

U.S. Occupational Safety and Health Administration (1979) Occupational Safety and Health Standards, 29CFR1910.1000.

Table 1. Summary of pollutant emission rates from gas range.

Pollutant	Oven ^a				Top burners ^b			
	Mean ($\mu\text{g kJ}^{-1}$)	Standard Deviation ($\mu\text{g kJ}^{-1}$)	Range ($\mu\text{g kJ}^{-1}$)	# Runs	Mean ($\mu\text{g kJ}^{-1}$)	Standard Deviation ($\mu\text{g kJ}^{-1}$)	Range ($\mu\text{g kJ}^{-1}$)	# Runs
Cases								
CO	226	17	214-238	2	200	34	172-249	5
CO ₂	42,700	2,300	38,380-46,360	9	45,320	1,700	43,900-47,600	4
NO _x (as N)	6.17	0.67	4.98-7.03	6	9.0	1.3	6.9-10.5	6
NO ^c	6.61	-	-	-	9.7	-	-	-
NO ₂ ^c	10.14	-	-	-	14.8	-	-	-
SO ₂	0.11	0.02	0.08-0.13	5	0.16	0.02	0.14-0.18	5
HCHO	2.73	0.41	2.36-3.39	5	1.7	1.1	0.9-2.5	2
O ₂	-	-	-	-	78,200	7,300	73,000-83,300	2
Particles (<2.5 μm)								
Carbon	< 0.02	-	-	2	0.22	0.01	0.21-0.23	3
Sulfur (as SO ₄ ^m)	< 0.001	-	-	2	0.009	0.008	0.001-0.017	4
Mass ^d	< 0.05	-	-	2	0.41	0.19	0.24-0.62	3
Mass (<0.5 μm) ^e	0.015	0.001	0.014-0.015	2	0.50	0.36	0.21-1.03	4

^aOperated at 180°C (350°F) for 1 hour. Fuel consumption rate is 8400 kJ h⁻¹.

^bTwo burners operated for 16 minutes. Fuel consumption rate is 9200 kJ h⁻¹ per burner.

^cAssuming a volumetric NO₂-to-NO ratio of 1.0. Our measurements varied from 0.4 to 2.0.

^dBased on gravimetric analysis of filters.

^eBased on electrical mobility analysis and assuming a particle density of 2.0 g cm⁻³.

Reproduced from Traynor *et al.*, 1982a.

Table 2. Pollutant emission rates from an unvented kerosene space heater and from sidestream cigarette smoke.

Pollutant	Kerosene-Fired Unvented Space Heater ^a (µg/kJ)	Sidestream Cigarette Smoke ^b (µg/mg)
Gases		
CO	17	130 ^c
CO ₂	71,300 ^d	e
NO _x (as N)	19	f
NO ^g	22	f
NO ₂ ^g	33	f
Particles	e	18
Fuel Consumption	6560 kJ/h ^h	600 mg/cigarette

^aExpressed as micrograms of pollutant emitted per kilojoule of fuel consumed; these rates calculated using the theoretical CO₂ emission rate.

^bExpressed as micrograms of sidestream pollutant emitted per milligram of tobacco burned; 96% of mass $\leq 0.4 \pm 0.1 \mu\text{m}$.

^cDoes not include inhaled fraction.

^dTheoretical rate based upon an average molecular weight of 174, an average carbon number of 12.25, and a heat content of 43.4 kJ/g for kerosene.

^eObserved concentration was too close to background levels to calculate an emission rate.

^fPositive interference from other constituents of sidestream cigarette smoke.

^gBased upon observed NO₂-to-NO volumetric ratio of 0.36.

^hCalculated rate based upon observed CO₂ source strength and theoretical CO₂ emission rate; manufacturer's reported rate is 8700 kJ/h.

Table 3. Pollutant emission rates from well-tuned unvented gas-fired space heaters operated at full input.

Heater ^a	No. of Tests	ach	CO μg/kJ	CO ₂ μg/kJ	O ₂ μg/kJ	HCHO μg/kJ	N(NO _x) μg/kJ	NO ₂ /NO _x Volumetric Ratio	Particles ^b μg/kJ
12A	3	0.43	114	50,000	-67,400	4.20	10	0.59	0.30
20A	3	0.71	29	50,100	-71,700	0.61	14	0.28	0.039
30A ^c	1	0.59	25	49,900	-72,900	0.59	14	0.27	0.006
16B	1	0.53	165	51,500	-71,900	0.55	12	0.46	0.049
40B	2	0.39	63	51,000	-68,900	0.96	14	0.46	0.009
20C	2	0.38	14	50,100	-73,700	0.91	11	0.35	0.079
30C	1	0.56	11	52,600	-73,700	0.43	12	0.25	0.064
40C	2	0.74	13	54,600	-71,300	0.61	12	0.26	0.024

^aRated fuel consumption in thousands of Btu/h and manufacturers code, e.g., 40B = 40,000 Btu/h (42,200 kJ/h) heater from manufacturer B.

^bMass of particulates from 0.0056 to 0.562 μm based upon electric mobility analysis and assuming a particle density of 2.0 g/cm³.

^cThis heater was subjected to extensive tuning and can be considered to be optimally tuned.

Table 4. Comparison of pollutant emission rates of two poorly-tuned unvented gas-fired space heaters operated at full input.

Heater ^a	ach	CO μg/kJ	CO ₂ μg/kJ	O ₂ μg/kJ	HCHO μg/kJ	N(NO _x) μg/kJ	Volumetric NO ₂ /NO _x Ratio
<u>Fully open air shutter</u>							
30A	0.44	517	43,500	-57,900	20.2	3	1.00
40C	0.37	8	59,100	-66,200	0.49	12	0.24
<u>Fully closed air shutter</u>							
30A	0.41	159	52,500	-70,800	1.35	11	0.39
40C	0.40	35	49,000	-67,200	0.29	10	0.36

^aRated fuel consumption in thousands of Btu/h and manufacturers code, e.g., 40B = 40,000 Btu/h (42,200 kJ/h) heater from manufacturer B.

Table 5. Calculated steady-state pollutant concentrations from specific unvented gas-fired space heaters operating continuously in a 1400 ft² (130 m²) house (1.0 ach) with well mixed air.

Heater ^a	CO ^b		CO ₂ ^b		O ₂	HCHO ^{b,c}		NO ₂ ^{b,d}	
	mg/m ³	(ppm)	g/m ³	(ppm)	%	µg/m ³	(ppm)	µg/m ³	(ppm)
well tuned									
12A	4.6	(4.0)	2.0	(1,100)	20.7	118	(0.098)	340	(0.18)
16B	8.8	(7.7)	2.7	(1,500)	20.6	21	(0.017)	420	(0.22)
20C	0.9	(0.8)	3.3	(1,900)	20.5	42	(0.035)	360	(0.19)
40B	8.4	(7.3)	6.8	(3,800)	20.2	90	(0.075)	1,200	(0.65)
40C	1.7	(1.5)	7.3	(4,000)	20.2	57	(0.047)	610	(0.32)
poorly tuned									
30A ^e	52	(45)	4.4	(2,400)	20.5	1,400	(1.20)	430	(0.23)
40C ^e	1.1	(0.9)	7.9	(4,400)	20.5	46	(0.038)	520	(0.28)
30A ^f	16	(14)	5.3	(2,900)	20.4	78	(0.065)	610	(0.32)
40C ^f	4.6	(4.1)	6.5	(3,600)	20.2	43	(0.036)	700	(0.37)

^aRated fuel consumption in thousands of Btu/h and manufacturers code, e.g., 40B = 40,000 Btu/h (42,200 kJ/h) heater from manufacturer B.

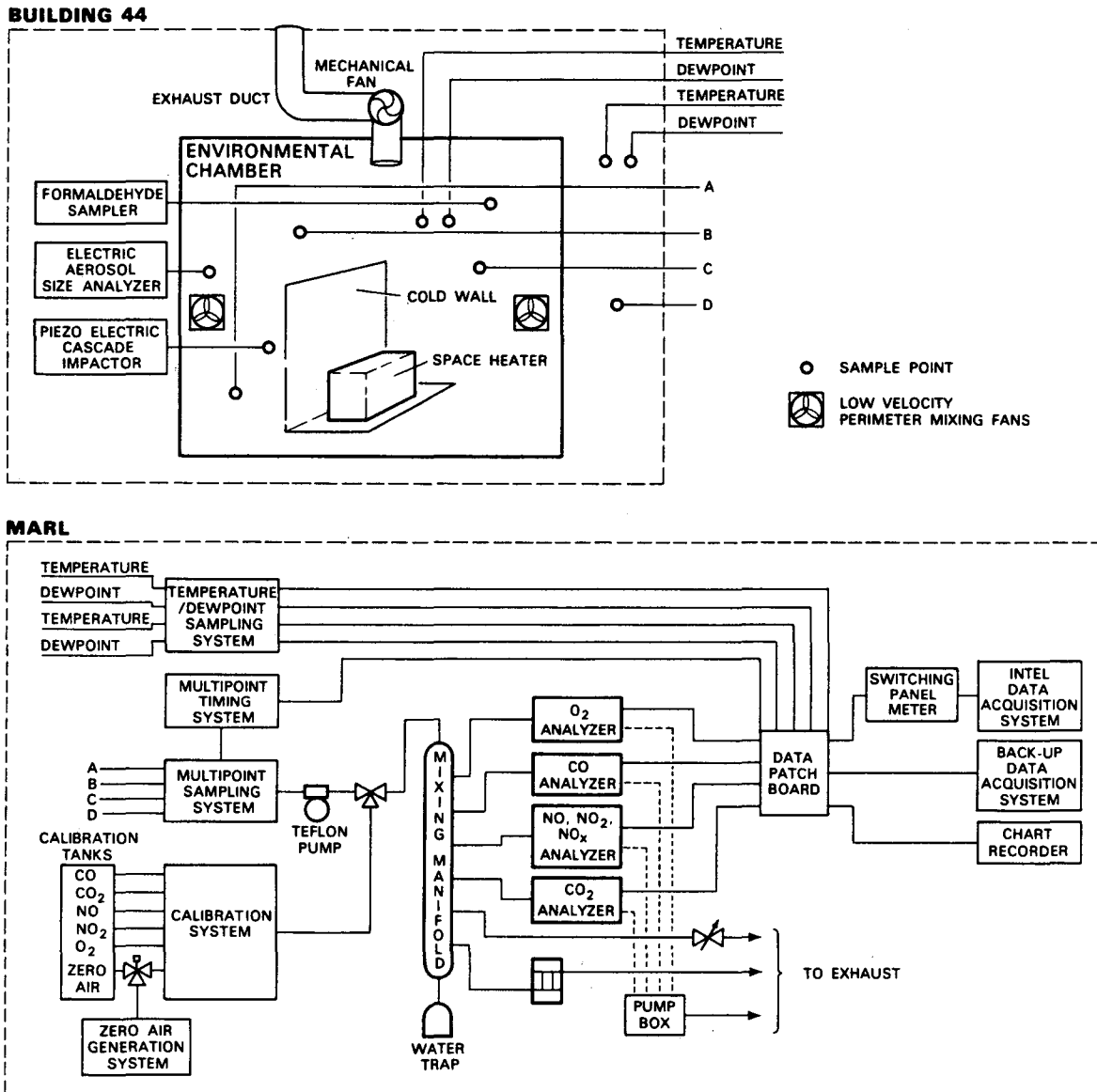
^bBackground concentrations assumed to be zero.

^cA reactive decay constant of 0.4 h⁻¹ was assumed.

^dA reactive decay constant of 1.3 h⁻¹ was assumed.

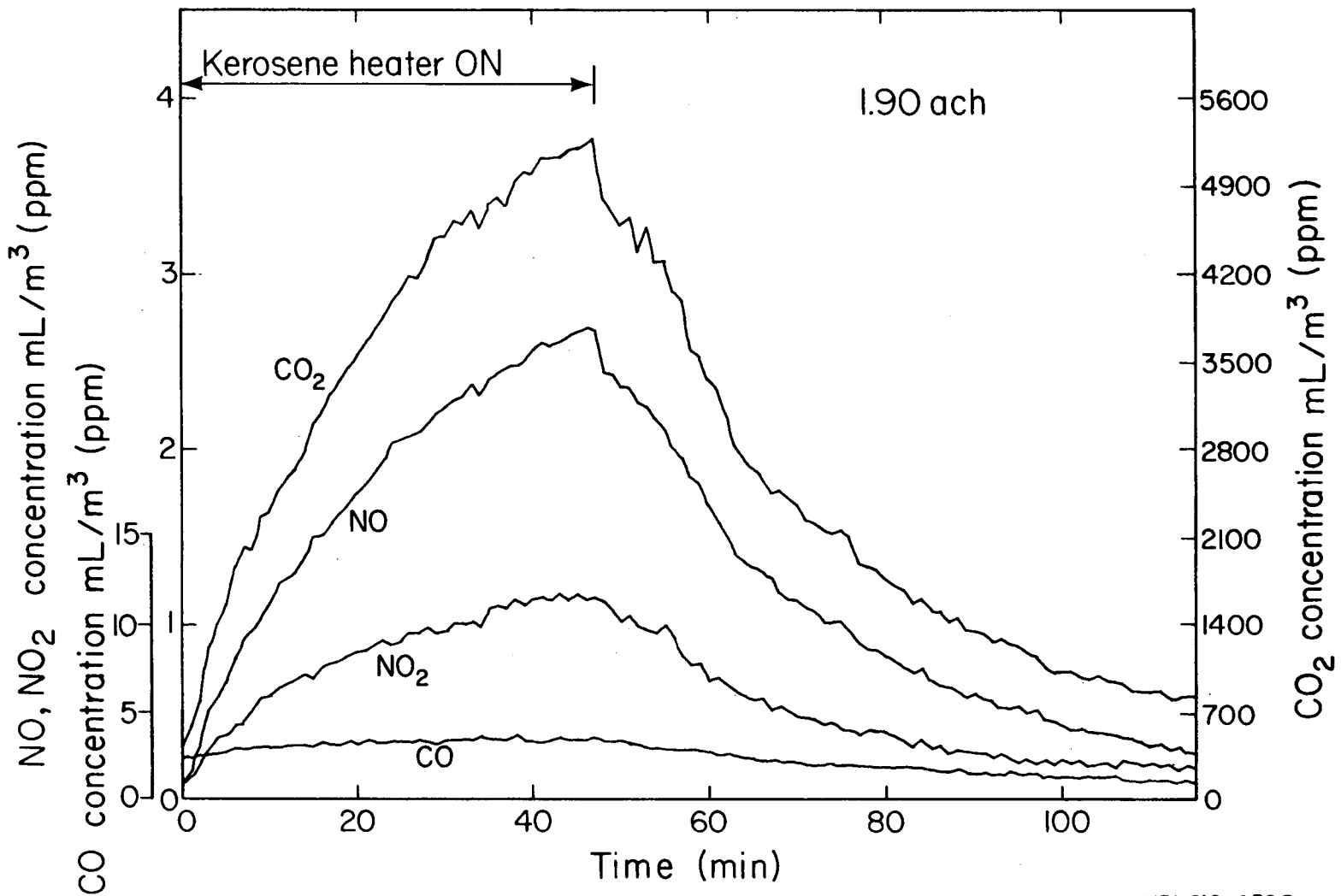
^eFully open shutter.

^fFully closed shutter.



XBL 8110-1378A

Figure 1. Schematic diagram of Lawrence Berkeley Laboratory's Environmental Chamber and Mobile Atmospheric Research Laboratory (MARL).



XBL 816-952 B

Figure 2. CO, CO₂, NO, and NO₂ concentrations produced by a portable, convective, unvented kerosene-fired space heater operated for 46 minutes in a 27-m³ environmental chamber with mechanical ventilation (1.90 ach). Particulate concentrations were negligible and are not shown.

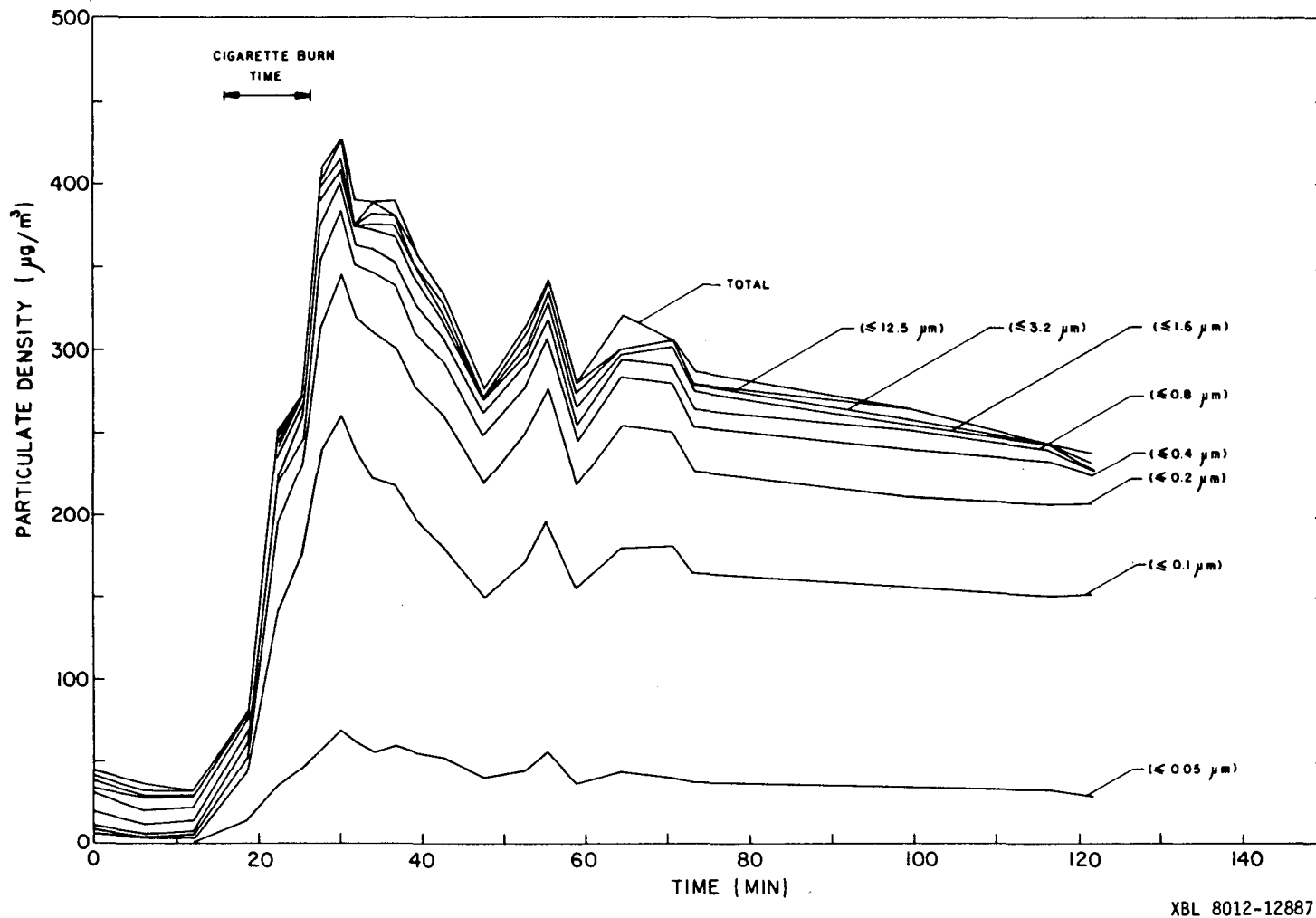
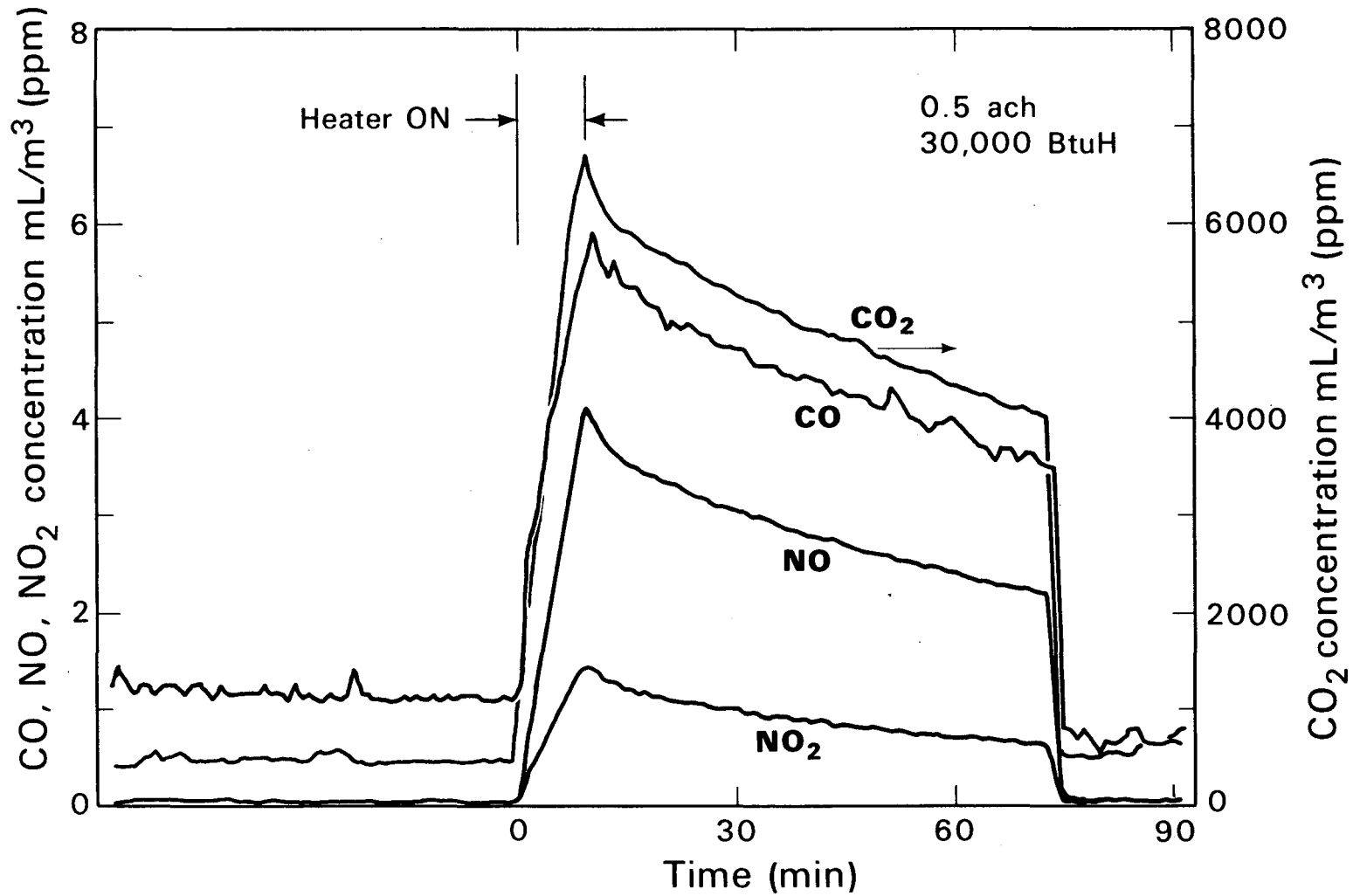
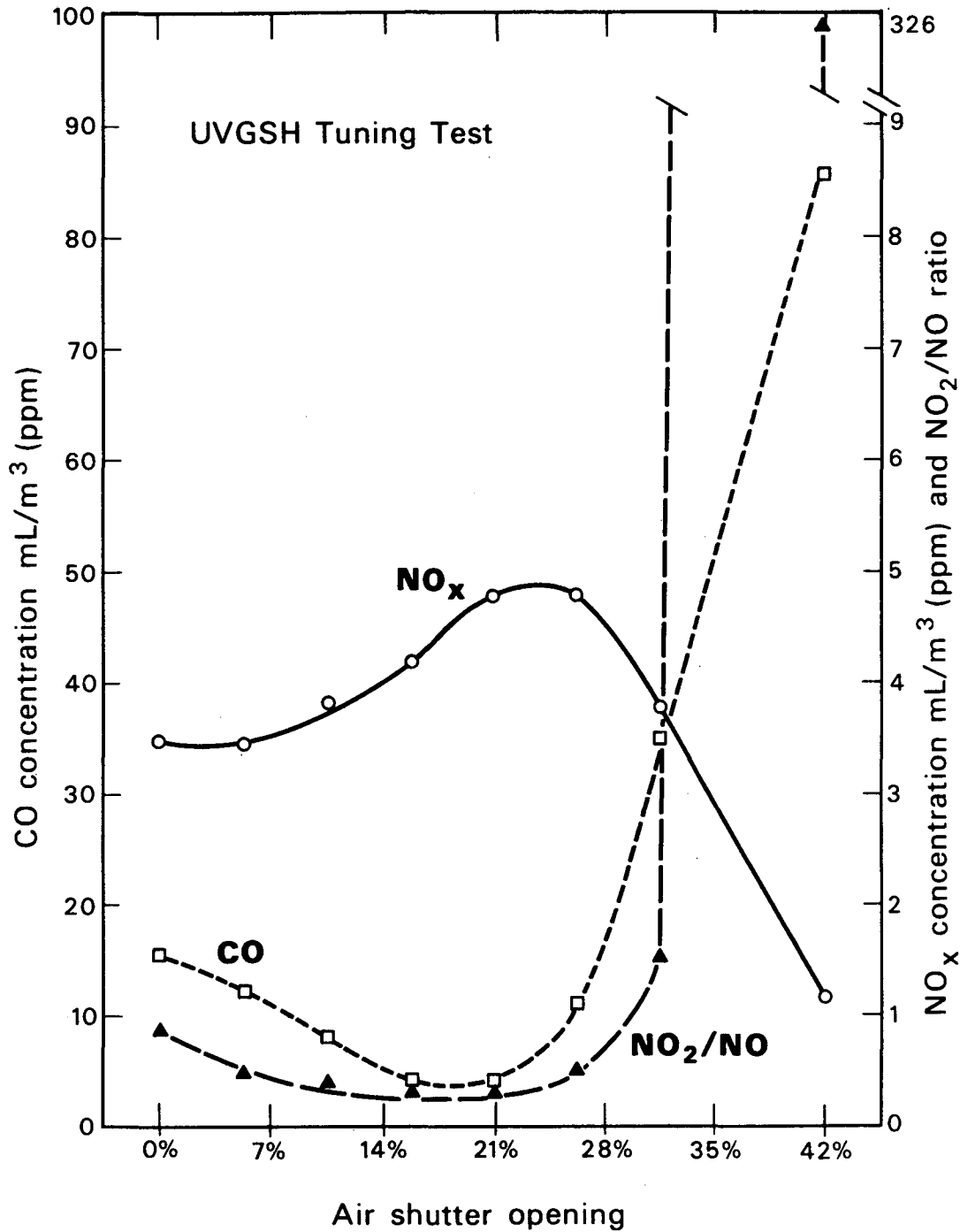


Figure 3. Size-segregated particulate concentrations produced by sidestream cigarette smoke from a single cigarette smoked by a volunteer in a 27-m^3 environmental chamber without mechanical ventilation (0.3 ach).



XBL 8110-1377 B

Figure 4. CO, CO₂, NO, and NO₂ concentrations produced by a 31,700 kJ/h (30,000 Btu/h) unvented gas-fired space heater operated in a 27-m³ environmental chamber without mechanical ventilation (0.5 ach).



XBL 8110-1376 B

Figure 5. Peak NO_x and CO concentrations and the volumetric NO_2 -to- NO ratio versus air shutter opening for a 31,700 kJ/h (30,000 Btu/h) unvented gas-fired space heater after combusting 5 ft³ of natural gas in a 27-m³ environmental chamber ventilated at less than 0.5 ach.

This report was done with support from the Department of Energy. Any conclusions or opinions expressed in this report represent solely those of the author(s) and not necessarily those of The Regents of the University of California, the Lawrence Berkeley Laboratory or the Department of Energy.

Reference to a company or product name does not imply approval or recommendation of the product by the University of California or the U.S. Department of Energy to the exclusion of others that may be suitable.

TECHNICAL INFORMATION DEPARTMENT
LAWRENCE BERKELEY LABORATORY
UNIVERSITY OF CALIFORNIA
BERKELEY, CALIFORNIA 94720