

# Lawrence Berkeley National Laboratory

## LBL Publications

### Title

The Standing Wave FEL/TBA: Realistic Cavity Geometry and Energy Extraction

### Permalink

<https://escholarship.org/uc/item/3fz9g002>

### Authors

Kim, J.-S.

Henke, H

Sessler, A M

et al.

### Publication Date

1993-05-01

### Copyright Information

This work is made available under the terms of a Creative Commons Attribution License, available at <https://creativecommons.org/licenses/by/4.0/>



# Lawrence Berkeley Laboratory

UNIVERSITY OF CALIFORNIA

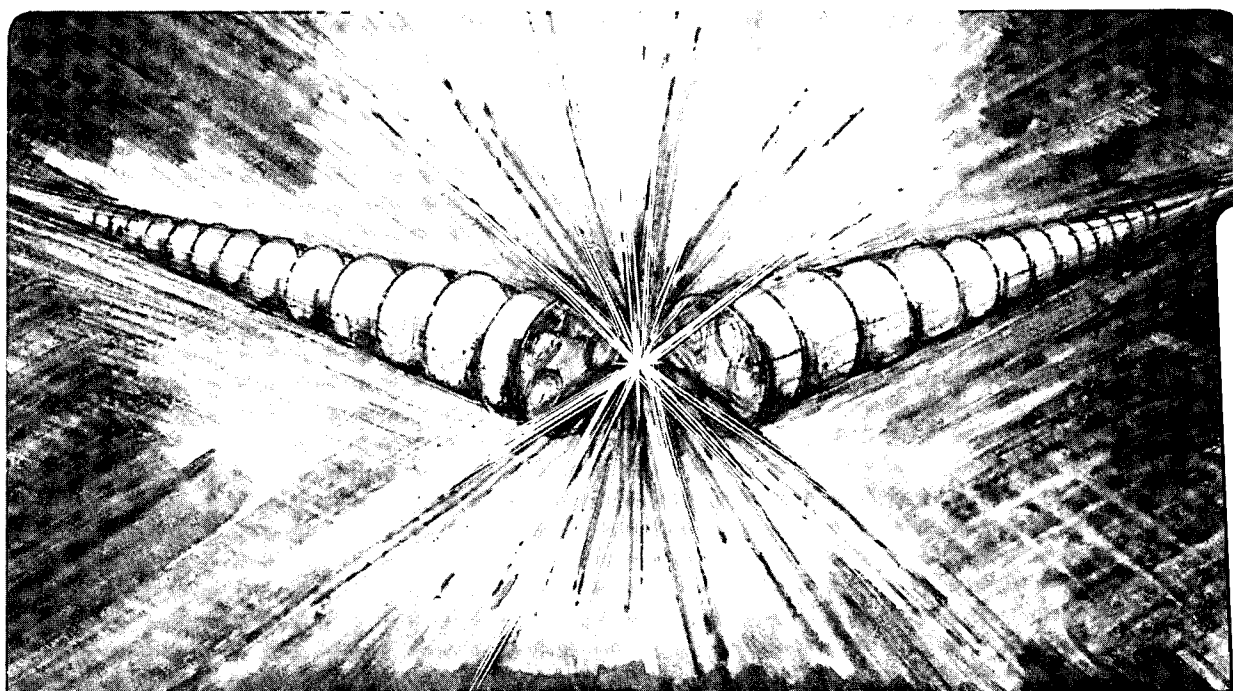
## Accelerator & Fusion Research Division

Presented at the 1993 Particle Accelerator Conference,  
Washington, DC, May 17-20, 1993, and to be published  
in the Proceedings

### **The Standing Wave FEL/TBA: Realistic Cavity Geometry and Energy Extraction**

J.-S. Kim, H. Henke, A.M. Sessler, and W.M. Sharp

May 1993



REFERENCE COPY  
Does Not  
Circulate

Bldg. 50 Library.

LBL-33257

Copy 1

## **DISCLAIMER**

This document was prepared as an account of work sponsored by the United States Government. While this document is believed to contain correct information, neither the United States Government nor any agency thereof, nor the Regents of the University of California, nor any of their employees, makes any warranty, express or implied, or assumes any legal responsibility for the accuracy, completeness, or usefulness of any information, apparatus, product, or process disclosed, or represents that its use would not infringe privately owned rights. Reference herein to any specific commercial product, process, or service by its trade name, trademark, manufacturer, or otherwise, does not necessarily constitute or imply its endorsement, recommendation, or favoring by the United States Government or any agency thereof, or the Regents of the University of California. The views and opinions of authors expressed herein do not necessarily state or reflect those of the United States Government or any agency thereof or the Regents of the University of California.

LBL-33257  
CBP-225  
UC-414

**The Standing Wave FEL/TBA: Realistic Cavity  
Geometry and Energy Extraction\***

**Jin-Soo Kim, Heino Henke, Andrew M. Sessler and William M. Sharp**

*Lawrence Berkeley Laboratory, University of California, Berkeley, California 94720*

May 1993

\* Work supported by the Director, Office of Energy Research, Office of High Energy and Nuclear Physics, Division of High Energy Physics, of the U.S. Department of Energy under Contract No. DE-AC03-76SF00098

# The Standing Wave FEL/TBA: Realistic Cavity Geometry and Energy Extraction\*

Jin-Soo Kim, Heino Henke<sup>(a)</sup>, Andrew M. Sessler, and William M. Sharp<sup>(b)</sup>  
 Lawrence Berkeley Laboratory  
 University of California, Berkeley, California 94720

## Abstract

A set of parameters for standing wave free electron laser two beam accelerators (SWFEL/TBA) is evaluated for realistic cavity geometry taking into account beam-break-up and the sensitivity of output power to imperfections. Also given is a power extraction system using cavity coupled wave guides.

## I. INTRODUCTION

For the next generation linear colliders, a high gradient acceleration structure is necessary. As a possible source of energy for such colliders, a SWFEL/TBA has been proposed[1,2]. A schematic diagram of a FEL/TBA is shown in Figure 1.

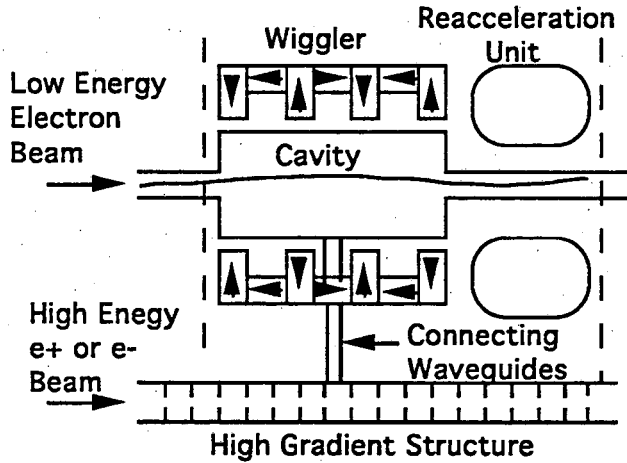


Figure 1. Schematic diagram of SWFEL/TBA

There have been some parameter studies of SWFEL/TBA parameters. Preliminary optimizations were made for the constancy of output energy and phase with respect to de-tuned energy for short pulse bunches[3]. The sensitivity has been reduced further by utilizing drift tubes between the cavities[4].

In this paper, we optimize the parameters with

\* The work was supported by the Director, Office of Energy Research, Office of High Energy and Nuclear Physics, Division of High Energy Physics, of the U. S. Department of Energy under Contract No. DE-AC03-76SF00098.

(a) Permanent address: Technische Universität Berlin, Institute für Theoretische Elektrotechnik, Einsteinufer 17, D-1000 Berlin 10, Germany.

(b) Permanent address: Lawrence Livermore National Laboratory, University of California, Livermore, California 94550, USA.

longer pulses (for better efficiency), with longer cavities (for BBU considerations[5]) than previously considered, and with realistic engineering constraints. Induction linacs have leakage current the order of 100 A and need much higher current than this level to be efficient. Switching time for such a high current takes about 10 nsec and thus beam pulse lengths significantly longer than this are needed for a good efficiency. An output energy of about 10 J/m is desired. Reacceleration can also not be too large, since about 30 cm long ferrite material is needed for 0.25 MeV reacceleration. With these constraints transverse and longitudinal beam dynamics are considered and lead to a set of parameters for SWFEL/TBA.

## II. BASIC MODEL

Within a cavity the particles and fields of a SWFEL can be examined by the conventional wiggler-averaged FEL equations[6]. Using the subscripts  $s$  for signal waves and  $w$  for wiggler quantities, and representing the vector potential by the usual normalized quantity  $a=A/(mc^2/e)$ , the equations for particle phase,  $\vartheta_j$ , the  $j$ -th particle energy,  $\gamma_j$ , and the field amplitude,  $a_s$ , with phase,  $\phi$ , are given by the following.

$$\frac{d\vartheta_j}{dz} = k_s + k_w - \frac{\omega_s}{c} - \frac{\omega_s}{2c\gamma_j^2} \left[ 1 + \frac{a_w^2}{2} - 2D_x a_w a_s \cos(\vartheta_j + \phi) \right],$$

$$\frac{d\gamma_j}{dz} = -D_x \frac{\omega_s}{c} \frac{a_w}{\gamma_j} a_s \sin(\vartheta_j + \phi), \quad (1)$$

$$\frac{d(a_s e^{i\phi})}{ds} = ic \left( \frac{2\gamma_r^2}{a_w} \right) \left( \frac{R}{Q} \right) \left( \frac{I}{I_a} \right) \left\langle \frac{e^{-i\vartheta_j}}{\gamma_j} \right\rangle$$

Here,  $\gamma_r$  is the resonant beam energy,  $I$  is the average beam current,  $z$  is the axial coordinate,  $s$  is the distance from the leading bunch, and the jitter term  $D_x=1/2$ . The angle brackets are averages over particles of a bunch. The brackets are redundant since in our analysis we make the approximation that only one macro particle per bunch. The shunt impedance is then given by

$$\frac{R}{Q} = \frac{4\pi}{VL\omega} \left| \int_{-L/2}^{+L/2} dz \frac{\bar{v}(z)}{v_z} \cdot \bar{a}(z) \exp\left(-\frac{i\omega z}{v_z}\right) \right|^2, \quad (2)$$

where  $\bar{v}$  is the particle velocity,  $v_z$  is the  $z$  component of the velocity,  $\omega$  is the FEL mode angular frequency,  $V$  is the volume of the cavity, and  $L$  is the length of the cavity.

Once a particle leaves a cavity, the FEL field bounces back to the other end of the cavity as a standing wave. Thus, the field should be updated accordingly.

The bunches in a pulse are then considered as blocks of  $2N$ . Since the particles do not interact much with the reflected waves, the first  $2N$  bunches behave identically where  $N=L/c$ . The next  $2N$  bunches see the reflected field of the previous  $2N$  bunches. Thus we need to examine only one bunch per every  $2N$  bunches. Utilizing the drift tubes between cavities, and by adjusting the beam energy for each  $2N$  particles, it is possible to make each  $2N$  particles behave identically through each cavity, thus yielding a stable high power energy for a long device as described in Reference [4].

The output energy is then proportional to the square of  $R/Q$  and the total charge of the pulse  $IL_p$ .

$$W_{out} \propto (IL_p)^2 \left(\frac{R}{Q}\right)^2. \quad (3)$$

The proportionality constant not shown in the above equation, depends on the geometry of the cavity.

### III. GEOMETRY EFFECT

The geometry of cavities and irises affect the field equation, the third equation of Eq.(1), through  $R/Q$ . Although the quantity  $R/Q$  depends on the beam energy and wiggler fields, the geometry dependence affects the FEL performance through this quantity only. Thus, we can evaluate FEL performance for various geometry by simply evaluating this quantity and using the usual FEL equations.

Now it is easy to understand the geometry effect since the geometry term affects only the field equation, and at the same time the averaged beam current affects only the field equation. Therefore, the geometry effect can be easily compensated by adjusting current, keeping  $IR/Q$  constant. Thus sensitivity of output power to various errors is as in an ideal cavity. The output energy may be different. This, however, is not a problem since it is necessary to have constant output energy but the magnitude of the energy is not so important.

### IV. NUMERICAL RESULTS

Eq.(1) is advanced by the fourth order Runge-Katta method. Assuming no slippage between particles and fields, the field equations are evolved in  $z$  (replacing  $s$  by  $z$ ). The initial field phase was set to zero and the initial particle phase is given as  $\pi/3$ .

A typical evolution of FEL variables, in the absence of errors, are illustrated in Figure 2. In the absence of any errors, the dynamics of each  $2N$  block is the same for the cavities. Thus only the first 3 cavities are shown. The particle lose energy (a) as it traverses a cavity while the field amplitude increases (b). The lost energy of the particle is replenished before entering the next cavity, thus repeating the same motion again. In (c) particle phase, field phase, and the ponderomotive phase are shown.

For stable FEL performance, it is important to keep the ponderomotive phase  $\psi = \theta_j + \phi$  invariant. In principle we do not have to consider phase change of  $\theta$  and  $\phi$  independently. However, best results are obtained by minimizing the variation of the particle phase within a cavity,

by making the nonsinusoidal component of the particle phase equation in Eq.(1) small. For 17.1 GHz,  $k_w=0.16$  is good.

A set of parameters is summarized in Table 1, taking into account BBU, beam sensitivity and engineering

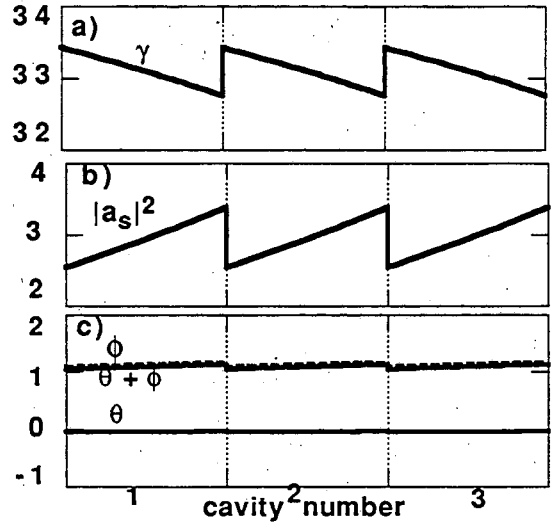


Figure 2. Particle energy (a), field energy (b), particle phase, field phase, and the ponderomotive phase (c) of  $j$ -th particle for the first three cavities. Drift tube regions are not shown, and simply indicated as a vertical dotted line.

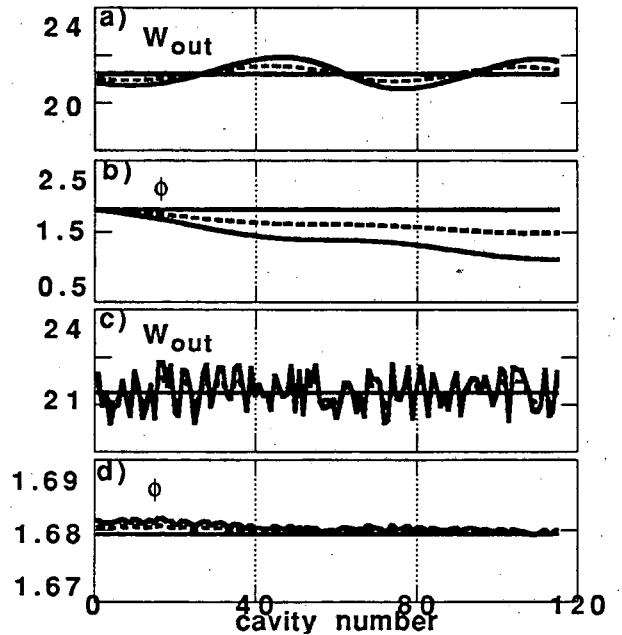


Figure 3. Output energy (a) and field phase (b) versus device length for 0% (straight line), 0.5% (dotted curve), and 1% (solid curve) de-tune in beam energy for the parameters in Table 1. The same quantities are shown in (c) and (d) for 0% (straight line), 2% (dotted curve), and 4% (solid curve) for random cavity errors in  $R/Q$ .

constraints. For the parameters shown in Table 1, sensitivity of output energy and field phase to energy de-tune and local field errors are shown in Figure 3. It shows 6% fluctuation in output energy (a) and 0.7 radian phase fluctuation (b) with 1% energy de-tune. With 0.5% energy de-tune, the fluctuations are half of those 1% de-tune case. Similar results are obtained with half the cavity length but twice as many cavities. Imperfection in cavities are introduced as field errors in each cavity. When the input power was increased to 80 kW/m, the output energy fluctuation remained the same and the phase fluctuation was reduced to half. With 4% random variations of the field errors we obtained 4% energy fluctuation (c) and 0.0025 radian phase fluctuations (d). The reason for the small phase fluctuations is that the particle phase was adjusted with local field errors. With 2% field errors, the fluctuations are reduced by half.

Table 1. Parameters of a SWFEL for 17.1 GHz

wiggler	parameter $a_w = 1.41$ B field = 0.9 kG wiggler period $\lambda_w = 39$ cm; ( $k_w = 0.1598$ ) device length = 100 m
cavity length	86 cm
beam	energy $\gamma = 33.1$ average current $I = 1$ kA pulse length = 100 ns
input power	8 kW/m
output energy	21.2 J/m

## V. RF POWER EXTRACTION

The RF energy is extracted from both sides of the rectangular cavity, to rectangular wave guides coupled by circular holes. Assuming that the operating mode of the SWFEL is TE<sub>01p</sub>, then the wave guide modes are excited by TE<sub>10p</sub> mode, and propagate to both ends. Let  $a$  be the width,  $b$  is the height,  $L$  is the length of the cavity, then  $b$  is the width of the guide. (The height of the cavity shares the width of the wave guides.)

$$\begin{aligned}\bar{E}_{01p} &= E_0 \sin\left(\frac{\pi y}{b}\right) \sin\left(\frac{p\pi z}{L}\right) \hat{x}; \text{ in cavity,} \\ \bar{E}_{10p}^\pm &= D_0 \sin\left(\frac{\pi y}{b}\right) e^{\pm i k_z z} \hat{x}; \text{ in waveguides,}\end{aligned}\quad (4)$$

where  $E_0$  and  $D_0$  are amplitude of the modes and  $k_z = p\pi/L$ . The holes are located at the maximum magnitude of the operating mode. If the coupling hole radius  $r$  is small compared to the  $z$ -wavelength of the cavity mode, each hole behaves like an electric dipole source to the wave guide. Then following Reference 7, we can estimate the output power per port as follows.

$$P_{out}^\pm = \frac{1}{2} \left| -\frac{i\omega}{2} \bar{E}_{10p}^\pm \cdot n\bar{P} \right|^2; \quad \bar{P} = -\frac{2}{3} \epsilon_0 r^3 E_0 e^{-\alpha t} \hat{x}. \quad (5)$$

The exponent  $\alpha$  is the attenuation of the dipole due to the thickness  $t$  of the cavity / wave-guide wall, given by  $\alpha = ((J_{01}/r)^2 - k^2)^{1/2}$ , with  $k$  being the wave-number of the operating FEL mode in free space. It is assumed that all the  $n$ -holes are in phase.

Noting that the amplitude of the wave guide mode  $D_0 = \sqrt{Z_1} \sqrt{2/bc}$  with  $Z_1 = k_z / (\omega \epsilon_0)$  we can determine the radius of holes to extract the energy in the cavity within  $\tau = 100$  nsec. Since the energy in a cavity is  $U = \epsilon_0 (abL/8) E_0^2$ , and  $P_{out} = U/4\tau$  where the factor 4 in the denominator came from 4 ports, we obtain

$$P_{out}^\pm = \frac{n^2 k^2 r^6}{9bc Z_0} \left( 1 - \left( \frac{\pi}{kb} \right)^2 \right)^{1/2} e^{-2\alpha t} E_0^2 = \frac{\epsilon_0 abL}{32\tau} E_0^2. \quad (6)$$

The above equation gives a relation between geometry of the cavity and the extraction time. Note that the output power is proportional to  $r^6$ , apart from an  $r$  dependence in  $\alpha$ .

For 17.1 GHz,  $a=10$  m,  $b=3$  cm,  $c=1.5$  cm,  $t=0.5$  cm, with  $n=60$  we find that the radius of the hole to be 0.47 cm. For 11.4 GHz, if we keep all other parameters fixed, the radius is 0.37 cm.

## VI. CONCLUSION

We propose a set of parameters for a SWFEL/TBA in Table 1. The parameters are chosen taking into account engineering constraints, transverse beam displacements, and beam sensitivity. Also presented is a calculation which shows that the cavity energy can be extracted adequately through cavity coupled wave guides.

## VI. REFERENCES

- [1] A.M.Sessler, in *Laser Acceleration of Particles*, edited by P.J.Channell (AIP, New York, 1982), p.154.
- [2] A.M.Sessler, D.H.Whittum, J.S.Wurtele, W.M.Sharp, and M.A.Makowski "Standing -wave free-electron laser two-beam accelerator, Nucl. Inst. Method in Phys. Res. A306, 592 (1991). Eq.(32) should be corrected by a factor of 1/16.
- [3] W.M.Sharp, G. Rangarajan, A. M. Sessler, and J.S. Wurtele, Proc. SPIE Conference 1407, p.535 (1991).
- [4] G.Rangarajan and A.M.Sessler, "Sensitivity studies of a standing-wave free-electron laser", Proc. of the Third Workshop on Advanced Accelerator Concepts, Port Jefferson, June 1992 (to be published); LBL preprint, LBL-32463, (1992).
- [5] J.S.Kim, A.M.Sessler and D.H.Whittum and H.Henke, "Multi-Bunch BBU(Beam-Break-Up) Studies in a SWFEL/TBA", This proceeding Pa14.
- [6] N.M. Kroll, P.L. Morton, and M.N. Rosenbluth, "Free-Electron Lasers with variable parameter wigglers", IEEE J.Quantum Electron. QE-17 p.1436 (1981).
- [7] R.E.Collins, "Foundations for microwave engineering", McGraw Hill, NY, (1966).

LAWRENCE BERKELEY LABORATORY  
UNIVERSITY OF CALIFORNIA  
TECHNICAL INFORMATION DEPARTMENT  
BERKELEY, CALIFORNIA 94720