

UCSF

UC San Francisco Previously Published Works

Title

Cutting Edge: NKG2D Signaling Enhances NK Cell Responses but Alone Is Insufficient To Drive Expansion during Mouse Cytomegalovirus Infection

Permalink

<https://escholarship.org/uc/item/2rp3d689>

Journal

The Journal of Immunology, 199(5)

ISSN

0022-1767

Authors

Nabekura, Tsukasa
Gotthardt, Dagmar
Niizuma, Kouta
[et al.](#)

Publication Date

2017-09-01

DOI

10.4049/jimmunol.1700799

Peer reviewed



Cutting Edge: NKG2D Signaling Enhances NK Cell Responses but Alone Is Insufficient To Drive Expansion during Mouse Cytomegalovirus Infection

This information is current as of August 15, 2017.

Tsukasa Nabekura, Dagmar Gotthardt, Kouta Niizuma, Tihana Trsan, Tina Jenus, Stipan Jonjic and Lewis L. Lanier

J Immunol published online 31 July 2017
<http://www.jimmunol.org/content/early/2017/07/29/jimmunol.1700799>

-
- Supplementary Material** <http://www.jimmunol.org/content/suppl/2017/07/29/jimmunol.1700799.DCSupplemental>
- Subscription** Information about subscribing to *The Journal of Immunology* is online at: <http://jimmunol.org/subscription>
- Permissions** Submit copyright permission requests at: <http://www.aai.org/About/Publications/JI/copyright.html>
- Email Alerts** Receive free email-alerts when new articles cite this article. Sign up at: <http://jimmunol.org/alerts>

The Journal of Immunology is published twice each month by The American Association of Immunologists, Inc., 1451 Rockville Pike, Suite 650, Rockville, MD 20852
Copyright © 2017 by The American Association of Immunologists, Inc. All rights reserved.
Print ISSN: 0022-1767 Online ISSN: 1550-6606.



Cutting Edge: NKG2D Signaling Enhances NK Cell Responses but Alone Is Insufficient To Drive Expansion during Mouse Cytomegalovirus Infection

Tsukasa Nabekura,^{*,†,‡,1} Dagmar Gotthardt,^{*,†,1} Kouta Niizuma,^{*,§} Tihana Trsan,[¶] Tina Jenus,[¶] Stipan Jonjic,[¶] and Lewis L. Lanier^{*,†}

NK cells play a critical role in host defense against viruses. In this study, we investigated the role of NKG2D in the expansion of NK cells after mouse CMV (MCMV) infection. Wild-type and NKG2D-deficient (*Klrk1*^{-/-}) Ly49H⁺ NK cells proliferated robustly when infected with MCMV strains engineered to allow expression of NKG2D ligands, which enhanced the response of wild-type NK cells. Naive NK cells exclusively express NKG2D-L, which pairs only with DAP10, whereas NKG2D-S expressed by activated NK cells pairs with DAP10 and DAP12, similar to Ly49H. However, NKG2D alone was unable to drive robust expansion of Ly49H⁻ NK cells when mice were infected with these MCMV strains, likely because NKG2D-S was only transiently expressed postinfection. These findings demonstrate that NKG2D augments Ly49H-dependent proliferation of NK cells; however, NKG2D signaling alone is inadequate for expansion of NK cells, likely due to only transient expression of the NKG2D–DAP12 complex. *The Journal of Immunology*, 2017, 199: 000–000.

Natural killer cells recognize abnormal or allogeneic cells by using a variety of receptors that regulate their activation, cytotoxicity, and cytokine production (1, 2). NK cells have adaptive immune features that include Ag-specific proliferation after exposure to mouse CMV (MCMV) and alloantigens (3–6). We have previously demonstrated that mouse NK cells expressing Ly49H, which specifically recognizes the m157 MCMV glycoprotein on infected cells (7), robustly expand after MCMV infection (4). The activating signals through Ly49H, the costimulatory molecule DNAM-1, and cytokines, including IL-12, IL-18, and IL-33, are required for the optimal

expansion of effector Ly49H⁺ NK cells (4, 6, 8–11). Ly49H associates with the DAP12 and DAP10 adapter molecules to transmit the activating signaling (12). DAP12-mediated signaling is essential for the clonal expansion of Ag-specific NK cells, whereas DAP10 augments this response (4, 5, 13).

NKG2D is an activating receptor that is expressed by essentially all NK cells, human CD8⁺ T cells, mouse activated CD8⁺ T cells, $\gamma\delta$ T cells, subsets of invariant NKT cells, and a minor population of human CD4⁺ T cells under certain conditions (14–16). NKG2D recognizes a family of stress-induced ligands that is distantly related to MHC class I molecules and is frequently expressed on infected and tumor cells in mice and humans (16, 17). Human NKG2D, which has no signaling motif within its short intracellular domain, associates with DAP10 via charged residues in its transmembrane domain (14, 18). Mouse NKG2D has two isoforms, with a long (NKG2D-L) or short (NKG2D-S) cytoplasmic domain that is generated by alternative RNA splicing (19, 20). As in humans, mouse NKG2D-L associates exclusively with DAP10, whereas mouse NKG2D-S associates with DAP10 and DAP12 (19, 20). In mice, naive NK cells exclusively express NKG2D-L. Stimulation of NK cells with IL-2 in vitro or by treatment with polyinosinic:polycytidylic acid in vivo induces NKG2D-S, which pairs with DAP12, as demonstrated by the expression of NKG2D on the cell surface of DAP10-deficient NK cells after activation (19, 20). NKG2D triggers IFN- γ production from NK cells and induces NK cell-mediated cytotoxicity against target cells expressing its ligands (16, 17, 21–23). However, the role of NKG2D signaling in the expansion of effector NK cells remains to be elucidated. In this study, we addressed whether an activating signal through NKG2D promotes the expansion of NK cells during MCMV infection.

*Department of Microbiology and Immunology, University of California, San Francisco, San Francisco, CA 94143; [†]Parker Institute for Cancer Immunotherapy, San Francisco, CA 94143; [‡]Life Science Center, Tsukuba Advanced Research Alliance, University of Tsukuba, Ibaraki 305-8577, Japan; [§]Ph.D. Program in Human Biology, School of Integrative and Global Majors, University of Tsukuba, Ibaraki 305-8575, Japan; and [¶]Department of Histology and Embryology, Faculty of Medicine, University of Rijeka, Rijeka 51000, Croatia

¹T.N. and D.G. contributed equally to this work.

ORCID: 0000-0002-8416-1236 (D.G.); 0000-0002-7549-2885 (T.T.); 0000-0002-1995-9620 (T.J.); 0000-0003-1308-3952 (L.L.L.).

Received for publication June 2, 2017. Accepted for publication July 12, 2017.

This work was supported by National Institutes of Health Grants AI068129 and AI066897, the Parker Institute for Cancer Immunotherapy, and European Research Council Advanced Grant 322693. L.L.L. is an American Cancer Society Professor.

T.N. is supported by the Uehara Memorial Foundation, the Natio Foundation, the Mochida Memorial Foundation for Medical and Pharmaceutical Research, the Japan Society for the Promotion of Science, the Friends of Leukemia Research Fund, and the Nakajima Foundation.

Address correspondence and reprint requests to Dr. Lewis L. Lanier, Department of Microbiology and Immunology, University of California, San Francisco, 513 Parnassus Avenue, Room HSE-1001G, San Francisco, CA 94143-0414. E-mail address: Lewis.Lanier@ucsf.edu

The online version of this article contains supplemental material.

Abbreviations used in this article: BM, bone marrow; MCMV, mouse CMV; MULT1-MCMV, MCMV expressing MULT1; p.i., postinfection; RAE-1 γ -MCMV, MCMV expressing RAE-1 γ ; WT, wild-type.

Copyright © 2017 by The American Association of Immunologists, Inc. 0022-1767/17/\$30.00

Materials and Methods

Mice

C57BL/6 and congenic CD45.1⁺ C57BL/6 mice were purchased from the National Cancer Institute and Charles River. NKG2D-deficient (*Klrk1*^{-/-}) mice (Supplemental Fig. 1), Ly49H-deficient (*Klra8*^{-/-}) mice (24) (generously provided by Dr. S. Vidal, McGill University), DAP10 (*Hcst*) and DAP12 (*Tyrobp*) double-deficient mice (25) (generously provided by T. Takai, Tohoku University), DAP10-deficient (*Hcst*^{-/-}) mice (26), and DAP12-deficient (*Tyrobp*^{-/-}) mice (27) on the C57BL/6 background were maintained at the University of California, San Francisco in accordance with the guidelines of the Institutional Animal Care and Use Committee. CD45.1⁺ wild-type (WT) and CD45.2⁺ *Klrk1*^{-/-} mixed bone marrow (BM) chimeric mice were generated as described (4).

MCMV

Smith strain WT MCMV, Δ m151–m158 mutant MCMV (MC96.73) (28), Δ m152 mutant MCMV (29), MCMV expressing RAE-1 γ (RAE-1 γ -MCMV) (30), and MCMV expressing MULT1 (MULT1-MCMV) that was inserted into the m145 locus were prepared by infecting BALB/c 3T3 cells or mouse embryonic fibroblasts in cell culture, as described (31). Mice were infected by i.p. injection of 1–10⁴ PFU WT or mutant MCMV strains. In some experiments, Smith strain WT MCMV was prepared by homogenizing salivary glands harvested from infected BALB/c mice, as described (32). Mice were infected by i.p. injection of 1 \times 10⁴ PFU salivary gland WT MCMV. For in vitro experiments, C57BL/6 3T3 cells were infected with tissue-cultured MCMV strains at 1 PFU per cell.

NK cell enrichment and adoptive transfer

NK cells were enriched by incubating splenocytes with rat mAbs against mouse CD4, CD5, CD8, CD19, Gr-1, and Ter119, followed by anti-rat IgG Abs conjugated to magnetic beads (QIAGEN), as described (8). A total of 200,000 NK cells or 100,000 Ly49H⁺ NK cells from donor mice was injected i.v. into recipient mice on the day before infection. In some experiments, Ly49H⁻ NK cells were purified using a FACSARIA III, and 5 \times 10⁴ Ly49H⁻ NK cells were injected i.v. into recipient mice on the day before infection. In other experiments, NK cells were cultured in the presence of 1000–2500 U/ml recombinant human IL-2 (generously provided by Prometheus Laboratories) for 3 d.

Flow cytometry

Fc receptors (CD16 and CD32) were blocked with 2.4G2 mAb before staining with the indicated fluorochrome-conjugated mAbs or isotype-matched control mAbs (BD Biosciences, eBioscience, BioLegend, or TONBO Biosciences). NK cells were gated as NK1.1⁺ and TCR β -chain⁻ lymphocytes. Samples were acquired on an LSR II or an LSR Fortessa (BD Biosciences), and data were analyzed with FlowJo software (TreeStar).

Statistical methods

The Student *t* test or one-way ANOVA was used to compare results. Error bars represent SEM.

Results and Discussion

NKG2D enhances expansion of Ly49H⁺ NK cells after MCMV infection

To determine whether an intrinsic deficiency of NKG2D affects NK cell responses during MCMV infection, CD45.1⁺ WT C57BL/6 NK cells and CD45.2⁺ NKG2D-deficient (*Klrk1*^{-/-}) C57BL/6 NK cells were adoptively cotransferred into syngeneic DAP10 and DAP12 double-deficient recipient mice, which lack functional surface expression of Ly49H and NKG2D, and were subsequently infected with WT MCMV. *Klrk1*^{-/-} Ly49H⁺ NK cells and WT Ly49H⁺ NK cells proliferated equivalently after MCMV infection (Fig. 1A). Because MCMV possesses several proteins that block expression of NKG2D ligands in infected cells (16, 17), a comparable response by WT and NKG2D-deficient NK cells was anticipated. To determine whether NKG2D has the potential to augment an Ly49H⁺ NK cell response or to directly induce Ly49H-independent NKG2D-mediated NK cell expansion, we infected mice with mutant strains of MCMV that were

engineered to permit expression of NKG2D ligands on infected cells. An MCMV mutant strain (Δ m152 MCMV) lacking m152, which downregulates the cell surface expression of RAE-1 proteins (33, 34), and an MCMV strain engineered to express the mouse NKG2D ligand RAE-1 γ (RAE-1 γ -MCMV) were used. These mutant MCMV-infected cells expressed higher amounts of RAE-1 proteins on their surface compared with cells infected with WT MCMV (Fig. 1B). An earlier report has demonstrated that viral burdens in mice infected with the Δ m152 MCMV and RAE-1 γ -MCMV strains are lower than in mice infected with WT MCMV in an NKG2D-dependent manner (30). We reconstituted lethally irradiated recipient mice with CD45.1⁺ WT and CD45.2⁺ *Klrk1*^{-/-} BM cells and allowed NK cells to reconstitute in the recipient mice for >5 wk so that WT and NKG2D-deficient NK cells would develop in the same environment. Ly49H⁺ NK cells were isolated from the mixed BM chimeric mice, adoptively transferred into DAP10 and DAP12 double-deficient mice, and infected with WT MCMV, Δ m152 MCMV, or RAE-1 γ -MCMV. When infected with RAE-1 γ -MCMV, WT Ly49H⁺ NK cells proliferated more robustly than did *Klrk1*^{-/-} Ly49H⁺ NK cells, with peak NK cell expansion in the blood on day 7 postinfection (p.i.) (Fig. 1C), although RAE-1 γ -MCMV is attenuated and results in reduced viral load when infected in vivo (30). These results demonstrate that NKG2D is dispensable for MCMV-specific expansion of Ly49H⁺ NK cells when infected with the WT MCMV strain, whereas enhanced NKG2D signaling amplifies proliferation of Ly49H⁺ NK cells p.i. with MCMV strains capable of inducing expression of NKG2D ligands in the infected cells.

NKG2D signaling alone is insufficient for expansion of NK cells after MCMV infection

In mice, activated NK cells can express an NKG2D isoform, NKG2D-S, which pairs and signals through DAP12 and DAP10, similar to Ly49H, which also associates with DAP10 and DAP12 (13). Therefore, we addressed the possibility that NKG2D signaling through NKG2D-S alone, in the absence of Ly49H signaling, might support activation and proliferation of NK cells p.i. with MCMV strains engineered to allow expression of NKG2D ligands in infected cells. Purified CD45.1⁺ Ly49H⁻ WT NK cells and CD45.2⁺ Ly49H⁻ *Klrk1*^{-/-} NK cells were adoptively cotransferred into DAP10 and DAP12 double-deficient recipient mice and then infected with WT MCMV, RAE-1 γ -MCMV, or an MCMV strain expressing the high-affinity mouse NKG2D ligand MULT1 (MULT1-MCMV). Surprisingly, donor WT Ly49H⁻ NK cells did not proliferate robustly in the blood p.i. with WT or mutant MCMV strains allowing expression of RAE-1 γ or MULT1 on infected cells (Fig. 2A). To confirm these results, CD45.1⁺ Ly49H-deficient (*Klra8*^{-/-}) NK cells were transferred into DAP10 and DAP12 double-deficient recipient mice and infected with Δ m152 MCMV or RAE-1 γ -MCMV. These donor Ly49H-deficient NK cells failed to expand after mutant MCMV infection (Fig. 2B). These results indicate that NKG2D signaling alone is inadequate for clonal expansion of NK cells, in contrast to Ly49H.

NK cells downregulate NKG2D by binding with its ligand after MCMV infection

To investigate the roles of DAP10 and DAP12 in NKG2D signaling in the absence of Ly49H during MCMV infection,

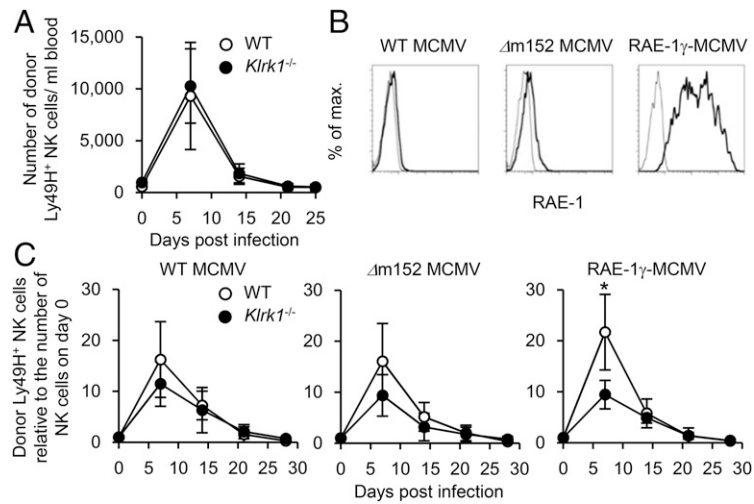


FIGURE 1. NKG2D enhances expansion of Ly49H⁺ NK cells after MCMV infection. **(A)** A total of 100,000 CD45.1⁺ WT Ly49H⁺ NK cells and CD45.2⁺ NKG2D-deficient Ly49H⁺ NK cells was cotransferred into DAP10 and DAP12 double-deficient recipient mice and infected with 1 × 10⁵ PFU tissue culture-propagated WT MCMV. The absolute numbers of donor Ly49H⁺ NK cells in the blood are shown. Data were pooled from two experiments (*n* = 7 mice). **(B)** Expression of RAE-1 proteins on C57BL/6 3T3 cells at 60 h p.i. with tissue culture-propagated MCMV strains at 1 PFU per cell. Thin and bold lines represent staining with an isotype-matched control and anti-RAE-1 pan-specific mAb. Data are representative of two experiments. **(C)** NK cells were purified from CD45.1⁺ WT and CD45.2⁺ *Klrk1*^{-/-} mixed BM chimeric mice. A total of 100,000 WT and *Klrk1*^{-/-} Ly49H⁺ NK cells was transferred into DAP10 and DAP12 double-deficient mice and infected with 1 × 10⁵ PFU tissue culture-propagated WT MCMV, Δm152 MCMV, or RAE-1γ-MCMV. The kinetics of the absolute number of donor Ly49H⁺ NK cells in the blood is represented as the ratio relative to the number of donor Ly49H⁺ NK cells in the blood on day 0 (before infection). Data are representative of two independent experiments (*n* = 4 mice per experiment and MCMV strain). **p* < 0.05.

we used a mutant MCMV strain Δm151–m158 MCMV, which lacks the m151–m158 MCMV gene loci. This strain lacks the m157 ligand of Ly49H, thereby preventing the immunodominant NK cell response to m157, and deletion of m152 allows the infected cells to express RAE-1 ligands (Fig. 3A). WT NK cells, DAP12-deficient (*Tyrobp*^{-/-}) NK cells, and DAP10-deficient (*Hcst*^{-/-}) NK cells were cotransferred into DAP10 and DAP12 double-deficient mice and infected with Δm151–m158 MCMV. In infected mice, the activated WT NK cells would be capable of expressing NKG2D–DAP12 and NKG2D–DAP10 receptor complexes, *Tyrobp*^{-/-} NK cells would exclusively express NKG2D–DAP10 receptor complexes, and *Hcst*^{-/-} NK cells would express only NKG2D–DAP12 receptor complexes. After infection with Δm151–m158 MCMV, none of the NK cells expanded, and all decreased in frequency over the course of infection (Fig. 3B), in contrast to the robust expansion of Ly49H⁺ NK cells that is observed p.i. with an MCMV strain expressing m157 (4). Although naive WT and

Tyrobp^{-/-} NK cells expressed comparable amounts of NKG2D on their cell surface, consistent with the lack of NKG2D-S in resting NK cells, naive *Hcst*^{-/-} NK cells lacked expression of NKG2D. After Δm151–m158 MCMV infection, the cell surface density of NKG2D on WT and *Tyrobp*^{-/-} NK cells decreased significantly, indicating that the NK cells had likely interacted with NKG2D ligand-bearing cells, which would cause internalization of NKG2D (35) (Fig. 3C). Little NKG2D was observed on the cell surface of *Hcst*^{-/-} NK cells at all time points during the infection (Fig. 3C).

NK cells only transiently express NKG2D–DAP12 receptor complexes during MCMV infection

Naive *Hcst*^{-/-} NK cells do not express appreciable NKG2D on their surface (Fig. 4A), whereas naive WT NK cells express NKG2D. Consistent with prior studies (19, 20), we observed that in vitro culture of *Hcst*^{-/-} NK cells in IL-2 induces expression of NKG2D–DAP12 receptor complexes on the

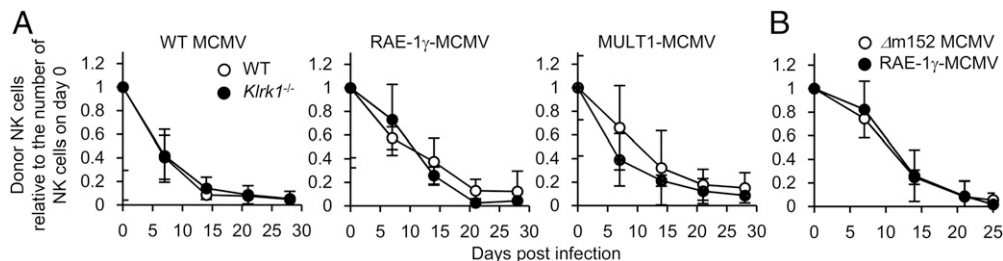


FIGURE 2. NKG2D signaling is insufficient for expansion of NK cells after MCMV infection. **(A)** A total of 5 × 10⁴ purified CD45.1⁺ Ly49H⁻ WT NK cells and CD45.2⁺ Ly49H⁻ *Klrk1*^{-/-} NK cells was cotransferred into DAP10 and DAP12 double-deficient mice and infected with 1 × 10⁵ PFU tissue culture-propagated WT MCMV, RAE-1γ-MCMV, or MULT1-MCMV. Donor NK cells were identified by expression of CD45 congenic markers. The kinetics of the absolute number of donor Ly49H⁻ NK cells in the blood is represented as the ratio relative to the number of donor Ly49H⁻ NK cells in the blood on day 0 (before infection). Data are representative of two independent experiments (*n* = 3 mice per experiment and MCMV strain). **(B)** A total of 200,000 CD45.1⁺ Ly49H-deficient NK cells was transferred into DAP10 and DAP12 double-deficient mice and infected with 1 × 10⁴ PFU tissue culture-propagated Δm152 MCMV or RAE-1γ-MCMV. The kinetics of the absolute number of donor NK cells in the blood is represented as the ratio relative to the number of donor NK cells in the blood on day 0 (before infection). Data are representative of two independent experiments (*n* = 3 mice per experiment and MCMV strain).

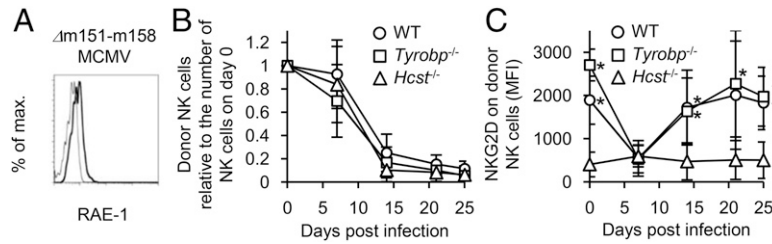


FIGURE 3. NK cells downregulate NKG2D after MCMV infection. **(A)** Expression of RAE-1 proteins on C57BL/6 3T3 cells at 60 h p.i. with tissue culture-propagated $\Delta m151$ – $m158$ MCMV at 1 PFU per cell. Thin and bold lines represent staining with an isotype-matched control and anti-RAE-1 pan-specific mAb. Data are representative of two experiments. **(B and C)** A total of 200,000 CD45.1⁺CD45.2⁺ WT NK cells, CD45.1⁺ *Tyrobp*^{-/-} NK cells, and CD45.2⁺ *Hcst*^{-/-} NK cells was cotransferred into DAP10 and DAP12 double-deficient mice and infected with 1×10^5 PFU tissue culture-propagated $\Delta m151$ – $m158$ MCMV. Donor WT NK cells and *Tyrobp*^{-/-} NK cells were identified by expression of CD45 congenic markers, and donor *Hcst*^{-/-} NK cells were identified by expression of Ly49H and CD45 congenic markers. **(B)** The kinetics of the absolute number of donor NK cells in the blood is represented as the ratio relative to the number of donor NK cells in the blood on day 0 (before infection). **(C)** Expression of NKG2D on donor NK cells in the blood is represented as mean fluorescent intensity (MFI). Data were pooled from two experiments ($n = 8$ mice). * $p < 0.05$ versus WT.

cell surface (Fig. 4B). Although we did not detect expression of NKG2D on the cell surface of *Hcst*^{-/-} NK cells p.i. with $\Delta m151$ – $m158$ MCMV, it is possible that NKG2D-S was induced during the infection but that the NKG2D–DAP12 receptor complex was downmodulated by interaction with RAE-1 on the infected cells because, in the absence of m152, RAE-1 is expressed on the surface of infected cells. Therefore, to determine whether NKG2D–DAP12 complexes are expressed on NK cells after MCMV infection, WT and *Hcst*^{-/-} mice were infected with WT MCMV, because WT MCMV efficiently blocks the expression of NKG2D ligands on infected cells, therefore avoiding ligand-induced downmodulation of NKG2D. *Hcst*^{-/-} Ly49H⁺ NK cells indeed expressed low amounts of DAP12-associated NKG2D on day 2 p.i.; however, this was transient, and no NKG2D was detected on Ly49H⁺ NK cells by day 14 (Fig. 4C). These findings imply that NKG2D–DAP12 complexes are only transiently expressed during infection and, once induced, expression apparently is not stable.

A previous study demonstrated that the deficiency of NKG2D causes faster homeostatic cell division of NK cells and augments their sensitivity to apoptosis in the naive state (36). Although *Klrk1*^{-/-} NK cells were reported to exhibit a faster maturation and enhanced IFN- γ production when infected with an MCMV strain lacking m157 (36), our results demonstrate that expansion of MCMV-specific Ly49H⁺ NK cells lacking NKG2D is intact when infected with WT MCMV. The activating Ly49H and Ly49D receptors associate with DAP12 and DAP10, and both receptors are capable of driving NK cell expansion when stimulated by their cognate ligands,

MCMV m157 (4, 6) and H-2D^d alloantigens (5), respectively. Because NKG2D can also pair with DAP10 and DAP12, this prompted us to determine whether activation through NKG2D could also drive clonal expansion of NK cells. Because NKG2D ligands are expressed by many tumors and by cells infected with numerous pathogens (37), if NKG2D receptor signaling were capable of driving NK cell expansion, this would be beneficial in host defense and provide a therapeutic opportunity for cancer. However, in contrast to Ly49H, NKG2D alone is unable to promote robust expansion of NK cells during MCMV infection, even when the MCMV genes that prevent RAE-1 expression in infected cells are removed from the viral genome or in MCMV strains that are engineered to overexpress mouse NKG2D ligands in infected cells. We also failed to induce NKG2D-dependent NK cell expansion when mice were challenged with NKG2D ligand-bearing tumors in the context of a viral infection to provide proinflammatory cytokines to augment the response (T. Nabekura, K. Niizuma, and L.L. Lanier, unpublished observations). In the case of Ly49H, Ly49H–DAP12 receptor complexes are essential to drive extensive proliferation during MCMV infection (4, 38). Although Ly49H–DAP10 receptors can be detected in low amounts on the surface of *Tyrobp*^{-/-} NK cells, NK cells lacking DAP12 had a significantly impaired proliferative response after MCMV infection compared with WT NK cells (13). The inability of NKG2D–DAP12 receptors to induce a robust expansion is likely due to the transient expression of NKG2D–DAP12 complexes during MCMV infection. These findings support the concept that the strength of DAP10 signaling modulates the magnitude of

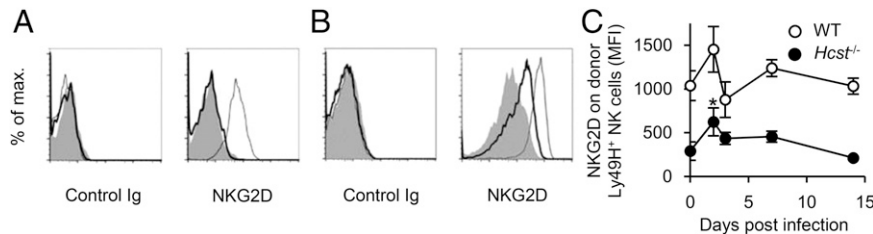


FIGURE 4. NK cells only transiently express DAP12-associated NKG2D after MCMV infection. **(A and B)** WT, *Hcst*^{-/-}, and DAP10 and DAP12 double-deficient NK cells were stained with control Ig or anti-NKG2D mAb. **(A)** Expression of NKG2D on naive WT NK cells (thin line), *Hcst*^{-/-} NK cells (bold line), and DAP10 and DAP12 double-deficient NK cells (filled graph) is shown. **(B)** WT, *Hcst*^{-/-}, and DAP10 and DAP12 double-deficient NK cells were cultured in the presence of 1000 U/ml human IL-2 for 3 d. Expression of NKG2D on IL-2-cultured WT NK cells (thin line), *Hcst*^{-/-} NK cells (bold line), and DAP10 and DAP12 double-deficient NK cells (filled graph) is shown. **(C)** WT and *Hcst*^{-/-} mice were infected with 1×10^4 PFU in vivo salivary gland-passaged WT MCMV. Expression of NKG2D on Ly49H⁺ NK cells in the blood is represented as mean fluorescent intensity (MFI). Data were pooled from two experiments ($n = 2$ –10 mice). * $p < 0.05$ versus day 0.

expansion of NK cells, whereas DAP12 is the essential driver for expansion of Ag-specific NK cells. The action of DAP10 in NK cells is reminiscent of costimulatory signals for TCRs in T cells. In accordance with this, previous studies have reported that NKG2D acts as a costimulatory receptor on CD8⁺ T cells (39–42). Reciprocally, DAP12 serves as the dominant driver of activation by its recruitment of Syk and ZAP-70 tyrosine kinases, which are also responsible for downstream signal transduction of the CD3 subunits of the TCR (43–45). Conceptually, DAP12 signaling through activating Ly49 receptors on NK cells is functionally analogous to TCR signaling in T cells, with DAP10 functioning in a costimulatory role. Intriguingly, mice immunized with an MCMV strain engineered to express a mouse NKG2D ligand exhibit an amplified CD8⁺ T cell response and improved survival against the secondary challenge with virulent MCMV compared with mice initially immunized with WT MCMV (30). Similarly, our current study revealed an enhanced Ly49H⁺ NK cell response in mice infected with the MCMV strain expressing mouse NKG2D ligands, suggesting a new strategy to possibly augment NK cell responses in the context of vaccination.

Acknowledgments

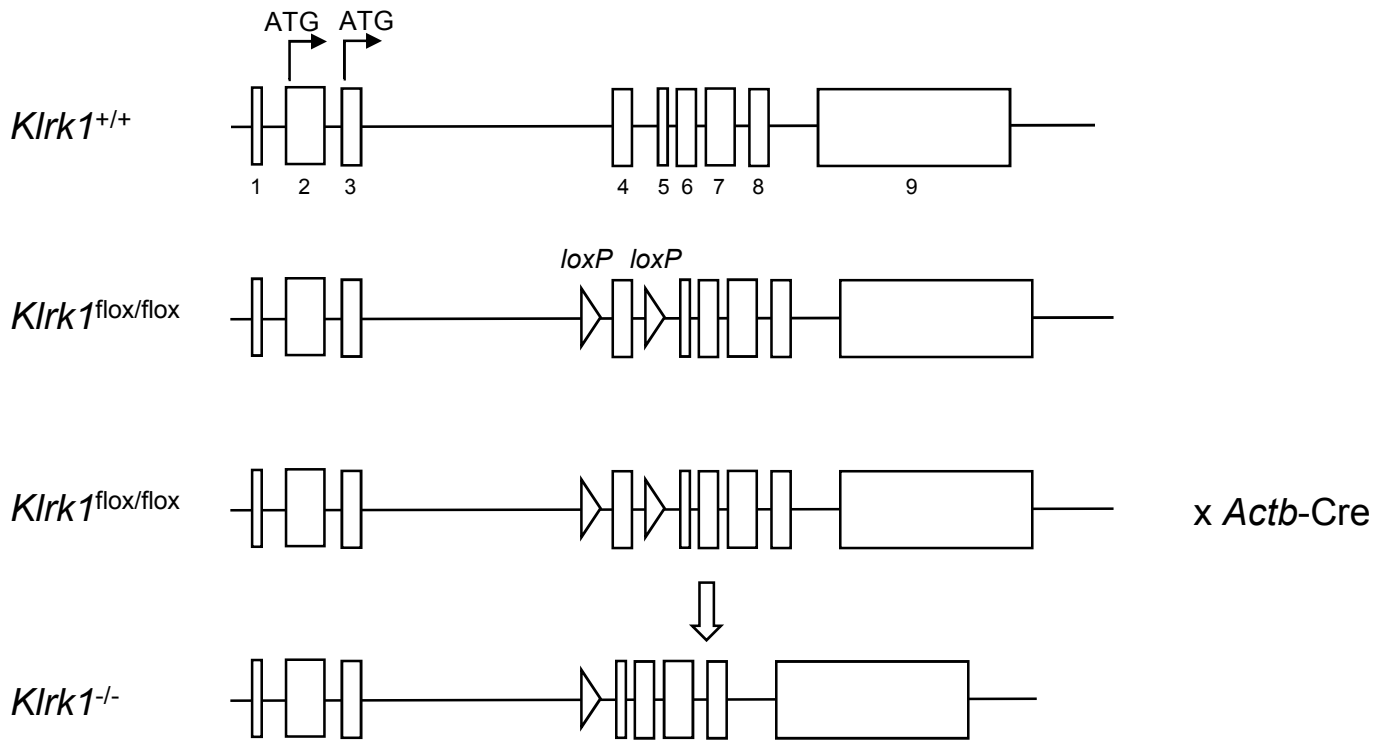
We thank the Lanier laboratory members for helpful comments and discussions. We are grateful to Dr. Maelig Morvan (University of California, San Francisco) for generation of *Klrk1*^{-/-} mice, and we thank Prometheus Laboratories, Inc. for providing recombinant human IL-2.

Disclosures

The authors have no financial conflicts of interest.

References

- Lanier, L. L. 2005. NK cell recognition. *Annu. Rev. Immunol.* 23: 225–274.
- Lanier, L. L. 2003. Natural killer cell receptor signaling. *Curr. Opin. Immunol.* 15: 308–314.
- Min-Oo, G., Y. Kamimura, D. W. Hendricks, T. Nabekura, and L. L. Lanier. 2013. Natural killer cells: walking three paths down memory lane. *Trends Immunol.* 34: 251–258.
- Sun, J. C., J. N. Beilke, and L. L. Lanier. 2009. Adaptive immune features of natural killer cells. *Nature* 457: 557–561.
- Nabekura, T., and L. L. Lanier. 2014. Antigen-specific expansion and differentiation of natural killer cells by alloantigen stimulation. *J. Exp. Med.* 211: 2455–2465.
- Nabekura, T., and L. L. Lanier. 2016. Tracking the fate of antigen-specific versus cytokine-activated natural killer cells after cytomegalovirus infection. *J. Exp. Med.* 213: 2745–2758.
- Arase, H., E. S. Mocarski, A. E. Campbell, A. B. Hill, and L. L. Lanier. 2002. Direct recognition of cytomegalovirus by activating and inhibitory NK cell receptors. *Science* 296: 1323–1326.
- Nabekura, T., M. Kanaya, A. Shibuya, G. Fu, N. R. Gascoigne, and L. L. Lanier. 2014. Costimulatory molecule DNAM-1 is essential for optimal differentiation of memory natural killer cells during mouse cytomegalovirus infection. *Immunity* 40: 225–234.
- Sun, J. C., S. Madera, N. A. Bezman, J. N. Beilke, M. H. Kaplan, and L. L. Lanier. 2012. Proinflammatory cytokine signaling required for the generation of natural killer cell memory. *J. Exp. Med.* 209: 947–954.
- Madera, S., and J. C. Sun. 2015. Cutting edge: stage-specific requirement of IL-18 for antiviral NK cell expansion. *J. Immunol.* 194: 1408–1412.
- Nabekura, T., J. P. Girard, and L. L. Lanier. 2015. IL-33 receptor ST2 amplifies the expansion of NK cells and enhances host defense during mouse cytomegalovirus infection. *J. Immunol.* 194: 5948–5952.
- Lanier, L. L. 2009. DAP10- and DAP12-associated receptors in innate immunity. *Immunol. Rev.* 227: 150–160.
- Orr, M. T., J. C. Sun, D. G. Hesslein, H. Arase, J. H. Phillips, T. Takai, and L. L. Lanier. 2009. Ly49H signaling through DAP10 is essential for optimal natural killer cell responses to mouse cytomegalovirus infection. *J. Exp. Med.* 206: 807–817.
- Wu, J., Y. Song, A. B. Bakker, S. Bauer, T. Spies, L. L. Lanier, and J. H. Phillips. 1999. An activating immunoreceptor complex formed by NKG2D and DAP10. *Science* 285: 730–732.
- Jamieson, A. M., A. Diefenbach, C. W. McMahon, N. Xiong, J. R. Carlyle, and D. H. Raulet. 2002. The role of the NKG2D immunoreceptor in immune cell activation and natural killing. *Immunity* 17: 19–29.
- Champsaur, M., and L. L. Lanier. 2010. Effect of NKG2D ligand expression on host immune responses. *Immunol. Rev.* 235: 267–285.
- Raulet, D. H. 2003. Roles of the NKG2D immunoreceptor and its ligands. *Nat. Rev. Immunol.* 3: 781–790.
- Houchins, J. P., T. Yabe, C. McSherry, and F. H. Bach. 1991. DNA sequence analysis of NKG2, a family of related cDNA clones encoding type II integral membrane proteins on human natural killer cells. *J. Exp. Med.* 173: 1017–1020.
- Diefenbach, A., E. Tomasello, M. Lucas, A. M. Jamieson, J. K. Hsia, E. Vivier, and D. H. Raulet. 2002. Selective associations with signaling proteins determine stimulatory versus costimulatory activity of NKG2D. *Nat. Immunol.* 3: 1142–1149.
- Gilfillan, S., E. L. Ho, M. Cella, W. M. Yokoyama, and M. Colonna. 2002. NKG2D recruits two distinct adaptors to trigger NK cell activation and costimulation. *Nat. Immunol.* 3: 1150–1155.
- Bauer, S., V. Groh, J. Wu, A. Steinle, J. H. Phillips, L. L. Lanier, and T. Spies. 1999. Activation of NK cells and T cells by NKG2D, a receptor for stress-inducible MICA. *Science* 285: 727–729.
- Billadeau, D. D., J. L. Upshaw, R. A. Schoon, C. J. Dick, and P. J. Leibson. 2003. NKG2D-DAP10 triggers human NK cell-mediated killing via a Syk-independent regulatory pathway. *Nat. Immunol.* 4: 557–564.
- Zompi, S., J. A. Hamerman, K. Ogasawara, E. Schweighoffer, V. L. Tybulewicz, J. P. Di Santo, L. L. Lanier, and F. Colucci. 2003. NKG2D triggers cytotoxicity in mouse NK cells lacking DAP12 or Syk family kinases. *Nat. Immunol.* 4: 565–572.
- Fodil-Cornu, N., S. H. Lee, S. Belanger, A. P. Makrigiannis, C. A. Biron, R. M. Buller, and S. M. Vidal. 2008. Ly49h-deficient C57BL/6 mice: a new mouse cytomegalovirus-susceptible model remains resistant to unrelated pathogens controlled by the NK gene complex. *J. Immunol.* 181: 6394–6405.
- Inui, M., Y. Kikuchi, N. Aoki, S. Endo, T. Maeda, A. Sugahara-Tobinai, S. Fujimura, A. Nakamura, A. Kumanogoh, M. Colonna, and T. Takai. 2009. Signal adaptor DAP10 associates with MDL-1 and triggers osteoclastogenesis in cooperation with DAP12. *Proc. Natl. Acad. Sci. USA* 106: 4816–4821.
- Hyka-Nouspikel, N., and J. H. Phillips. 2006. Physiological roles of murine DAP10 adapter protein in tumor immunity and autoimmunity. *Immunol. Rev.* 214: 106–117.
- Bakker, A. B., R. M. Hoek, A. Cerwenka, B. Blom, L. Lucian, T. McNeil, R. Murray, L. H. Phillips, J. D. Sedgwick, and L. L. Lanier. 2000. DAP12-deficient mice fail to develop autoimmunity due to impaired antigen priming. *Immunity* 13: 345–353.
- Wagner, M., S. Jonjic, U. H. Koszinowski, and M. Messerle. 1999. Systematic excision of vector sequences from the BAC-cloned herpesvirus genome during virus reconstitution. *J. Virol.* 73: 7056–7060.
- Krmpotic, A., D. H. Busch, I. Bubić, F. Gebhardt, H. Hengel, M. Hasan, A. A. Scalzo, U. H. Koszinowski, and S. Jonjic. 2002. MCMV glycoprotein gp40 confers virus resistance to CD8⁺ T cells and NK cells in vivo. *Nat. Immunol.* 3: 529–535.
- Slavuljica, I., A. Busche, M. Babić, M. Mitrović, I. Gašparović, D. Cekinović, E. Markova Car, E. Pernjak Pugel, A. Ciković, V. J. Lisnić, et al. 2010. Recombinant mouse cytomegalovirus expressing a ligand for the NKG2D receptor is attenuated and has improved vaccine properties. *J. Clin. Invest.* 120: 4532–4545.
- Bubić, I., M. Wagner, A. Krmpotic, T. Saulig, S. Kim, W. M. Yokoyama, S. Jonjic, and U. H. Koszinowski. 2004. Gain of virulence caused by loss of a gene in murine cytomegalovirus. *J. Virol.* 78: 7536–7544.
- Brune, W., H. Hengel, and U. H. Koszinowski. 2001. A mouse model for cytomegalovirus infection. *Curr. Protoc. Immunol.* Chapter 19: Unit 19.17.
- Lodoen, M., K. Ogasawara, J. A. Hamerman, H. Arase, J. P. Houchins, E. S. Mocarski, and L. L. Lanier. 2003. NKG2D-mediated natural killer cell protection against cytomegalovirus is impaired by viral gp40 modulation of retinoic acid early inducible 1 gene molecules. *J. Exp. Med.* 197: 1245–1253.
- Arapovic, J., T. Lenac, R. Antulov, B. Polić, Z. Ruzsics, L. N. Carayannopoulos, U. H. Koszinowski, A. Krmpotic, and S. Jonjic. 2009. Differential susceptibility of RAE-1 isoforms to mouse cytomegalovirus. *J. Virol.* 83: 8198–8207.
- Ogasawara, K., J. A. Hamerman, H. Hsin, S. Chikuma, H. Bour-Jordan, T. Chen, T. Pertel, C. Carnaud, J. A. Bluestone, and L. L. Lanier. 2003. Impairment of NK cell function by NKG2D modulation in NOD mice. *Immunity* 18: 41–51.
- Zafirova, B., S. Mandarić, R. Antulov, A. Krmpotic, H. Jonsson, W. M. Yokoyama, S. Jonjic, and B. Polić. 2009. Altered NK cell development and enhanced NK cell-mediated resistance to mouse cytomegalovirus in NKG2D-deficient mice. *Immunity* 31: 270–282.
- Lanier, L. L. 2015. NKG2D receptor and its ligands in host defense. *Cancer Immunol. Res.* 3: 575–582.
- Sjölin, H., E. Tomasello, M. Mousavi-Jazi, A. Bartolazzi, K. Kärre, E. Vivier, and C. Cerboni. 2002. Pivotal role of KARAP/DAP12 adaptor molecule in the natural killer cell-mediated resistance to murine cytomegalovirus infection. *J. Exp. Med.* 195: 825–834.
- Groh, V., R. Rhinehart, J. Randolph-Habecker, M. S. Topp, S. R. Riddell, and T. Spies. 2001. Costimulation of CD8alpha⁺ T cells by NKG2D via engagement by MIC induced on virus-infected cells. *Nat. Immunol.* 2: 255–260.
- Maasho, K., J. Opoku-Anane, A. I. Marusina, J. E. Coligan, and F. Borrego. 2005. NKG2D is a costimulatory receptor for human naive CD8⁺ T cells. *J. Immunol.* 174: 4480–4484.
- Kavazović, I., M. Lenartić, V. Jelencić, S. Jurković, N. A. W. Lemmermann, S. Jonjic, B. Polić, and F. M. Wensveen. 2017. NKG2D stimulation of CD8⁺ T cells during priming promotes their capacity to produce cytokines in response to viral infection in mice. *Eur. J. Immunol.* 47: 1123–1135.
- Tomić, A., P. R. Varanasi, M. Golemac, S. Malić, P. Riese, E. M. Borst, E. Mischak-Weissinger, C. A. Guzmán, A. Krmpotic, S. Jonjic, and M. Messerle. 2016. Activation of innate and adaptive immunity by a recombinant human cytomegalovirus strain expressing an NKG2D ligand. *PLoS Pathog.* 12: e1006015.
- Lanier, L. L., and A. B. Bakker. 2000. The ITAM-bearing transmembrane adaptor DAP12 in lymphoid and myeloid cell function. *Immunity Today* 21: 611–614.
- Lanier, L. L., B. C. Corliss, J. Wu, C. Leong, and J. H. Phillips. 1998. Immunoreceptor DAP12 bearing a tyrosine-based activation motif is involved in activating NK cells. *Nature* 391: 703–707.
- Straus, D. B., and A. Weiss. 1993. The CD3 chains of the T cell antigen receptor associate with the ZAP-70 tyrosine kinase and are tyrosine phosphorylated after receptor stimulation. *J. Exp. Med.* 178: 1523–1530.



Supplemental Figure 1. Generation of *Klrk1*^{-/-} mice

We flanked exon 4 of the *Klrk1* gene with *loxP* sites and transfected this altered gene into Bruce4 embryonic stem cells derived from C57BL/6 (B6) mice. Chimeric mice were generated and germline transmission of the floxed *Klrk1* gene in the offspring of these founder mice was achieved. The targeting vector used to create the floxed *Klrk1* gene contained a neomycin-resistance element that was used for selection of ES cells with homologous recombination. In our targeting vector, the neomycin-resistance element is flanked by sites that allow for excision by the *FlpE* enzyme. Therefore, heterozygous mice with a floxed *Klrk1* gene were bred to B6 transgenic mice with a *FlpE* transgene. The offspring were genotyped to select mice with a floxed *Klrk1* allele, but lacking the neomycin-resistant element, and these mice were crossed with wild-type B6 mice to generate mice that have a floxed *Klrk1* gene, but lack the *FlpE* transgene. A subsequent cross of these mice will result in mice homozygous for the floxed *Klrk1* gene (*Klrk1*^{lox/lox} mice). *Klrk1*^{-/-} mice were obtained from the breeding of *Klrk1*^{lox/lox} mice and *Actb*-Cre deleter mice. Homozygous mice with a floxed *Klrk1* gene and an *Actb*-Cre transgene (*Klrk1*^{lox/lox} *Actb*-Cre mice) were screened and mice in which NK cells do not express NKG2D were selected for the subsequent breeding. These mice were bred with *Klrk1*^{lox/lox} mice and the offspring that do not have the *Actb*-Cre transgene in their germlines were further maintained as *Klrk1*^{-/-} mice.