

# Lawrence Berkeley National Laboratory

## Lawrence Berkeley National Laboratory

### **Title**

CALCULATING INTERIOR DAYLIGHT ILLUMINATION WITH A PROGRAMMABLE HAND CALCULATOR

### **Permalink**

<https://escholarship.org/uc/item/14x9r7cj>

### **Author**

Bryan, Harvey J.

### **Publication Date**

1980-08-01



# Lawrence Berkeley Laboratory

UNIVERSITY OF CALIFORNIA

## ENERGY & ENVIRONMENT DIVISION

Presented at the Illuminating Engineering Society  
Annual Technical Conference, Dallas, TX, August 24-28, 1980

CALCULATING INTERIOR DAYLIGHT ILLUMINATION WITH A  
PROGRAMMABLE HAND CALCULATOR

Harvey J. Bryan and Robert D. Clear

August 1980

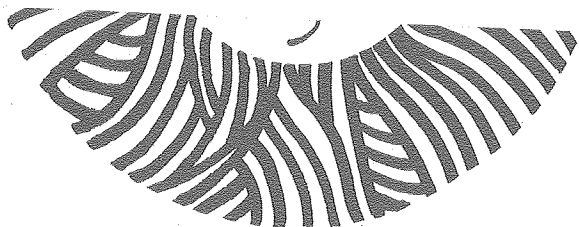
RECEIVED  
LAWRENCE  
BERKELEY LABORATORY

NOV 20 1980

LIBRARY AND  
DOCUMENTS SECTION

### TWO-WEEK LOAN COPY

*This is a Library Circulating Copy  
which may be borrowed for two weeks.  
For a personal retention copy, call  
Tech. Info. Division, Ext. 6782.*



LBL-11687 c.2

## DISCLAIMER

This document was prepared as an account of work sponsored by the United States Government. While this document is believed to contain correct information, neither the United States Government nor any agency thereof, nor the Regents of the University of California, nor any of their employees, makes any warranty, express or implied, or assumes any legal responsibility for the accuracy, completeness, or usefulness of any information, apparatus, product, or process disclosed, or represents that its use would not infringe privately owned rights. Reference herein to any specific commercial product, process, or service by its trade name, trademark, manufacturer, or otherwise, does not necessarily constitute or imply its endorsement, recommendation, or favoring by the United States Government or any agency thereof, or the Regents of the University of California. The views and opinions of authors expressed herein do not necessarily state or reflect those of the United States Government or any agency thereof or the Regents of the University of California.

W-71  
LBL-11687  
EEB-W-80-16

Presented at the Illuminating Engineering Society  
Annual Technical Conference  
Dallas, Texas  
August 24-28, 1980

CALCULATING INTERIOR DAYLIGHT ILLUMINATION  
WITH A PROGRAMMABLE HAND CALCULATOR

Harvey J. Bryan and Robert D. Clear

Lawrence Berkeley Laboratory  
University of California  
Berkeley, California 94720

August 1980

The work described in this report was funded  
by the Office of Buildings and Community  
Systems, Assistant Secretary for Conservation  
and Solar Applications of the U. S. Department  
of Energy under Contract No. W-7405-ENG-48.

A condensed version of this paper will appear in  
the Proceedings of the Fifth National Passive Solar Conference  
Amherst, Massachusetts  
October 19-26, 1980



CALCULATING INTERIOR DAYLIGHT ILLUMINATION  
WITH A PROGRAMMABLE HAND CALCULATOR

Harvey J. Bryan and Robert D. Clear

Lawrence Berkeley Laboratory  
University of California  
Berkeley, California 94720

ABSTRACT

A procedure is described for calculating interior daylight illumination using an inexpensive programmable hand calculator. The proposed procedure calculates illumination at any point within a room utilizing sky luminance distribution functions that are consistent with the CIE (Commission Internationale de l'Eclairage) Overcast and Clear Sky functions. This procedure separates the light reaching the point being considered into three components, these being (a) light directly from the sky, (b) light after being reflected from external, and (c) internal surfaces. Finally, two examples are presented in order to demonstrate the proposed procedure and indicate the speed with which the calculations may be performed.

KEY WORDS

Daylighting, natural illumination, lighting, energy conservation, energy use in buildings, programmable hand calculators.



## INTRODUCTION

As design professionals focus on thermal load reduction in commercial buildings, lighting looms as the single largest energy consumer in these buildings. Daylighting is presently being proposed as one of the most promising energy conservation strategies for reducing these lighting loads.<sup>1</sup> Although substantial savings in both electrical energy and peak power demand exist, it is not obvious that projected savings can be achieved given the present state of daylighting design procedures. The major obstacle in the utilization of daylighting is the lack of accurate and simple procedures for daylighting analysis.

Present procedures for calculating the effects of daylight can be divided into two categories: simplified procedures (e.g., lumen method<sup>2</sup>) which often make assumptions which can result in questionable accuracy, and computer programs (e.g., Lumen II daylighting program<sup>3</sup>) which although highly accurate, require the preparation of detailed input data and access to time-sharing computer facilities. Therefore, it became necessary that a procedure be developed for calculating daylight which is highly accurate and yet not dependent on a computer environment. This objective can now be achieved with the aid of a programmable hand calculator.

Numerous procedures for calculating illumination from natural sources have been discussed in the literature.<sup>4</sup> However, none of these procedures have been introduced into a programmable hand calculator. The proposed procedure utilizes the daylight factor method, which is able to calculate daylight illumination at any point within a room. The procedure presented in this paper was developed specifically for the Texas Instruments TI-59 calculator, however with some minor modifications this procedure can be extended to other programmable hand calculators (e.g., HP-67).



## THE DAYLIGHT FACTOR METHOD

The daylight factor method, which is recommended by the CIE (Commission Internationale de l'Eclairage), is used in Europe, particularly in Britain where the method was first developed. Today, the daylight factor is defined as the ratio between the daylight illumination at a point in the interior and the simultaneous exterior illumination available on a horizontal surface from an unobstructed sky (excluding direct sunlight) expressed as a percentage. The light reaching the point being considered is separated into three paths (see Figure 1): light directly from the sky (Sky Component or SC); light after reflection from external surfaces (Externally Reflected Component or ERC); and light after reflection from internal surfaces (Internally Reflected Component or IRC). The total for these three components gives the daylight factor, which is simply expressed as:

$$\text{Daylight Factor} = \text{SC} + \text{ERC} + \text{IRC}$$

## THE SKY COMPONENT

The sky component is the ratio between the daylight illumination at a point in the interior which is received directly from the sky and the simultaneous exterior illumination available on a horizontal surface from an unobstructed sky.

### Overcast Sky:

The sky component from an overcast sky is a function of the sky luminance, the window transmission, the solid angle ( $\sin\theta d\theta d\phi$ ) and the cosine correction ( $\cos\theta$ ) for the projection onto the horizontal plane. Here  $\theta, \phi$  are the standard polar angles;  $\theta$  equals the angle from the zenith ( $\theta=90^\circ$ -altitude) and  $\phi$  equals the azimuthal angle. For convenience we set

$\theta=0$  to be the direction of the window normal. The CIE Standard Sky luminance function<sup>5</sup> is given by the following formula:

$$L(\theta) = \frac{L(0)}{3} (1 + 2\cos\theta) \dots \dots \dots (1)$$

where

- L( $\theta$ ) = Luminance of sky position at angle  $\theta$
- L(0) = Luminance of the zenith
- $\theta$  = Angle from the zenith to sky position

The illumination through a window is then divided by the illumination on a horizontal plane which is the integral of equation (1) times the cosine correction over the hemisphere. This integral has been done analytically and is equal to  $\pi/9 L(0)$ .

The window transmission correction for angle of incidence loss must also be considered. Rivero's approximation for angle of incidence loss is used,<sup>6</sup> which is given by the following formula:

$$T(\psi) = 1.018 T(0) \cos^3(1 + \sin^3\psi) \dots \dots \dots (2)$$

where

- T( $\psi$ ) = Transmission of glass at angle  $\psi$  to the normal of the window
- T(0) = Transmission at normal incidence
- Note: The Rivero approximation actually gives a slightly higher transmission value at normal incidence ( $\psi=0$ ) than the measured value, the reason for this is because it optimizes over all angles.

The sky component program does the integral over the product of equations (1), (2) and the cosine correction numerically. The logic of the program is made simpler by changing to a rectangular coordinate system  $\Omega, \phi$  (see Figure 2) so that the limits of the integral are independent and are given by:

$$\Omega = \tan^{-1}(\tan\theta\cos\phi)$$

which gives the following angular relationships;

$$\cos\theta = \cos\Omega \cos\phi/x^{1/2}$$

$$\sin\theta = \sin\Omega/x^{1/2}$$

$$\cos\psi = \cos\phi \sin\Omega/x^{1/2}$$

$$\sin \Psi = (\sin^2 \Omega + \cos^2 \phi (\cos^2 \Omega - \sin^2 \Omega))^{1/2} / x^{1/2}$$

$$d\theta = \cos \phi \, d\Omega / x; \quad d\theta = d\phi$$

where  $x = \cos^2 \Omega \cos^2 \phi + \sin^2 \Omega$  and  $-\frac{\pi}{2} < \phi < \frac{\pi}{2}$

The integral is derived from equations (1), (2) and the above angular relationships. The integral is given as follows:

$$SC = \frac{3.054T(0)}{7\pi} \int_{\Omega_i}^{\Omega_u} \int_{\phi_i}^{\phi_u} \left( \frac{\sin^2 \Omega \cos \Omega \cos^3 \phi}{x^{5/2}} \right) \left( 1 + \frac{2 \cos \phi \cos \Omega}{x^{1/2}} \right) \times \left( 1 + \left( \frac{\sin^2 \Omega + \cos^2 \phi (\cos^2 \Omega - \sin^2 \Omega)}{x} \right)^{3/2} \right) d\phi \, d\Omega \dots (3)$$

The limits of the integral are given by the angular coordinates of the four corners of the window. The integral over  $\phi$  is performed using the calculator's built in Simpson's rule integration routine (TI-59's Master Library Program 09). The integral over  $\Omega$  is performed by writing a separate Simpson's rule routine.

Clear Sky:

The clear sky component calculation for the clear sky has the same form as the overcast sky calculation except for the sky luminance function and its associated inputs. The clear sky luminance function that will be used is consistent with the function presently being considered by the CIE Technical Committee TC-4.2,<sup>7</sup> which is given by the following formula:

$$\frac{L(\theta)}{L(0)} = \frac{F_1}{F_2} \dots (4)$$

where

- $L(\theta)$  = Luminance of sky position at angle  $\theta$
- $L(0)$  = Luminance of the zenith
- $F_1 = (1 - e^{-0.32 \sec \theta}) (0.91 + 10e^{-3\theta} + 0.45 \cos^2 \theta)$
- $F_2 = 0.274 (0.91 + 10e^{-3\theta_s} + 0.45 \cos^2 \theta_s)$
- $\theta$  = Angle from the zenith to sky position
- $\theta_s$  = Angle from the zenith to the sun
- $\theta_s$  = Angle of the sun from  $L(\theta) = \cos^{-1}(\sin \theta \sin \theta_s \cos(\phi + \phi_w - \phi_s) + \cos \theta \cos \theta_s)$

In addition the sky component calculation for the clear sky requires added inputs:  $\theta_s$ , the angular zenith distance of the sun;  $\phi_s$ , the angular azimuthal distance of the sun from south;  $\phi_w$ , angular azimuthal distance of the window normal from south; and  $N_{sc}$ , normalization factor which is the illumination on a horizontal plane from the hemisphere (integral of equation (4) times the cosine correction over the hemisphere). This normalization factor has been integrated numerically and is documented in Table 1.

As in the overcast sky program the integration is done over a rectangular coordinate system by an integral derived from equations (2), (4) and the previously presented angular relationships. The integral is given as follows:

$$SC = \frac{1.018T(0)}{N_{sc}} \int_{\phi_1}^{\phi_2} \int_{\Omega_1}^{\Omega_2} \left( \frac{\sin^2 \Omega \cos \Omega \sin^3 \phi}{x^{5/2}} \right) \times$$

$$\left( 1 + \left( \frac{\sin^2 \Omega + \cos^2 \phi (\cos^2 \Omega - \sin^2 \Omega)}{x} \right)^{3/2} \right) \left( 1 - e^{-\frac{0.32 x^{1/2}}{\cos \Omega \cos \phi}} \right) \times$$

$$(0.91 + 10e^{-3\delta} + 0.45 \cos^2 \delta) d\phi d\Omega \dots \dots \dots (5)$$

where  $\delta = \cos^{-1} \left( \frac{1}{x^{1/2}} (\sin \Omega \sin \theta_s \cos(\phi + \phi_w - \phi_s) + \cos \Omega \cos \theta_s \cos \phi) \right)$

The limits of the integral are again given by the angular coordinates of the four corners of the window. The integral over  $\phi$  is performed using the calculator's built in Simpson's rule integration routine (TI-59's Master Library Program 09). The integral over  $\Omega$  is performed by writing a separate Simpson's rule routine.

THE EXTERNALLY REFLECTED COMPONENT

The externally reflected component is the ratio between the daylight illumination at a point in the interior which is received directly from external surfaces and the simultaneous exterior illumination available on

a horizontal surface from an unobstructed sky.

Overcast Sky:

The externally reflected component from an overcast sky can be determined by considering the external obstruction that is visible from the reference point as an effective sky component ( $SC_e$ ) whose luminance is some fraction of the sky that is obscured. The effective sky component for any obstruction is calculated by the Sky Component Program for the overcast sky, this value is then converted into the externally reflected component by correcting for the reduced luminance of the obstruction compared with the luminance of the sky. In cases where the obstruction is below  $20^\circ$ , its luminance is usually assumed to be one fifth that portion of the sky that is obscured. For such cases, the effective sky component of the obstruction is divided by 5, so that the ERC is:

$$ERC = \frac{SC_e}{5}$$

In cases where the obstruction is above  $20^\circ$ , its luminance is usually assumed to be one tenth that portion of the sky that is obscured. For such cases, the effective sky component of the obstruction is divided by 10, so that the ERC is:

$$ERC = \frac{SC_e}{10}$$

Clear Sky:

The externally reflected component from a clear sky has not yet been introduced into the programmable hand calculator procedure. However, horizontal shading devices can be modeled by assuming an effective window and neglecting the luminance of the under side of the device, which is usually

small. Work is in progress to extend the programmable hand calculator procedure to include the externally reflected component for more complex obstructions. The present procedure may be used with no loss in accuracy when there are no external obstructions visible from the reference point.

THE INTERNALLY REFLECTED COMPONENT

The internally reflected component is the ratio between the daylight illumination at a point in the interior which is received after being interreflected off interior surfaces and the simultaneous exterior illumination available on a horizontal surface from an unobstructed sky. Presently there are two approaches for calculating the internally reflected component, the split flux method and the more accurate finite difference method. The approach that will be used here is the split flux method, the simpler of the two.

The split flux method divides the light entering the room into two parts (see Figure 3), light received directly from the sky and that received directly from the ground. The light from the sky on entering the room is considered to be modified by the average reflectance of the floor and those parts of the walls below the mid-height of the window. The light from the ground is considered to be modified by the average reflectance of the ceiling and those parts of the walls above the mid-height of the window.

The formula for the average IRC is given as:<sup>8</sup>

$$IRC = \frac{T \times W}{A(1-R)} (f_s \cdot R_{fw} + f_g \cdot R_{cw}) \times 100\% \dots \dots \dots (6)$$

where

- T = Transmittance of glass
- W = Area of window
- A = Total area of ceiling, floor and walls including area of window
- R = Average reflectance of the ceiling, floor and all walls, including window
- R<sub>fw</sub> = Average reflectance of the floor and those parts of the walls,

below the plane of the mid-height of the window (excluding the window-wall)

$R_{cw}$  = Average reflectance of the ceiling and those parts of the walls, above the plane of the mid-height of the window (excluding the window-wall)

$f_s$  = Window factor due to the light incident on the window from sky

$f_g$  = Window factor due to the light incident on the window from ground

Overcast Sky:

The internally reflected component from an overcast sky is determined by equation (6). The various window (transmittance and area) and room (surface areas and reflectances for walls, ceiling and floor) conditions are determined from the design, while the window factors are determined as follows;  $f_s$  from Table 2 for various angles of obstructions, and  $f_g$  by multiplying the reflectances of ground surface ( $R_g$ ) by the ground configuration factor ( $G_{cf}$ ) which is always 0.5 for a horizontal ground plane. The various values are then entered into the IRC program which calculates the average internally reflected component for the entire room.

Clear Sky:

The internally reflected component from a clear sky is also determined by equation (6). However, because direct solar illumination is contributing illumination to the ground,  $f_s$  and  $f_g$  are calculated differently. The window factors for  $f_s$  have been precalculated and are documented in Table 3 for various window orientations and solar altitudes, while  $f_g$  is determined as follows:

$$f_g = \frac{(E_{sun} + E_{sky}) \times R_g \times G_{cf}}{E_{sky}} \dots \dots \dots (7)$$

where

$E_{sun}$  = Illumination from the sun (from Figure 37A in the Recommended Practice of Daylighting)

$E_{sky}$  = Illumination from the sky (from Figure 36B, C, or D in the Recommended Practice of Daylighting)

$R_g$  = Reflectance of ground plane  
 $G_{cf}$  = Ground configuration factor (for a horizontal surface this value is always 0.5)

The various values are then entered into the IRC program which calculates the average internally reflected component for the entire room.

#### THE TOTAL DAYLIGHT FACTOR

The total daylight factor is the sum of the sky component (SC), the externally reflected component (ERC) if present and the internally reflected component (IRC) programs. However, in order that the daylight factor be useful it needs to be converted into daylight illumination. This is accomplished by determining the exterior sky illumination incident on a horizontal surface, from Figures 36B, C, or D in the Recommended Practice of Daylighting<sup>2</sup> or some other daylight availability reference; this value is then multiplied by the daylight factor in order to get the interior daylight illumination.

#### VALIDATION OF PROPOSED PROCEDURE

Both the overcast and clear sky programmable hand calculator procedures have been validated against the Lumen II computer program. The Lumen II program was selected because it is well documented, has undergone extensive testing, and its daylighting features have been compared favorably to a series of physical model measurements.<sup>3</sup>

Figure 4 illustrates the 20'x20'x10' room with 6'x16' window 2.5' high that was used in both the overcast and clear sky examples. Within this room a 2.5'x2.5' grid (49 reference points) 2.5' high was selected for analyses. External and internal conditions were then established as criteria for these examples.

The external conditions for these examples assumed the following para-



meters.

Date: June 21  
Time: 8:20  
Area Condition: Rural  
Climate Condition: Temperate  
Sky Condition: Overcast and Clear  
Solar Altitude: 40°  
Solar Azimuth: 90°  
Window Orientation: 90° west of sun  
Illumination from sky on ground: 1268 footcandles from overcast sky,  
1374 footcandles from clear sky (Lumen II values)  
Illumination from sun on ground: 5192 footcandles for clear sky only  
(Lumen II value)  
Ground Reflectance: 20%  
Obstruction: None

The internal conditions for these examples assumed the following parameters.

Room Length: 20 feet  
Room Width: 20 feet  
Room Height: 10 feet  
Sill Height: 2.5 feet  
Ceiling Reflectance: 70%  
Wall Reflectance: 60%  
Floor Reflectance: 40%  
Glazing Type: Clear, 85% Transmittance

#### Overcast Sky:

The sky component program took approximately 5 minutes for data entry and another 60 minutes (1.2 minutes/reference point) to calculate the 49 reference points (It should be pointed out that for a room of this size, 4 to 9 reference points would be sufficient for daylighting analysis). However the designer does not need to be present for the calculation phase if a PC-100 printer is used. The results of the sky component program are presented in Table 4.

The externally reflected component was omitted because no obstructions are present.

The internally reflected component program took approximately 4 minutes for data entry and another minute to calculate the average IRC.

The daylight factor was then determined by adding the calculated internally reflected component of 2.6% to the 49 sky component values. Finally, the daylight factors are multiplied by the horizontal illumination available from an unobstructed overcast sky (1268 footcandles) in order to determine the daylight illumination incident on the reference points. The daylight illumination for the 49 reference points are presented in Table 5.

A Lumen II daylighting analysis was then performed utilizing the same parameters as was assumed in the programmable hand calculator procedure. The daylighting illumination for the 49 reference points are presented in Table 6.

The percent difference between the Programmable Hand Calculator Procedure and Lumen II were calculated and are presented in Table 7. From Table 7 it can be observed that except for the 7 reference points in the row along the window (which can be explained by the fact that Lumen II does not correct for angle of incidence losses), the Programmable Hand Calculator Procedure results are within  $\pm 5\%$  of Lumen II results. The difference between the averages is 3.4 footcandles, the ratio of the averages is .97, and the standard deviations for the Programmable Hand Calculator Procedure and Lumen II are 74.83 and 81.79 respectively. These results suggest a satisfactory correlation between the proposed procedure and Lumen II for this example.

#### Clear Sky:

The sky component program took approximately 5 minutes for data entry and another 150 minutes (3 minutes/reference point) to calculate the 49 reference points (Again it should be pointed out that for a room of this size, 4 to 9 reference points would be sufficient for daylighting analysis).

Again the designer does not need to be present for the calculation phase if a PC-100 printer is available. The results of the sky component program are presented in Table 8.

The externally reflected component was omitted because no obstructions are present.

The internally reflected component program took approximately 4 minutes for data entry and another minute to calculate the average IRC.

The daylight factor was determined by adding the calculated internally reflected component of 6.4% to the 49 sky component values presented in Table 8. Finally, the daylight factors are multiplied by the horizontal illumination available from an unobstructed clear sky (1374 footcandles) in order to determine the daylight illumination incident on the reference points. The daylight illumination for the 49 reference points are presented in Table 9.

A Lumen II daylighting analysis was then performed utilizing the same parameters as was assumed in the programmable hand calculator procedure. The daylighting illumination for the 49 reference points are presented in Table 10.

The percent difference between the Programmable Hand Calculator Procedure and Lumen II were calculated and are presented in Table 11. From Table 11 it can be observed that except for 8 reference points in the rear corner of the room and again for the reference points along the window the Programmable Hand Calculator Procedure results are within  $\pm 5\%$  of Lumen II results. The difference between the averages is 5.7 footcandles, the ratio of the averages is .97, and the standard deviations for the Programmable Hand Calculator Procedure and Lumen II are 72.10 and 78.30 respectively. Here again the results suggest a satisfactory correlation between the proposed procedure and Lumen II for this example.

An accurate, simple and relatively fast procedure for calculating daylight has been presented which links itself with internationally recommended practices. It is hoped that the application of this procedure will encourage the use of daylighting, as well as placing daylighting in a proper relationship to other design considerations. A lengthier version of this paper which includes a detailed program description, program listings, user instructions and several worked examples is available from the authors at: Windows and Daylighting Program, Lawrence Berkeley Laboratory, Building 90, Room 3111, Berkeley, California, 94720.

REFERENCES

1. U.S. Department of Energy, Office of Conservation and Solar Energy, "Energy Performance Standards for New Buildings; Proposed Rule, Part II," Federal Register, Vol. 44, No. 230, November 28, 1979, p. 68135.
2. IES Daylighting Committee, "Recommended Practice of Daylighting," LIGHTING DESIGN & APPLICATION, Vol. 9, No. 2, February 1979, p. 45-58.
3. DiLaura, D.L., and Hauser, G.A., "On Calculating the Effects of Daylighting in Interior Spaces," JOURNAL OF THE ILLUMINATING ENGINEERING SOCIETY, Vol. 8, No. 1, October 1978, p. 2.
4. CIE Technical Committee E-3.2, "Daylight: International Recommendations for the Calculation of Natural Daylight," CIE PUBLICATION No. 16, Commission Internationale de l'Eclairage, Paris, 1970, p. 48-79.
5. CIE Technical Committee E-3.2, "Natural Daylight: Official Recommendations," Commission Internationale de l'Eclairage, 13th Session, Paris, Vol. 2, 1955, p. II.
6. Rivero, R. "Iluminación Natural. Calculo del Factor de Dia Directo para Ventanas sin Vidrios y con Vidrios y para Cielos Uniformes y No Uniformes," Instituto de la Construcción de Edificios, Dpto. de Acondicionamiento, Facultad de Arquitectura, Montevideo, 1958.
7. CIE Technical Committee 4.2, "Standardization of Luminance Distribution on Clear Skies," CIE PUBLICATION No. 22, Commission Internationale de l'Eclairage, Paris, 1973, p. 7.
8. Hopkinson, R.G., Longmore, J., and Petherbridge, P., "An Empirical Formula for the Computation of the Indirect Component of the Daylight Factor," TRANSACTIONS OF THE ILLUMINATING ENGINEERING SOCIETY, London, Vol. 19, 1954, p. 201.

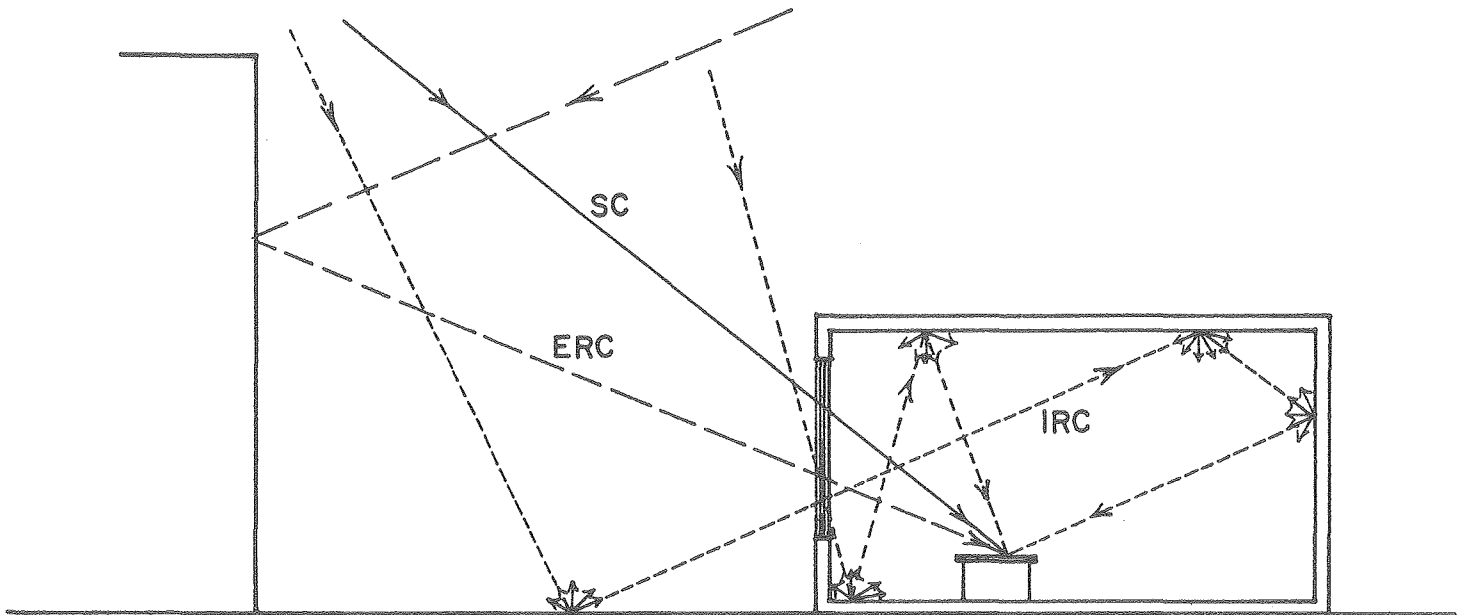


Figure 1. Components of the daylight factor

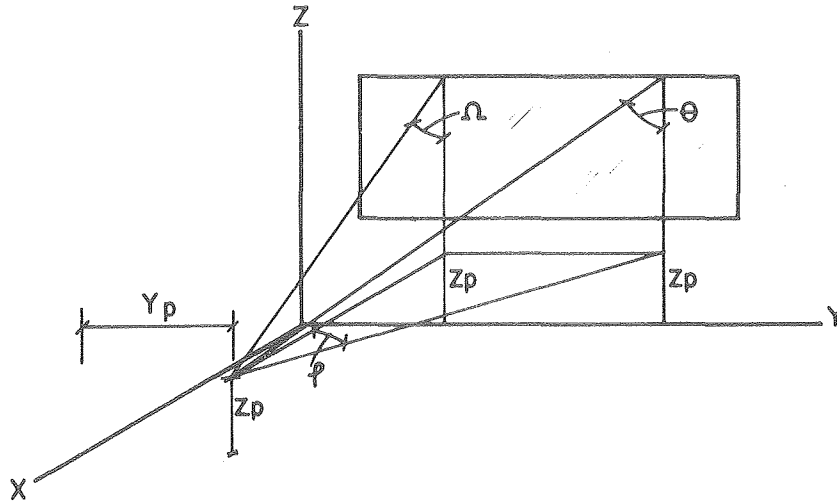


Figure 2. Angular coordinate system of window

Normalization Factors

Solar Altitude	$N_{sc}$
10°	.03654
20°	.03565
30°	.03235
40°	.02741
50°	.02178
60°	.01632
70°	.01159
80°	.00782
90°	.00503



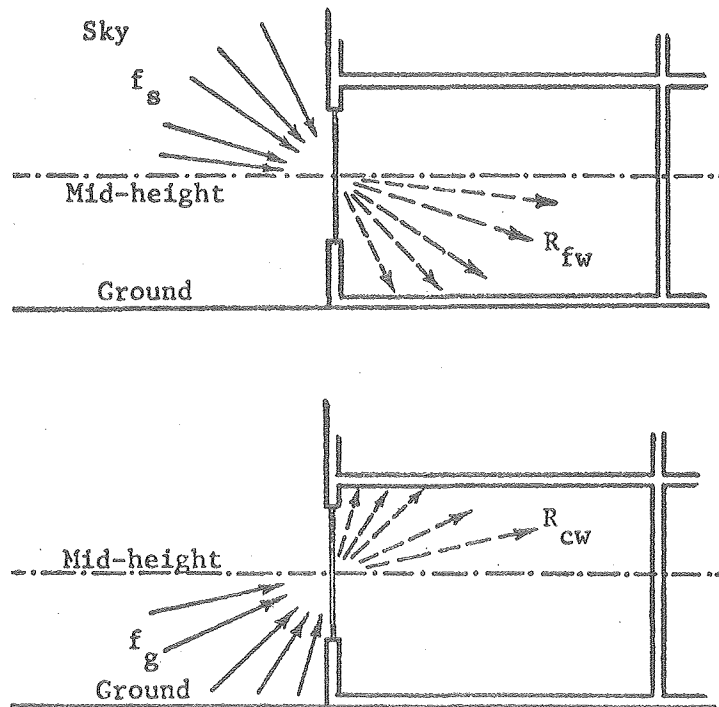


Figure 3. Conceptual illustration of the split flux method

Table 2.

Angle of obstruction measured from center of window	$f_s$
no obstruction	.39
10°	.35
20°	.31
30°	.25
40°	.20
50°	.14
60°	.10
70°	.07
80°	.05

-20-  
Table 3.

$f_s$  for Clear Sky

Solar Altitude	Window Azimuth from Sun				
	0°	45°	90°	135°	180°
10°	.68	.65	.50	.35	.32
20°	.72	.67	.50	.33	.28
30°	.73	.70	.50	.30	.27
40°	.74	.69	.50	.31	.26
50°	.73	.68	.50	.32	.27
60°	.70	.66	.50	.34	.30
70°	.66	.62	.50	.38	.34
80°	.59	.56	.50	.44	.41
90°	.50	.50	.50	.50	.50

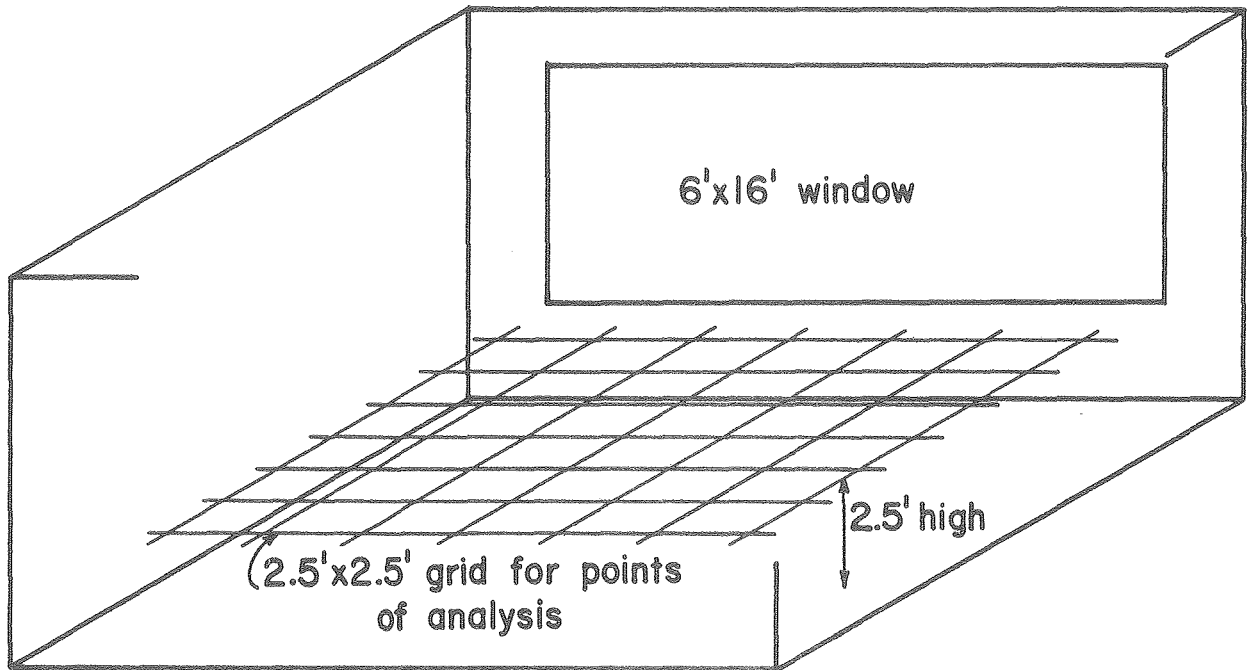


Figure 4. Typical room arrangement

Table 4.

\*\*\*\*\*  
PROGRAMMABLE HAND CALCULATOR PROCEDURE  
\*\*\*\*\*

SKY COMPONENT FOR OVERCAST SKY  
-----

WORKING PLANE HEIGHT: 2.50

ABS. Y COOR.	ABSOLUTE X-COORDINATE(S)						
	2.5	5.0	7.5	10.0	12.5	15.0	17.5
*****							
17.5 *	.6	.6	.7	.7	.7	.6	.6
15.0 *	.8	.9	1.0	1.1	1.0	.9	.8
12.5 *	1.2	1.5	1.7	1.7	1.7	1.5	1.2
10.0 *	2.0	2.5	2.9	3.0	2.9	2.5	2.0
7.5 *	3.5	4.7	5.4	5.6	5.4	4.7	3.5
5.0 *	6.5	9.3	10.6	10.9	10.6	9.3	6.5
2.5 *	12.3	18.5	20.0	20.2	20.0	18.5	12.3

Table 5.

\*\*\*\*\*  
PROGRAMMABLE HAND CALCULATOR PROCEDURE  
\*\*\*\*\*

ILLUMINATION FOR OVERCAST SKY  
-----

WORKING PLANE HEIGHT: 2.50

AVERAGE: 99.6      MINIMUM: 40.6      MAXIMUM: 289.1

STANDARD DEVIATION: 74.83

ABS. Y      ABSOLUTE X-COORDINATE(S)  
COOR.      2.5   5.0   7.5   10.0   12.5   15.0   17.5

\*\*\*\*\*

17.5 \* 40.6 40.6 41.8 41.8 41.8 40.6 40.6

15.0 \* 43.1 44.4 45.6 46.9 45.6 44.4 43.1

12.5 \* 48.2 52.0 54.5 54.5 54.5 52.0 48.2

10.0 \* 58.3 64.7 69.7 71.0 69.7 64.7 58.3

7.5 \* 77.3 92.6 101.4 104.0 101.4 92.6 77.3

5.0 \* 115.4 150.9 167.4 171.2 167.4 150.9 115.4

2.5 \* 188.9 267.5 286.6 289.1 286.6 267.5 188.9

Table 6.

\*\*\*\*\*  
LUMEN II DAYLIGHTING ANALYSIS  
\*\*\*\*\*

ILLUMINATION FOR OVERCAST SKY  
-----

WORKING PLANE HEIGHT: 2.50

AVERAGE: 103.0      MINIMUM: 42.0      MAXIMUM: 317.9

STANDARD DEVIATION: 81.79

ABS. Y      ABSOLUTE X-COORDINATE(S)  
COOR.      2.5    5.0    7.5    10.0    12.5    15.0    17.5

\*\*\*\*\*

17.5 \* 42.1 42.4 42.0 42.9 42.7 42.4 42.4

15.0 \* 44.8 46.3 46.1 47.2 46.9 46.5 44.8

12.5 \* 49.6 52.3 53.3 54.7 54.3 52.3 49.6

10.0 \* 58.9 65.0 67.9 70.5 68.8 65.0 58.9

7.5 \* 76.9 90.7 98.1 101.5 98.9 90.7 76.9

5.0 \* 116.4 150.4 165.9 171.1 166.7 150.4 116.4

2.5 \* 205.2 290.2 312.6 317.9 313.3 290.2 205.1

Table 7.

\*\*\*\*\*  
PERCENT DIFFERENCE BETWEEN PROPOSED PROCEDURE AND LUMEN II  
\*\*\*\*\*

FOR OVERCAST SKY

$$\text{PERCENT DIFFERENCE} = \frac{\text{PROPOSED PROCEDURE} - \text{LUMEN II}}{\text{LUMEN II}} \times 100\%$$

ABS. Y      ABSOLUTE X-COORDINATE(S)  
COOR.      2.5   5.0   7.5   10.0   12.5   15.0   17.5

\*\*\*\*\*

17.5 \*   -3.6   -4.2   -0.5   -2.6   -2.1   -4.2   -4.2

15.0 \*   -3.8   -4.1   -1.1   -0.6   -2.8   -4.5   -3.8

12.5 \*   -2.8   -0.6   +2.3   -0.4   +0.4   -0.6   -2.8

10.0 \*   -1.0   -0.5   +2.7   +0.7   +1.3   -0.5   -1.0

7.5 \*   +0.5   +2.1   +3.4   +2.5   +2.5   +1.9   +0.5

5.0 \*   -0.9   +0.3   +0.9   +0.1   +0.4   +0.3   -0.9

2.5 \*   -7.9   -7.8   -8.3   -9.1   -8.5   -7.8   -7.9



Table 8.

\*\*\*\*\*  
PROGRAMMABLE HAND CALCULATOR PROCEDURE  
\*\*\*\*\*

SKY COMPONENT FOR CLEAR SKY  
-----

WORKING PLANE HEIGHT: 2.50

ABS. Y      ABSOLUTE X-COORDINATE(S)  
COOR.      2.5   5.0   7.5   10.0   12.5   15.0   17.5

\*\*\*\*\*

17.5 *	1.1	1.1	1.2	1.1	1.1	1.0	0.9
15.0 *	1.5	1.6	1.7	1.6	1.5	1.3	1.1
12.5 *	2.2	2.4	2.5	2.4	2.2	1.9	1.6
10.0 *	3.3	3.7	3.9	3.8	3.4	2.9	2.2
7.5 *	5.2	6.1	6.4	6.3	5.7	4.6	3.3
5.0 *	8.7	10.5	11.2	11.0	10.0	7.9	5.1
2.5 *	14.8	18.1	18.6	18.5	17.6	14.8	8.0

Table 9.

\*\*\*\*\*  
 PROGRAMMABLE HAND CALCULATOR PROCEDURE  
 \*\*\*\*\*

ILLUMINATION FOR CLEAR SKY  
 -----

WORKING PLANE HEIGHT: 2.50

AVERAGE: 163.3      MINIMUM: 100.3      MAXIMUM: 343.5

STANDARD DEVIATION: 72.10

ABS. Y	ABSOLUTE X-COORDINATE(S)						
COOR.	2.5	5.0	7.5	10.0	12.5	15.0	17.5

\*\*\*\*\*

17.5 \* 103.1 103.1 104.4 103.1 103.1 101.7 100.3

15.0 \* 108.5 109.9 111.3 109.9 108.5 105.8 103.1

12.5 \* 118.2 120.9 122.3 120.9 118.2 114.0 109.9

10.0 \* 133.3 138.8 141.5 140.1 134.7 127.8 118.2

7.5 \* 159.4 171.8 175.9 174.5 166.3 151.1 133.3

5.0 \* 207.5 232.2 241.8 239.1 225.3 196.5 158.0

2.5 \* 291.3 336.6 343.5 342.1 329.8 291.3 197.9

Table 10.

\*\*\*\*\*  
 LUMEN II DAYLIGHTING ANALYSIS  
 \*\*\*\*\*

ILLUMINATION FOR CLEAR SKY  
 -----

WORKING PLANE HEIGHT: 2.50

AVERAGE: 169.0      MINIMUM: 105.3      MAXIMUM: 379.3

STANDARD DEVIATION: 78.30

ABS. Y	ABSOLUTE X-COORDINATE(S)						
COOR.	2.5	5.0	7.5	10.0	12.5	15.0	17.5

\*\*\*\*\*

17.5 \* 111.3 111.1 107.8 108.8 107.6 105.8 105.3

15.0 \* 118.7 117.1 114.4 115.4 113.5 111.6 107.8

12.5 \* 127.2 127.7 123.0 124.6 122.0 117.3 112.6

10.0 \* 141.6 144.5 141.6 141.2 136.6 128.9 120.7

7.5 \* 166.1 173.9 172.9 171.9 161.8 148.3 132.3

5.0 \* 215.9 235.3 239.2 236.6 220.0 189.7 154.3

2.5 \* 322.2 371.2 379.3 376.0 353.2 297.2 196.6

Table 11.

\*\*\*\*\*  
PERCENT DIFFERENCE BETWEEN PROPOSED PROCEDURE AND LUMEN II  
\*\*\*\*\*

FOR CLEAR SKY  
-----

$$\text{PERCENT DIFFERENCE} = \frac{\text{PROPOSED PROCEDURE} - \text{LUMEN II}}{\text{LUMEN II}} \times 100\%$$

ABS. Y      ABSOLUTE X-COORDINATE(S)  
COOR.      2.5   5.0   7.5   10.0   12.5   15.0   17.5

\*\*\*\*\*

17.5 \*   -7.4   -7.2   -3.2   -5.2   -4.2   -3.9   -4.7

15.0 \*   -8.6   -6.1   -2.7   -4.8   -4.4   -5.2   -4.4

12.5 \*   -7.1   -5.3   -0.6   -3.0   -3.1   -2.8   -2.4

10.0 \*   -5.9   -3.9   -0.1   -0.8   -1.4   -0.9   -2.1

7.5 \*   -4.0   -1.2   +1.7   +1.5   +2.8   +1.9   +0.8

5.0 \*   -3.9   -1.3   +1.1   +1.1   +2.4   +3.6   +2.4

2.5 \*   -9.6   -9.3   -9.4   -9.0   -6.6   -2.0   +0.7

