

# UC Santa Barbara

## UC Santa Barbara Previously Published Works

### Title

Dynamic model for multireservoir operation

### Permalink

<https://escholarship.org/uc/item/0b51t823>

### Journal

Water Resources Research, 21(5)

### ISSN

0043-1397

### Authors

Marino, Miguel A

Loaiciga, Hugo A

### Publication Date

1985-05-01

### DOI

10.1029/wr021i005p00619

Peer reviewed

# Dynamic Model for Multireservoir Operation

MIGUEL A. MARIÑO AND HUGO A. LOAICIGA

*Department of Land, Air, and Water Resources and Department of Civil Engineering  
University of California, Davis*

This paper presents a methodology to obtain optimal reservoir operation policies for a large-scale reservoir system. The model yields medium-term (one-year-ahead) optimal release policies that allow the planning of activities within the current water year, with the possibility of updating preplanned activities to account for uncertain events that affect the state of the system. River flows are characterized as a multivariate autoregressive process and are forecasted using maximum likelihood estimators. The solution method is a sequential dynamic decomposition algorithm that keeps computational requirements and dimensionality problems at low levels. The model maximizes the system annual energy generation while satisfying constraints imposed on the operation of the reservoir network. Several alternative versions of the model are also presented, which can be used under different assumptions. The model is applied to a large-scale multireservoir system, the northern portion of the California Central Valley Project. The optimal release policies show a potential increase in the system total annual energy with respect to heuristic schedules currently in use.

## INTRODUCTION

Reservoir operation is a multistage dynamic stochastic control problem. The key to successful implementation of any model rests on the ability to take advantage of system features that lead to simpler mathematical models and of the proper choice of solution algorithms that overcome dimensionality problems and are numerically stable. In the water resources literature, several approaches to reservoir operation have appeared since the mid-1960's. Previous work can be classified as either deterministic or stochastic, although the mixed nature of some methods may result in an arbitrary classification.

Concerning deterministic models, dynamic programming (DP) or some algorithms based on it have been used extensively in reservoir operation models. *Hall et al.* [1969], *Heidari et al.* [1971], *Fults and Hancock* [1972], and *Fults et al.* [1976] presented applications of state increment dynamic programming (SIDP). *Larson and Keckler* [1969], *Larson and Korsak* [1970], *Yeh et al.* [1978], and *Turgeon* [1982] provided applications of dynamic programming successive approximations (DPSA). *Liu and Tedrow* [1973] applied DP to reservoir operation. *Becker and Yeh* [1974] and *Yeh and Becker* [1982] gave examples of linear programming (LP)-DP models. *Murray and Yakowitz* [1979] utilized differential dynamic programming (DDP). *Turgeon* [1981] applied the progressive optimality algorithm (POA). *Hicks et al.* [1974] presented a large-scale nonlinear programming (NLP) model. *Yazicigil et al.* [1983] solved a reservoir operation problem by using LP.

In the stochastic environment, *ReVelle et al.* [1969] applied chance constraints (CC) in conjunction with the linear decision rule (LDR). Many papers in the 1970's exploited the CC-LDR or some modifications of it to reservoir design and management problems. *Takeuchi and Moreau* [1974] and *Bras et al.* [1983] presented applications of stochastic dynamic programming (SDP). *Colorni and Fronza* [1976], *Simonovic and Mariño* [1982], and *Mariño and Mohammadi* [1983] reported applications of reliability programming (RP). The review of deterministic and stochastic methods in reservoir operation given above does not pretend to have mentioned all the interesting publications on the subject, but rather, references

those papers more closely related to the model presented herein.

Previous research on reservoir operation models point out two main difficulties associated with the computation of release schedules for multiunit systems. First, the decision space is usually vast (dimensionality) and, second, the incorporation of the stochastic nature of some elements (mainly inflows) introduces statistical complexities. Effective reservoir operation requires detail (i.e., that release schedules be computed for each reservoir) and validity (i.e., that policies be consistent with the actual realization of uncertain events) of any proposed release schedule. This paper develops an optimization model to compute release policies for large-scale reservoir systems. The model yields policies for every component of the network and keeps these policies up to date with the actual realization of streamflows, thus providing detailed and valid operation policies. The remainder of this paper contains a system and problem description, a formulation of several alternative models, and an application of one of the models to the northern portion of the California Central Valley Project (NCVP). A set of conclusions summarizes the findings of this work.

## SYSTEM AND PROBLEM DESCRIPTION

The system under analysis is composed of the following reservoirs: (1) Clair Engle, (2) Lewiston, (3) Whiskeytown, (4) Shasta, (5) Keswick, (6) Folsom, (7) Natoma, (8) New Melones, and (9) Tullock. Figure 1 shows a schematic representation of the NCVP system and the points at which accretions and/or diversions occur. The NCVP is managed jointly by the U.S. Bureau of Reclamation (USBR) and the California Department of Water Resources. The main purposes of the NCVP are provision of water for irrigation (I), municipal and industrial uses (MI), environmental control and enhancement (E), fish and wildlife requirements (F), river navigation (N), water quality control (WQ), flood regulation (FC), hydropower (HP), recreation (R), and control of ocean intrusion and erosion.

Table 1 shows basic data for the NCVP system. The system release policy is subject to physical and technical constraints that arise from the capacity and technological features of the facilities, as well as institutional and environmental regulations. *Mariño and Loaiciga* [1983] provided a detailed quanti-

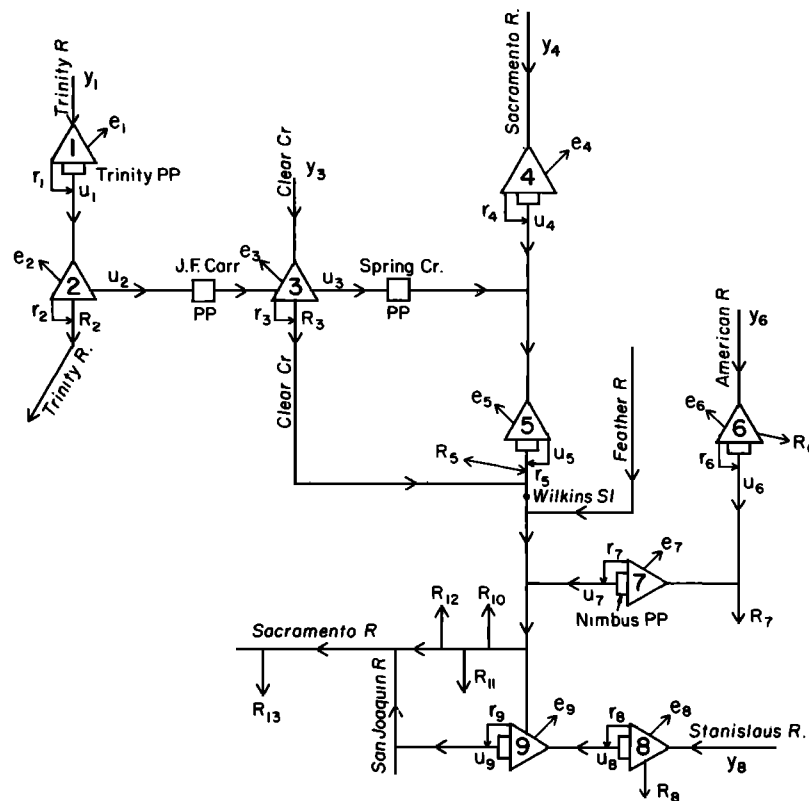


Fig. 1. Schematic representation of NCVP diversions ( $R$ ), net losses ( $e$ ), releases through penstocks ( $u$ ), spills ( $r$ ), and streamflows ( $y$ ).

tative description of constraints imposed on the operation of the NCVP system that arise from the existence of the multiple functions outlined earlier. One of the important constraints imposed on the NCVP operation arises from flood control regulations. The flood control pool of the reservoirs is governed by regulations established by the U.S. Corps of Engineers. Those regulations stipulate that a certain amount of space be held empty in a reservoir during October 1 to May 31. Typical flood regulations are described by charts as the one shown in Figure 2 for New Melones reservoir. Similar time-dependent flood control regulations exist for Clair Engle, Shasta, and Folsom reservoirs. Such regulations do not exist

for the other reservoirs in the system. Other unique considerations affecting the NCVP system operation are related to the need of extensive fishery operations and salinity control requirements at the Sacramento-San Joaquin Delta.

The total power output of the system is delivered mostly to Pacific Gas and Electricity (a public utility), which uses it as peaking capacity to satisfy its power demand. The dependable capacity of the system (the power generation which under the "most adverse" flow conditions of record can be relied upon to its share of the power load) has been established at 860 MW.

The longest-term operation activities of the NCVP are planned for each water year. On October 1, the USBR esti-

TABLE 1. Basic NCVP Data

Reservoir	Managing Institution	First Year of Operation	Capacity, KAF	Installed Capacity,* MW	Functions Served
Shasta	USBR	1944	4552.0	559	I, FC, HP, MI, WQ, N, R, F
Clair Engle	USBR	1960	2448.0	128	I, FC, HP, MI, WQ, N, R, F
Lewiston	USBR	1962	14.7	...	Regulation, HP, F, R
Whiskeytown	USBR	1963	241.0	154	Regulation, I, HP, MI, R, F
				(J. F. Carr)	
				190	
				(Spring Creek)	
Keswick	USBR	1948	23.8	90	Regulation, HP, R, F
Folsom	USBR	1955	1010.0	198	I, FC, HP, MI, WQ, R, F
Natoma	USBR	1955	8.8	15	Regulation, HP, R, F
New Melones	USBR	1978	2600.0	383	I, WQ, FC, F, HP, R
Tulloch	Oakdale Irrigation District	1958	67.0	17	I, HP, Regulation

1 KAF =  $1.233 \times 10^6$  m<sup>3</sup>. Functions are discussed in text.

\*Indicates data as of July 1982.

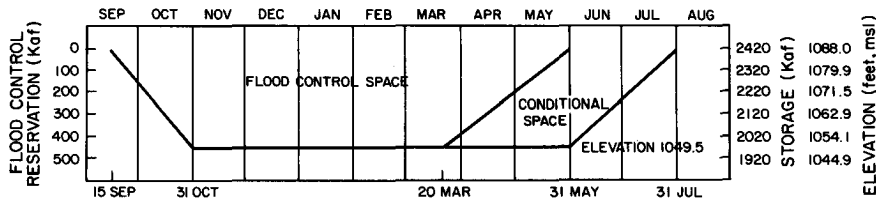


Fig. 2. New Melones flood control diagram (Central Valley Operations Office, U.S. Bureau of Reclamation, Sacramento, California).

mates future streamflows for the next 12 months. Based on that forecast, a tentative release policy is proposed for the 12-month period. Because actual streamflows deviate from their expected values and institutional and/or technical conditions may vary from month to month, streamflow forecasts are updated at the beginning of each month, and the release policy is revised for the remaining months of the year. The proposed optimization model of the NCVF system is developed to fit this recurrent scheme for release policies. The updating scheme takes into consideration the most recent streamflow information and the actual system storage evolution.

By far, the stochasticity of flows is the major source for needing to adjust previous policies. The quality of release policies, computed at the beginning of each month and followed strictly for the current month only, depends on the accuracy of the streamflow forecasts. H. A. Loaiciga and M. A. Mariño (unpublished manuscript, 1982) developed a multivariate autoregressive (AR) streamflow forecasting technique that takes into account the cross correlations between different streamflow stations and permits the introduction of multiple lags in the AR process. They estimated the AR parameters via maximum likelihood and utilized the estimated AR process for recursive streamflow forecasting. Their approach permits statistical testing of the order of the AR process as well as of some of the assumptions on the noise term and of the time invariance properties of the AR parameters. The application of the AR forecasting technique to the rivers of the NCVF system yielded accurate monthly flow estimates that ranged between  $\pm 10\%$  from actual observed values.

The updating scheme utilized in this study consists of a sequential solution of deterministic problems in which reforecasted flows enter in the formulation of each new problem, and initial storages are set equal to the actual values at every beginning of month. Such an updating scheme has been successfully applied in control engineering and is usually referred to as the certainty-equivalence controller (CEC) or under some circumstances as open-loop feedback controller [Bertsekas, 1976]. The solution of each (consecutive) problem can be obtained by deterministic optimal control or mathematical programming. For this study it is sufficient to point out that the adopted CEC is quasi-adaptive, i.e., if the value of the objective function achieved by applying a completely deterministic control is denoted by  $J^0$ , the value obtained by the CEC as  $J^1$ , and that for the true (unknown) optimal control as  $J^*$ , then (under maximization)  $J^* \geq J^1 \geq J^0$  [Bertsekas, 1976, p. 199]. This inequality indicates that the use of the CEC control scheme would result in a performance that is at least as good as if a purely deterministic control were used (say, DPSA or SIDP).

FORMULATION OF ALTERNATIVE OPTIMIZATION MODELS

To adopt a 1-year planning horizon with monthly decisions, the following variables are defined

where

- $u_t$ ,  $n$ -dimensional decision vector of penstock releases at the beginning of month  $t$ ; its components are  $u_t^i$ , where  $i$  refers to the  $i$ th reservoir;
- $r_t$ ,  $n$ -dimensional decision vector of spillages at the beginning of month  $t$ ; its components are  $r_t^i$ ;
- $x_t$ ,  $n$ -dimensional state vector of storages at the beginning of month  $t$ ; its components are  $x_t^i$ .

The time index  $t$  goes from  $t = 1$  to  $t = N + 1 = 13$ , and  $n$  is the number of reservoirs in the system. Figure 3 shows the relationship between the time index  $t$  and the vectors  $x_t$ ,  $u_t$ , and  $r_t$ . The objective is to compute decision policies  $\{u_t^*\}$  and  $\{r_t^*\}$  and their corresponding trajectory  $\{x_t^*\}$ . It is important to notice the existence of more decisions ( $u_t$  and  $r_t$ ) than states ( $x_t$ ), and this fact must be considered in the solution algorithm. In the application of this paper, some simplifying assumptions are made to overcome such difficulty. Mariño and Loaiciga [this issue], in a generalized version of the method proposed herein, have shown that the difficulty can also be handled via restrictions on the spillages.

Mariño and Loaiciga [1983] made a comparative study of algorithms such as DPSA, SIDP, DP, LP, NLP, DDP, and the POA and concluded that for the NCVF system the POA [Howson and Sancho, 1975] had several attractive features well suited for the sequential optimization scheme. The reader is referred to the original work by Howson and Sancho [1975] or that by Turgeon [1981] for elaborated descriptions of the POA. The description of the POA is limited to the essentials necessary to make this work sufficiently self-contained. An algorithmic modification of the POA that has resulted in the improvement of its convergence rate (which has been reported as low by Turgeon [1981]) is presented in this paper. It must be emphasized that the POA is a modification of DP and its validity rests on the principle of optimality, and hence the POA is not applicable in control problems where such principle does not hold (as is the case in differential games).

The solution algorithm (POA) consists of the sequential solution of two-stage problems. Figure 4 illustrates the solution process for the first 3 months during the  $k$ th iteration. The first two-stage problem involves months 1 and 2. The beginning and ending storage vectors,  $x_1$  and  $x_{13}$ , respectively, are fixed (the application below discusses the choice of  $x_{13}$ ). To solve the first two-stage problem, the current value of  $x_3^{(k)}$  is held fixed, and the optimization is carried out with respect to  $x_2$  to obtain  $x_2^*$ , which, in turn, becomes the  $(k + 1)$ th

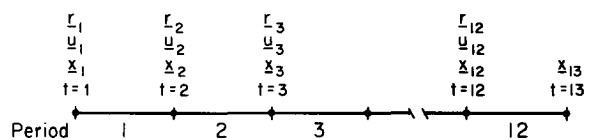


Fig. 3. Relation between  $t$  and vectors  $x_t$ ,  $u_t$ , and  $r_t$ .



tions by satisfying contractual agreements or specified storages and releases ranges (e.g., for recreational or fisheries needs). Therefore the multiple functions of the NCVP system can be handled by obtaining a release schedule that maximizes energy while providing adequate service for other purposes via constraints on releases and storages.

The energy generated at reservoir  $i$  during month  $t$  (in megawatt-hours, MWh) is

$$E_t^i = \psi_t \xi_t^i u_t^i = \psi_t [\hat{a}^i + \hat{b}^i(x_t^i + x_{t+1}^i)] u_t^i = [a^i + b^i(x_t^i + x_{t+1}^i)] u_t^i \tag{8}$$

in which  $\xi_t^i$  is the linear energy rate in MWh/kilo acre feet (KAF) (1 KAF =  $1.233 \times 10^6$  m<sup>3</sup>);  $u_t^i$  is the penstock release from reservoir  $i$  during month  $t$ ; and  $\hat{a}^i$  and  $\hat{b}^i$  are coefficients determined from energy generation records by multiple regression [Mariño and Loaiciga, 1983];  $\psi_t$  is the estimated fraction of time that power plants are normally on-line for month  $t$  and set constant at a level of  $\psi_t = \psi = 0.85$  (George Link, USBR, personal communication, 1982). The coefficients  $a^i$  and  $b^i$  are equal to  $\hat{a}_i \psi$  and  $\hat{b}_i \psi$ , respectively. The energy generation rates  $\xi_t^i$  have been found to provide accurate energy production estimates, within  $\pm 2\%$  of actual values for given average storages and releases. The basis for deriving the  $\xi_t^i$  equations are well analyzed performance data of the power plants, of which an example is given in Figure 6. The  $\xi_t^i$  equations are fits to curves like that shown in Figure 6 for each power plant. The accuracy of predictions by the  $\xi_t^i$  rates shows that for planning studies it is quite adequate to utilize equations like (8) to estimate power production.

For the whole system the total energy generated during any month  $t$  can be expressed as

$$E_t = [a + B(x_t + x_{t+1})]^T u_t \tag{9}$$

in which  $a^T$  contains the constant terms  $a^i$  in (8);  $B$  is a diagonal matrix whose (diagonal) terms are the  $b^i$ 's in (8), and  $u_t$  is a nine-dimensional vector of penstock releases. A similar expression can be written for month  $t - 1$ .

Recalling that the POA maximizes a sequence of two-stage problems, i.e., maximize  $E_{t-1} + E_t$  for  $t = 2, 3, \dots, 12$  subject to a set of constraints, it follows that the two-stage objective function is

$$E_{t-1} + E_t = [a + B(x_{t-1} + x_t)]^T u_{t-1} + [a + B(x_t + x_{t+1})]^T u_t \tag{10}$$

Also, from (6),

$$u_t = -\Gamma_1^{-1} \Gamma_2 r_t + \Gamma_1^{-1} A_{t+1} x_{t+1} - \Gamma_1^{-1} B_t x_t - \Gamma_1^{-1} v_t = -\Gamma r_t + C_{t+1} x_{t+1} - D_t x_t - F v_t \tag{11}$$

A similar expression can be developed for  $u_{t-1}$ . Substitution of the expressions for  $u_{t-1}$  and  $u_t$  into (10) yields

$$E_{t-1} + E_t = q_t^T r_t + p_t^T r_{t-1} + g_t^T x_t - x_t^T B \Gamma r_t - x_t^T B \Gamma r_{t-1} + x_t^T G_t x_t + k_t \tag{12}$$

in which the vectors  $q_t, p_t, g_t$ , the matrix  $G_t$ , and the scalar term  $k_t$  are uniquely defined from the terms in (10) and (11), and whose lengthy algebraic expressions have been omitted to save space. By defining the augmented vector

$$\theta_t^T = [x_t, r_t, r_{t-1}]^T \tag{13}$$

(12) can now be rewritten as (deleting the term  $k_t$ )

$$E_{t-1} + E_t = \theta_t^T H_t^1 \theta_t + s_t^T \theta_t \tag{14}$$

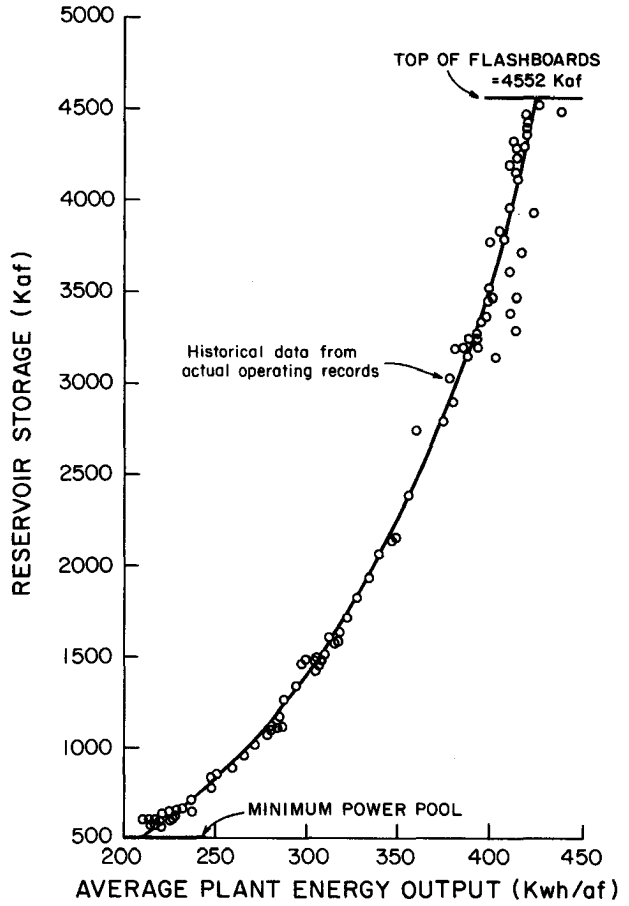


Fig. 6. Shasta power plant gross generation curve.

in which

$$s_t^T = [g_t^T, q_t^T, p_t^T] \tag{15}$$

and

$$H_t^1 = \frac{1}{2} \begin{bmatrix} G_t + G_t^T & -B\Gamma & -B\Gamma \\ -\Gamma^T B & 0 & 0 \\ -\Gamma^T B & 0 & 0 \end{bmatrix} \tag{16}$$

where 0 is a  $9 \times 9$  null matrix. Notice that the continuity equation was used in developing (14), and thus it will not appear as a constraint in the constraint set associated with (14).

By using (11) to express  $u_t$  for any period  $t$  and using the augmented vector  $\theta_t$ , the constraint set associated with (14) for month  $t$  consists of the following constraints.

Constraints on total releases,  $u_t + r_t$ ,

$$C_{t+1} x_{t+1} + [-D_t, (-\Gamma + I), 0] \theta_t - F v_t \in W_t \tag{17}$$

where  $W_t$  is a feasible set for  $u_t + r_t$  (and 0 and  $I$  are the  $9 \times 9$  null and identity matrices, respectively).

Water requirements (arising from any of the system functions) at any control point can be expressed as a linear combination of total releases,

$$c^T C_{t+1} x_{t+1} + c^T [-D_t, (-\Gamma + I), 0] \theta_t - c^T F v_t \in D e_t \tag{18}$$

where  $c^T$  is the appropriate linear combination vector, and  $D e_t$  is a set of feasible values for water requirements.

Constraints on penstock releases,

$$[-D_r, -\Gamma, 0]\theta_t + C_{t+1}x_{t+1} - Fv_t \in U_t \quad (19)$$

where  $U_t$  is a feasible set.

Spillage constraints imply

$$[0, I, 0]\theta_t \in R_t \quad (20)$$

in which  $R_t$  is a feasible set.

Constraints on storages imply

$$[I, 0, 0]\theta_t \in X_t \quad (21)$$

where  $X_t$  is a feasible set.

The appropriate constraints for month  $t - 1$  are obtained in a similar manner. All the constraints are linear, and constraints on power generation, which are of a complicated non-linear form, have been avoided because they are implicitly considered by the energy rate equations introduced in (8). The two-stage problem for any  $t$  ( $t = 2, 3, \dots, 12$ ) can be expressed as a quadratic linearly constrained problem (QP), namely,

$$\underset{\theta_t}{\text{maximize}} \quad \theta_t^T H_t \theta_t + s_t^T \theta_t \quad (22)$$

subject to

$$A_t \theta_t \leq b_t \quad (23)$$

$$[I, 0, 0]\theta_{t-1} \quad [I, 0, 0]\theta_{t+1} \text{ fixed}$$

where the matrix  $A_t$  and the vector  $b_t$  contain as their row components all the (linear) constraints detailed above (for month  $t$  and  $t - 1$ ). For the NCPV system,  $A_t$  and  $b_t$  are of dimensions  $92 \times 27$  and  $92 \times 1$ , respectively [Mariño and Loaiciga, 1983]. The solution of (22)–(23) can be approached by Fletcher's [1981] active set method, which consists of finding an initial feasible vertex, and then work in a series of consecutive active (or binding) set of constraints. The active set method has been modified by Gill and Murray [1977] to handle indefinite Hessian matrices in a numerically stable manner, and in this regard is the only quadratic programming algorithm recommended to solve (22)–(23) [Mariño and Loaiciga, this issue].

There are two ways of reducing the dimensionality of (22)–(23): (1) to introduce assumptions on net losses and/or spillages as done below or (2) via equality constraints on spillages, as is shown in the work by Mariño and Loaiciga [this issue]. It has been found both in the application of this paper, and in that given in the preceding reference by the authors, that it is highly advantageous to recourse to simplifications 1 or 2, as adequate in a given application, in order to simplify the solution of the two-stage problems.

It is possible to reduce the computational work by introducing assumptions on net losses and/or spillages (simplification 1 above). In many practical cases, net losses can be ignored, which implies that the matrices  $A_{t+1}$  and  $B_t$  in (6) can be set equal to the identity matrix. Simplification 1 requires the continuity equation (7) to have stationary parameters, i.e.,

$$x_{t+1} = x_t + \Gamma_1 u_t + \Gamma_2 r_t + v_t \quad (24)$$

By using (24), the quadratic objective function of the model becomes linear, as will be shown later.

The second assumption relates to spillages. Spillages can be assumed to be zero whenever reservoir storage is below the spillway crest. This assumption is valid for average (normal) and below-average (dry) inflow years, as is shown in the application section. For above-average (wet) inflow years, spillages

will occur. This is because inflows will exceed penstock releases and spillages must take place to avoid dam overtopping. Under this (second) assumption, spillages can be handled by maximizing the objective function with respect to  $u_t$ . When  $u_t$  reaches its upper bound (determined by the constraint set), the value of  $u_t$  is set equal to that upper bound (in our case, penstock capacity). Any excess release necessary to maintain feasibility of the constraints is called spillage. Clearly,  $r_t$  is not handled explicitly as a decision variable; however, that has no effect on the optimal solution. This is because  $r_t$  will be zero whenever storages are within permissible levels, since no benefits arise from spilling water that can be routed through penstocks. By treating spillages as described above, the dimension of the decision vector  $\theta_t$ , (22), is reduced from  $27 \times 1$  to  $9 \times 1$ .

#### Simplified Linear Model

By using the simplifying assumptions on net losses and spillages it is possible to solve for  $u_t$  in (24), set  $r_t$  equal to zero, and use  $u_t$  (and a similarly derived expression for  $u_{t-1}$ ) into (10) and into the constraint equations (17), (18), (19), and (21) (constraint equation (20) on spillages is not written as part of the rows of the constraint matrix), to obtain the following linear programming (LP) model for the two-stage problems (dropping constant terms irrelevant to the optimization in the objective function):

$$\underset{x_t}{\text{maximize}} \quad h_t^T x_t \quad (25)$$

subject to

$$A x_t \leq b_t \quad (26)$$

$$x_{t+1} \quad x_{t-1} \text{ fixed}$$

Matrix  $A$  and vector  $b_t$  are of dimensions  $74 \times 9$  and  $74 \times 1$ , respectively, and their row components contain the constraints for months  $t$  and  $t - 1$ . The elements of  $h_t$ ,  $b_t$ , and  $A$  are functions of the relevant components appearing in (24), (10), (17), (18), (19), and (21) [Mariño and Loaiciga, 1983]. Due to their lengthy algebraic form, their exact mathematical expressions have been omitted. Of conceptual importance are the facts that one needs to maximize with respect to  $x_t$  only (a  $9 \times 1$  vector) and that the constraint matrix  $A$  is time invariant and needs to be computed once only.

#### Simplified Quadratic Model 1

Consider the case in which net losses are taken into account but the spillage assumption is maintained (use equation (7) with  $r_t$  set equal to zero). Under these conditions, the two-stage maximization problem becomes a quadratic maximization problem with a nine-dimensional unknown vector (dropping constant terms in the objective function):

$$\underset{x_t}{\text{maximize}} \quad g_t^T x_t + x_t^T G_t x_t \quad (27)$$

subject to

$$A_t^2 x_t \leq b_t^2 \quad (28)$$

$$x_{t+1} \quad x_{t-1} \text{ fixed}$$

where the vector  $g_t$  and the matrix  $G_t$  are the same as those appearing in (15) and (16), and the vector  $b_t^2$  and matrix  $A_t^2$  are of dimensions  $74 \times 1$  and  $74 \times 9$ , respectively, containing the constraint set associated with (27) [Mariño and Loaiciga, 1983]. Notice that maintaining the assumption on spillages

results in a substantial reduction of the unknown vector (from  $27 \times 1$  to  $9 \times 1$ ) but makes the constraint matrix  $A_t^2$  time variant again, forcing its recomputation for every period  $t$ ,  $t = 2, 3, \dots, 12$ .

*Simplified Quadratic Model 2*

If net losses are not considered but spillages are included explicitly in the continuity equation (see equation (24)), the two-stage problem becomes (dropping constant terms in the objective function):

$$\underset{\theta_t}{\text{maximize}} \theta_t^T H \theta_t + \hat{s}_t^T \theta_t \tag{29}$$

subject to

$$A^3 \theta_t \leq b_t^3 \tag{30}$$

$$[I, 0, 0] \theta_{t-1} \quad [I, 0, 0] \theta_{t+1} \text{ fixed}$$

with  $\theta_t$  as defined in (13).  $A^3$  and  $b_t^3$  are of dimensions  $92 \times 27$  and  $92 \times 1$ , respectively. Notice that relaxing the assumptions on spillages increases the problem dimensionality to its original size ( $27 \times 1$ ), and the introduction of the net loss assumption makes the constraint set matrix  $A^3$  time invariant. Vectors  $b_t^3$  and  $\hat{s}_t$ , and matrices  $H$  and  $A^3$ , as well as all the terms in models (22)–(23), (25)–(26), and (27)–(28) can be found in full detail in the work by Mariño and Loaiciga [1983].

Problem (29)–(30) is quadratic-linearly constrained, similar to (22)–(23), and the comments made earlier with respect to the choice of an adequate QP algorithm apply again.

APPLICATION

Analysis of net loss data for the NCVP [Mariño and Loaiciga, 1983] showed that the assumption with regard to ignoring net losses is quite appropriate for this system. Hence for the application of this study it was decided to use the linear model (25)–(26), which also treats spillages in a simplified form. A generalized quadratic model that includes net losses and spillages via constraints is given in the work by Mariño and Loaiciga [this issue]. The LP two-stage problems were solved by using a revised simplex method [Dantzig, 1963]. This variation of the standard simplex method resulted in a more efficient solution of (25)–(26) for  $t = 2, 3, \dots, 12$ . It can be shown that the storage requirements to solve the two-stage problems (25)–(26) are limited to storing the lower triangular matrix  $\Gamma_1$  (see equation (2)), the diagonal elements of  $B$ , and the vector  $a$  in (10). Recurrent formation of the vectors  $h_t$  and  $b_t$  involved elementary matrix-vector operations, and there were no numerically ill-conditioned problems. In fact, the repetitive appearance of terms in both  $h_t$  and  $b_t$  can be exploited to reduce the number of operations required to structure the LP problem (25)–(26).

The sequential optimization scheme used in this study requires an initial feasible state trajectory to start the iteration sweeps. Initial operation policies for the NCVP were developed by using a trial-and-error procedure that considers some heuristic criteria used by NCVP managers to set up their release policies. In essence, desired reservoir storages at the end of the water year are selected, and a feasible (initial) release policy that achieves those targets is chosen. As the system operation progresses through the year, actual flow conditions may lead to a revision of the ending storages selected initially. The overall philosophy is that reservoir storages must be kept high at the beginning of the dry season (usually, May) to meet increasing agricultural and Delta water requirements during the summer. Also, the operation during the rainy

season (November to March) is conservative in the sense that a substantial flood storage volume is allocated to store eventual large runoff events. Clearly, there is a trade-off between the desire to maintain the reservoir levels below some specified elevation during the rainy season and the desire to have as large a storage volume as possible at the beginning of the dry season. A general rule would be to maintain reservoir storages at high but permissible levels during the rainy season and to make large releases during the dry season. Interestingly, because most power installations in the NCVP are of the high-head type, a greater generation of power will not result from the largest releases but from some optimal reservoir elevation associated with moderate releases. The largest releases would drive reservoir levels below the range at which turbines can operate efficiently.

Two initial policies were selected for storage and corresponding releases. This was done to determine if each initial policy yields the same optimal release policy. As will be discussed later, different initial policies generally yield different optimal release policies. However, all those optimal release policies give the same value for the objective function of the model (the same annual energy generation), thus indicating the existence of multiple optimal solutions. That is a common phenomenon in linear programming and convex (as opposed to strictly convex) quadratic problems.

In the POA, the beginning and ending storage vectors  $x_1$  and  $x_{13}$ , respectively, are fixed. Vector  $x_1$  is specified at the beginning of period 1, and vector  $x_{13}$  ( $=x_{N+1}$ ) must be a value ranging from one half to two thirds of the capacities of the reservoirs. This range has been established by the NCVP managers as satisfactory from past experience acquired from the operation of the system. If desired, the value of  $x_{N+1}$  can be updated at every end of the month. This study adopted a value of  $\frac{1}{2}$  of reservoir capacity, which was not updated because it proved satisfactory, as is shown in the analysis of results below.

The sequential solution procedure can be summarized as follows. (1) The initial and final states  $x_I$  and  $x_{13}$  are fixed. Subindex  $I$  can take values 1 through 11, depending on which month the future release policy is being computed. Forecast flows for the remaining  $(13 - I)$  months, develop (or adjust) an initial feasible state trajectory  $\{x_t^{(k)}\}$ , and set the iteration counter  $k$  equal to 1 and  $t = I$ . (2) Set the time index  $t = t + 1$  and solve the LP two-stage problem (25)–(26). (3) Denote the solution of step 2 by  $x_t^*$ . Set  $x_t^{(k+1)} = x_t^*$  and go to step 2. Repeat steps 2 and 3 until a complete iteration sweep is performed ( $t = I, \dots, N$ ). This ends the  $k$ th iteration. (4) Perform a convergence test, e.g., is

$$|[(x_t^i)^{(k+1)} - (x_t^i)^{(k)}] / (x_t^i)^{(k)}| \leq 0.01$$

for all  $i$  and  $t$  ( $t = I, \dots, 12$ )? If yes, go to step 5. Otherwise, set  $k = k + 1$  (provided that a maximum iteration limit is not exceeded),  $t = I$ , and go to step 2, and (5) apply the optimal policy for current month  $I$ . Set  $I = I + 1$  and go to step 1.

*Analysis of Results*

The optimization model was tested with different streamflow conditions: below-average inflow volumes (1975–1976, total inflow of 6,057 KAF); average inflow conditions (1974–1975 and 1979–1980, total inflows of 12,198 and 13,936 KAF, respectively); and above-average conditions (1973–1974, total inflow of 20,146 KAF). This was done to determine if different initial policies under various streamflow scenarios result in distinct optimal policies. Two initial policies were developed



TABLE 2. Number of Iterations to Attain Convergence and CPU Time Requirements

Inflow Condition	Policy	Number of Iterations to Attain Convergence	Burroughs B7800 CPU Time, min
Average	1	6	6.01
1974–1975	2	9	8.94
Average	1	8	8.51
1979–1980	2	10	10.32
Below Average	1	3	2.98
1975–1976	2	3	2.79
Above Average	1	8	7.28
1973–1974			

for 1974–1975, 1975–1976, and 1979–1980, while a single initial policy was considered for 1973–1974. Due to space limitations, initial policies are not included herein. A complete set of initial policies (policies 1 and 2) for the various years under consideration is available from the authors. Development of the initial policies indicated that for below-average streamflow conditions there is little opportunity for optimizing the operation of the system, because prevailing low inflows barely meet the system's demands by releasing flows near their minimum permissible values. For both average and above-average streamflow conditions there is a larger feasible region, and the gains from the optimization model can be significant. During the winter months of an extremely wet year such as 1973–1974 the initial policy is nearly optimal because the reservoirs are at near capacity during those months, and total releases are set equal to maximum permissible flows. Under those circumstances, the optimization model allows the determination of the best feasible release policy that simultaneously minimizes the spillage and maximizes the power generation. Because the reservoirs are at a high stage after the winter, substantial improvements in energy generation can be obtained during the subsequent summer months.

Some of the initial policies were refined so as to make them near possible optimal releases whereas others were deliberately set to be poor (but feasible) initial estimates. This was done to estimate the number of iterations and CPU time needed by the POA to reach optimality. Initial policies 1 for average (1974–1975, 1979–1980) and below-average (1975–1976) inflow years were carefully refined, attempting to be near their respective optimal policies. In those cases, convergence to the optimum was attained in six to eight iterations.

In contrast, initial policies 2 for average-inflow years 1974–1975 and 1979–1980 were purposely developed to be far from good initial policies. That was accomplished by releasing heavily during wet (winter) months to maintain a year-round low head and a corresponding decrease in power generation. That is also suboptimal from the standpoint of agricultural and Delta requirements, because those demands are low in the winter and thus larger than necessary flows will be of no use. This strategy forces summer releases to be at minimum permissible levels, when an additional acre foot of water during this season has a greater marginal value than in the rainy season. Those deliberately poor initial policies resulted in an increase in the number of iterations needed to attain convergence, ranging now from eight to ten iterations. Table 2 summarizes the required iterations and CPU times for the specified initial policies and inflow conditions. It is evident that the CPU time increases as the inflow conditions vary from below average to average. That is because for below-average flow conditions, the feasible region becomes so tight that there is no freedom to optimize any policy. Any feasible initial policy will be very close to an optimal release policy. As flow volumes increase to average-flow conditions, there is a corresponding increase in CPU time. Notice that policies 2 for average flow years 1974–1975 and 1979–1980 (which were deliberately chosen to be inferior to their counterparts, policies 1) also required more CPU time. For extremely wet conditions such as water year 1973–1974, the feasible region becomes very tight during the winter and that implies a reduction in CPU time as shown in Table 2.

Optimal state trajectories (i.e., end-of-month storages) and their corresponding release policies were obtained by applying the POA to the initial policies. Tables 3 and 4 show the optimal strategies for average-flow conditions (1979–1980) corresponding to the first initial policy (policy 1). Table 4 also shows the energy produced by the optimal policy as well as the monthly water deliveries to the Delta. For Clair Engle, Shasta, and New Melones reservoirs, the optimal state policies (end-of-month storages and releases) resulting from initial policy 1 were different from those resulting from initial policy 2. For Folsom reservoir the optimal end-of-month storages and release policies were the same for initial policies 1 and 2. For the remaining five smaller reservoirs the end-of-month storages were the same for initial policies 1 and 2, but their release policies were different. The results also showed that the value of the objective function of the model (total energy gen-

TABLE 3. Optimal State Trajectory Corresponding to Initial Policy 1, 1979–1980

Month	New Melones								
	Clair Engle	Lewiston	Whiskeytown	Shasta	Keswick	Folsom	Natoma	Tullock	
Oct.	1632.0	14.7	241.0	3035.0	23.8	673.0	8.8	1600.0	60.0
Nov.	1577.2	14.7	241.0	3008.0	23.8	567.6	8.8	1462.0	57.0
Dec.	1547.8	14.7	241.0	3046.0	23.8	364.7	8.8	1337.0	57.0
Jan.	1543.7	14.7	178.1	2729.0	23.8	206.6	8.8	1185.0	57.0
Feb.	1690.8	14.7	183.4	3184.0	23.8	733.5	8.8	1253.0	57.0
Mar.	1907.6	14.7	201.7	3800.0	23.8	985.1	8.8	1303.0	60.0
Apr.	1974.7	14.7	241.0	3900.0	23.8	1000.0	8.8	1230.0	61.0
May	2080.4	14.7	241.0	4168.0	23.8	1010.0	8.8	1098.0	67.0
June	2072.7	14.7	241.0	4294.0	23.8	1010.0	8.8	1068.0	67.0
July	1969.1	14.7	241.0	4134.0	23.8	1010.0	8.8	992.0	67.0
Aug.	1808.5	14.7	241.0	3691.0	23.8	992.5	8.8	800.0	67.0
Sept.	1637.1	14.7	241.0	3187.0	23.8	798.6	8.8	536.0	67.0
Oct.	1542.6	14.7	241.0	2622.0	22.8	624.8	8.8	323.0	57.0

Storages are in kilo acre feet (1 KAF =  $1.233 \times 10^6$  m<sup>3</sup>).

TABLE 4. Optimal Energy Production, Release Policy, and Delta Releases Corresponding to Policy 1 1979–1980

Month	Clair Engle		Lewiston		Whiskeytown		Shasta		Keswick	
	Energy	Release	Energy	Release	Energy	Release	Energy	Release	Energy	Release
Oct.	33356.7	93.0	44117.3	75.0	43473.7	77.0	112078.0	300.0	35664.2	377.0
Nov.	38985.9	109.8	53999.5	91.8	53523.5	94.8	112154.2	300.0	37348.1	394.8
Dec.	31578.7	89.3	41940.8	71.3	77793.4	141.2	243955.3	664.0	76171.9	805.2
Jan.	32126.6	89.3	41940.8	71.3	41460.3	77.0	291284.0	786.0	81639.8	863.0
Feb.	33520.7	89.3	41940.8	71.3	41854.6	77.0	310729.7	786.0	81639.8	863.0
Mar.	34608.3	89.3	41940.8	71.3	42817.1	77.0	323729.8	786.0	81639.8	863.0
Apr.	35941.7	91.0	41940.8	73.0	54201.0	96.0	126111.2	300.0	37461.6	396.0
May	83426.1	209.0	112351.8	191.0	116871.0	207.0	128841.7	300.0	47962.2	507.0
June	82428.2	209.0	107057.9	182.0	105014.5	186.0	184764.0	431.0	58368.2	617.0
July	80059.3	209.0	105293.2	179.0	103885.3	184.0	281620.3	679.0	81639.8	863.0
Aug.	66386.9	180.0	88234.5	150.0	86947.5	154.0	278553.2	709.0	81639.8	863.0
Sept.	36455.7	102.0	44117.3	75.0	43473.7	77.0	289027.5	785.0	81639.8	863.0
Total	588874.9		764875.5		811315.6		2682848.9		782815.0	

Month	Folsom		Natoma		New Melones		Tullock		Delta Release
	Energy	Release	Energy	Release	Energy	Release	Energy	Release	
Oct.	53544.8	194.0	6373.6	191.4	71641.1	157.0	7165.3	60.0	628.4
Nov.	77852.2	303.0	9990.0	300.0	70422.2	160.0	7081.4	60.0	754.8
Dec.	71289.2	303.0	9990.0	300.0	85889.9	203.0	12156.5	103.0	1208.2
Jan.	118406.8	460.0	9990.0	300.0	87766.8	210.0	12982.6	110.0	1273.0
Feb.	139893.4	460.0	9990.0	300.0	90566.3	213.0	13136.4	110.0	1273.0
Mar.	147248.8	460.0	9990.0	300.0	89417.5	211.0	13341.5	110.0	1273.0
Apr.	126260.2	392.6	7745.6	232.6	88813.2	216.0	13700.3	110.0	738.6
May	131038.7	406.7	8215.1	246.7	84253.9	210.0	14007.8	110.0	863.7
June	76361.4	237.0	7792.2	234.0	82884.9	210.0	14007.8	110.0	961.0
July	63362.9	197.3	6470.2	194.3	79423.7	210.0	14007.8	110.0	1167.3
Aug.	93465.2	303.0	9990.0	300.0	70032.8	200.0	12734.4	100.0	1263.0
Sept.	86780.4	303.0	9990.0	300.0	48124.3	150.0	7361.0	60.0	1223.0
Total	1185503.9		106526.7		949236.5		141683.0		12627.0

Energy is in megawatt-hour and releases are in kilo acre feet (1 KAF = 1.233 × 10<sup>6</sup> m<sup>3</sup>). Delta releases are the sum of Keswick, Natoma, and Tullock releases. In addition to the above penstock releases, spillages are 160 KAF at Lake Natoma during January to April and 100 KAF at Tullock during October to September. Total annual energy equals 8,013,680 MWh.

erated during the year) is practically the same for release policies 1 and 2, with a difference of less than 0.17% due essentially to the effect of roundoff in the convergence test. This implies that there are multiple ways of achieving the optimum performance index.

It was found that an optimal release policy is achieved by releasing less water than the maximum possible penstock capacity. Because hydropower production depends on the storage level (the larger the head, the greater the energy production for a given discharge), an optimal release policy is a feasible trade-off point between a high head and a small release and a low head and a large release. Such a trade-off point is the optimal solution given by the POA. Because the power installations in the NCVP are of the high-head type, except Nimbus (at Natoma) and Keswick, the trade-off point is shifted towards a relatively high head with a moderate discharge.

Optimal release policies for average-flow year 1974–1975 essentially led to the same findings for 1979–1980, except that due to the slightly lower annual inflow, no spillage occurred and the annual system energy also decreased. For water year 1975–1976 with below-average streamflows, initial policies 1 and 2 were near-optimal policies. Because of tight feasible region conditions, the benefits from using the optimization model were marginal. Initial policies 1 and 2 yielded the same

optimal state and release policies. The gain in energy production (as obtained from the model) associated with both initial policies 1 and 2 was about 1%. For above-average flow year 1973–1974, with almost twice as much inflow as in 1974–1975 or 1979–1980, substantial spillage occurred. Also, the higher storage levels and greater releases that occurred in this year resulted in an increased total energy production. Figure 7 shows the relationship between total annual energy and total annual inflow, obtained from the values of the objective function computed for the water years under consideration. The energy versus volume of inflow curve, a fairly straight curve, is applicable to the range of inflow volumes depicted in Figure 7, for the given initial and final storages considered in the water years under study.

It was found from the computed results (e.g., Table 3) that the optimal state trajectories for the smaller reservoirs were to keep them full all year. That stems from the ratio of the capacities of the major reservoirs to their corresponding downstream regulating reservoirs. The largest capacity ratio of the system is 241/2448 = 10%, corresponding to Clair Engle and Whiskeytown reservoirs. When a capacity ratio becomes less than the largest capacity ratio of the system, all the state variables corresponding to downstream, smaller, regulating reservoirs can be treated as constant and equal to the maximum capacity of the regulating reservoirs. Those nodes in the

YEAR	INFLOW TO RESERVOIRS					TOTALS	
	NEW MELONES	SHASTA	FOLSOM	CLAIR ENGLE	WHISKEYTOWN	INFLOW	ENERGY
1973-74	1498	10 796	4408	2672	771	20 146	11 14
1974-75	1206	6 403	2786	1408	394	12 198	7 35
1975-76	470	3 611	1 142	695	139	6 057	4 53
1979-80	1734	6 415	3 972	1 471	344	13 936	8 01

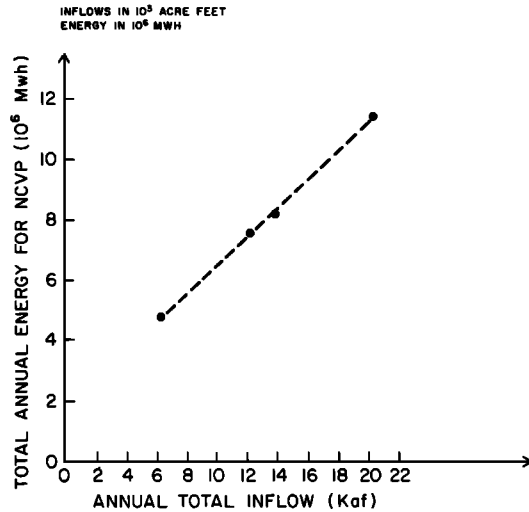


Fig. 7. Total annual energy versus total annual inflow for the NCVP.

network can thus be treated as transmission points only. The number of state variables in the NCVP system would be reduced from nine to four: Clair Engle, Shasta, Folsom, and New Melones. Care must be taken in reformulating the model in terms of the reduced number of state variables because the constraints that hold for the operation of the smaller reservoirs must still be satisfied. For example, if constraints representing penstock and spillage capacities are not observed, releases from Shasta reservoir could cause overtopping of Keswick reservoir. *Mariño and Loaiciga* [this issue] developed a model that sets the storages at the regulating reservoirs equal to the values computed in this study.

Table 5 summarizes the energy production levels obtained for water year 1979–1980 by using the optimization model and actual operation schedules. The ratio of actual energy ( $E_a$ ) and maximized energy ( $E_m$ ) varied from 29% at New Melones power plant to 72% at Shasta power plant. Those ratios

should be interpreted as an indication of the potential that exists to improve energy generation levels. For example, at New Melones, legal battles of environmental nature kept the reservoir from being filled completely and also the power plants were in complete halt during 3 months, which affected the actual power production adversely. The authors consider that the  $\psi_i$  factor (see equation (8)) as estimated by the NCVP management is probably somewhat optimistic, leading to overestimation of energy production by the optimization model. From the  $\psi_i$  factor estimate of 0.85 it can be estimated that for water year 1979–1980 there would have been a potential increase of up to 30% in power production. The actual realizable increase is definitely lower but not estimable with the available information.

Further insight into the differences between actual operation policies and those resulting from the optimization model can be gained from Figure 8, which shows actual and optimal state trajectories (for policies 1 and 2, 1979–1980) for Shasta reservoir. It is evident that substantially smaller storages are maintained from November to February in the optimal policies. That is accomplished by releasing large volumes of water through the penstocks, resulting in greater available flood control storages than in the actual operation. Thus the level of energy generation during November to February is higher with the optimal trajectory because the releases are routed through the penstocks at a larger magnitude relative to the actual operation. Also, when the high inflows of January to April occur, the actual operation follows the flow control regulations by spilling large volumes of water because the empty volume in the flood control pool is not as large as that attained with the optimal state trajectories. In March to June the optimal state trajectories maintain higher storage elevations than in the actual operation. That also results in increased energy production because energy is linearly dependent on storages, as is indicated in (8). The lower storages during March to June in the actual operation are due to water spillages that drive the reservoir level to lower stages. Those spillages reflect the conservativeness of the actual operation policy. Because they bypass the power plant, those spillages do not generate energy. In contrast, the reliance of the optimal trajectories on greater penstock outflows and smaller spillages reflects (1) the foreknowledge of future inflows (within a certain range of error) that arises from streamflow forecast and

TABLE 5. Actual ( $E_a$ ) and Maximized ( $E_m$ ) Energy Production Corresponding to Policy 2, 1979–1980

Month	Trinity Power Plant at Clair Engle		Judge Francis Carr Power Plant		Spring Creek Power Plant		Shasta Power Plant		Keswick Power Plant		Folsom Power Plant		Nimbus Power Plant at Lake Natoma		New Melones Power Plant	
	Actual	Max.	Actual	Max.	Actual	Max.	Actual	Max.	Actual	Max.	Actual	Max.	Actual	Max.	Actual	Max.
Oct.	30.4	73.9	36.8	112.4	42.3	109.0	76.5	112.1	19.0	46.6	37.7	53.5	4.6	6.4	...	71.6
Nov.	9.6	71.2	4.8	112.4	19.5	109.5	89.6	126.2	20.7	50.3	41.3	77.9	4.7	10.0	...	70.4
Dec.	17.1	61.4	15.4	98.5	19.2	98.5	111.1	251.3	23.2	81.6	37.2	71.3	4.7	10.0	...	68.1
Jan.	6.2	29.7	...	41.9	23.9	77.2	237.4	266.9	47.6	81.6	107.0	118.4	8.7	10.0	19.6	81.9
Feb.	17.7	31.1	3.4	41.9	55.3	41.8	209.9	310.7	39.2	81.6	84.3	139.9	6.7	10.0	23.6	92.1
Mar.	73.4	32.2	78.2	41.9	99.5	42.8	228.3	323.7	49.9	81.6	130.0	147.2	10.6	10.0	47.8	90.9
Apr.	44.9	32.9	53.5	41.9	54.7	53.2	112.9	126.1	29.0	37.3	99.8	126.3	9.7	7.7	55.8	90.4
May	21.2	33.7	21.2	41.9	18.6	49.3	164.4	128.8	33.7	36.6	82.0	131.0	9.1	8.2	39.5	85.8
June	51.5	75.3	55.2	101.2	59.6	99.4	212.9	129.5	47.3	45.0	66.6	76.4	7.6	7.8	23.3	84.4
July	54.3	39.4	57.2	44.7	57.2	45.7	237.9	307.5	52.2	77.0	84.4	63.4	9.7	6.5	38.5	80.9
Aug.	75.7	37.6	87.2	42.9	85.9	43.5	165.7	310.2	43.6	81.6	35.6	93.5	4.3	10.0	22.1	74.9
Sept.	71.1	36.5	84.7	44.2	88.6	43.5	86.8	289.0	29.3	81.6	40.5	86.8	4.6	10.0	9.0	64.8
Total	473.1	817.5	497.6	765.9	624.3	813.7	1933.4	2682.2	434.7	782.8	846.4	1185.5	85.0	106.5	279.2	956.5
$E_a/E_m$	0.58		0.65		0.77		0.72		0.56		0.71		0.80		0.29	

Power plant was not in operation where no values are shown. Values are in megawatt-hour.

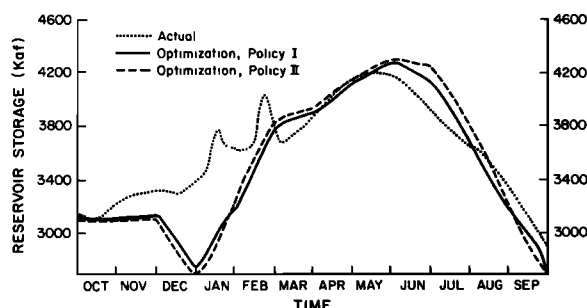


Fig. 8. Operation of Shasta reservoir, water year 1979-1980.

(2) the knowledge that for a given release, the higher the storage level the higher the energy generation rate. During July to September there is a steady drawdown of the reservoir storage level in the actual and optimal policies, reflecting increased demands for water and energy during the summer. Because the optimal state trajectories start at a higher elevation in July and end at a slightly lower level in September than the actual policy, the rate of water release during this period is higher for the optimal policies. That results in a greater generation of energy for the optimal policies in the summer as is evident in Table 5. Optimal policies 1 and 2 follow a similar pattern throughout the year and result in the same total energy production. The actual state trajectory shows high peaks in January and February that are due to short-term floods that raise the reservoir level for a few days. Those floods are partly spilled and do not contribute to energy generation at the reservoir power plant. Those short-term high flood events are not well captured within the monthly period framework, resulting in an overestimation of energy production of approximately 2% during such high-inflow months. These findings are also applicable to the other major reservoirs.

Benefits of the optimization model can also be measured in terms of increased water deliveries to downstream users. For example, the Delta requires a delivery of 3,850 KAF of water per year. Optimal release policies indicated a total annual release of 12,627 KAF (for 1979-1980), more than 3 times the required amount. For May to August, when most agricultural activities take place, additional water could be supplied for leaching and crop growing purposes. The Delta requirements for May to August are about 2,698 KAF. For the same period, optimal releases indicated that 4,813 KAF were delivered in 1979-1980. This suggests the possibility of a conjunctive use of surface water and groundwater reservoirs. Also, with increased deliveries, cultivated areas could be expanded or better leaching of salts might be achieved, resulting in an expanded economic output. Fish spawning, water quality, and navigation would also benefit from increased water deliveries.

### CONCLUSIONS

Several conclusions can be drawn from this study.

1. It is possible to increase the annual energy production of the system for below-average, average, and above-average inflow conditions by using the proposed model relative to current operational criteria.
2. Delta and agricultural water deliveries can be increased by adopting the optimal release policies. This suggests the possibility of increasing irrigated areas, providing better leaching of agricultural fields, and improving conjunctive management of surface water and groundwater reservoirs.
3. Much of the improvement achieved by the optimal op-

eration policies developed in this study relative to the actual implemented operation schedules is due to (1) an accurate river inflow forecasting technique, (2) a highly conservative set of flood control provisions currently enforced in the operation of the NCPV, and (3) an integrative analysis, intrinsic in the optimization model, that allows to represent all the links and constraints that act simultaneously and interactively within the system. Clearly, this integral conceptualization cannot be achieved by a heuristic approach based solely on experience.

4. The improved performance reported by the use of the optimization model should be viewed as an upper bound to the possible gains that could be derived from the use of mathematical models. Also, the more knowledgeable the system managers become with reservoir optimization models, the closer the performance of the system will be to the upper bounds obtained under the conditions assumed by the models. Clearly, the use of mathematical models and the better understanding that emanates from their use should result in a feedback to the models, with their probable reformulation and modification that would bring closer the unpleasant difficulties of any real world system and the simplifications inherent to any mathematical model.

*Acknowledgments.* The research leading to this report was supported by the University of California, Water Resources Center, as part of Water Resources Center Project UCAL-WRC-W-634. We thank G. Link of the Central Valley Operations Office, U.S. Bureau of Reclamation, Sacramento, for his valuable assistance in providing data and explanations with regard to the operation of the California Central Valley Project.

### REFERENCES

- Becker, L., and W. W.-G. Yeh, Optimization of real-time operation of a multiple-reservoir system, *Water Resour. Res.*, 10(6), 1107-1112, 1974.
- Bertsekas, D. I., *Dynamic Programming and Stochastic Control*, Academic, New York, 1976.
- Bras, R. L., R. Buchanan, and K. C. Curry, Real time adaptive closed loop control of reservoirs with the High Aswan Dam as a case study, *Water Resour. Res.*, 19(1), 33-52, 1983.
- Colorni, A., and G. Fronza, Reservoir management via reliability programming, *Water Resour. Res.*, 12(1), 85-88, 1976.
- Dantzig, G. B., *Linear Programming and Extensions*, Princeton University Press, N. J., 1963.
- Fletcher, R., *Practical Methods of Optimization*, vol. 2, *Constrained Optimization*, John Wiley, New York, 1981.
- Fults, D. M., and L. F. Hancock, Optimum operations model for Shasta-Trinity system, *J. Hydraul. Div. Am. Soc. Civ. Eng.*, 98(HY9), 1497-1514, 1972.
- Fults, D. M., L. F. Hancock, and G. R. Logan, A practical monthly optimum operations model, *J. Water Resour. Plann. Manage. Div. Am. Soc. Civ. Eng.*, 102(WR1), 63-76, 1976.
- Gill, P. E., and W. Murray, Linearly-constrained problems including linear and quadratic programming, in *The State of the Art in Numerical Analysis*, edited by D. Jacobs, Academic, New York, 1977.
- Hall, W. A., R. C. Harboe, W. W.-G. Yeh, and A. J. Askew, Optimum firm power output from a two reservoir system by incremental dynamic programming, *Water Resour. Cent. Contrib. 130*, Univ. of Calif., Los Angeles, 1969.
- Heidari, M., V. T. Chow, P. V. Kokotovic, and D. D. Meredith, Discrete differential dynamic programming approach to water resources systems optimization, *Water Resour. Res.*, 7(2), 273-282, 1971.
- Hicks, R. H., C. R. Gagnon, and S. L. S. Jacoby, Large scale, nonlinear optimization of energy capability for the Pacific Northwest hydroelectric system, paper presented at the IEEE PES Winter Meeting, Inst. of Electr. and Elec. Eng. Power Eng. Soc., New York, 1974.
- Howson, H. R., and N. G. F. Sancho, A new algorithm for the solution of multi-state dynamic programming problems, *Math. Program.*, 8, 104-116, 1975.
- Larson, R. E., and W. G. Keckler, Applications of dynamic program-

- ming to the control of water resources systems, *Automatica*, 15, 15–26, 1969.
- Larson, R. E., and A. J. Korsak, A dynamic programming successive approximations technique with convergence proofs, *Automatica*, 6, 245–252, 1970.
- Liu, C., and A. C. Tedrow, Multilake river system operation rules, *J. Hydraul. Div. Am. Soc. Civ. Eng.*, 99(HY9), 1369–1381, 1973.
- Mariño, M. A., and H. A. Loaiciga, Optimization of reservoir operation with applications to the northern California Central Valley Project, *Water Sci. and Eng. Pap. 3013*, 444 pp., Dept. of Land, Air, and Water Resour., Univ. of Calif., Davis, 1983.
- Mariño, M. A., and H. A. Loaiciga, Quadratic model for reservoir management: Application to the Central Valley Project, *Water Resour. Res.*, this issue.
- Mariño, M. A., and H. A. Loaiciga, Planning model for the operation of a multireservoir system, paper presented at Proceedings of 5th World Congress on Water Resources, International Water Resour. Assoc., Brussels, Belgium, June 9–15, 1985.
- Mariño, M. A., and B. Mohammadi, Reservoir management: A reliability programming approach, *Water Resour. Res.*, 19(3), 613–620, 1983.
- Murray, D. M., and S. Yakowitz, Constrained differential dynamic programming and its application to multireservoir control, *Water Resour. Res.*, 15(5), 1017–1027, 1979.
- ReVelle, C., E. Joeres, and W. Kirby, The linear decision rule in reservoir management and design, 1, Development of the stochastic model, *Water Resour. Res.*, 5(4), 767–777, 1969.
- Simonovic, S. P., and M. A. Mariño, Reliability programming in reservoir management, 3, System of multipurpose reservoirs, *Water Resour. Res.*, 18(4), 735–743, 1982.
- Takeuchi, T., and D. H. Moreau, Optimal control of multiunit inter-basin water systems, *Water Resour. Res.*, 10(3), 407–414, 1974.
- Turgeon, A., Optimal short-term hydro scheduling from the principle of progressive optimality, *Water Resour. Res.*, 17(3), 481–486, 1981.
- Turgeon, A., An improved incremental dynamic programming algorithm, working paper, Hydro-Québec, Varennes, Canada, 1982.
- Yazicigil, H., M. H. Houck, and G. Toebes, Daily operation of a multipurpose reservoir system, *Water Resour. Res.*, 19(1), 1–14, 1983.
- Yeh, W. W-G., L. Becker, and W. S. Chu, Optimization of real-time hourly operations of a complex, multiple purpose reservoir system, *Eng. Rep. UCLA-Eng-7807*, Univ. of Calif., Los Angeles, 1978.
- Yeh, W. W-G., and L. Becker, Multiobjective analysis of multireservoir operations, *Water Resour. Res.*, 18(5), 1326–1336, 1982.

---

H. A. Loaiciga and M. A. Mariño, Department of Land, Air, and Water Resources, University of California, Davis, CA 95616.

(Received December 12, 1983;  
revised December 11, 1984;  
accepted December 11, 1984.)